

### TECHNICAL DATA SHEET

#### DESCRIPTION

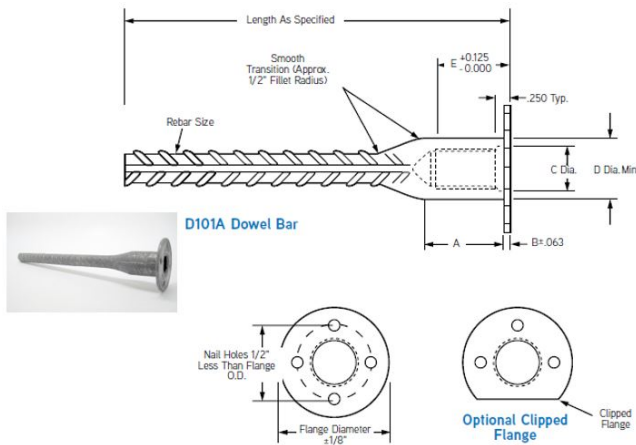
The D101A DB Dowel Bar is a Full-Ultimate rebar coupler used to connect rebar. It consists of an integral, nailing flange, a coupler forged from the end of the rebar, parallel and female threads.

#### APPLICATION

The D101A Dowel Bar (DB), is used to connect rebar between segmental, concrete pouring. It may be attached to formwork through the integral nailing flange.

#### PRODUCT SPECIFICATION

- Rebar sizes #4 (13mm) through #11(36mm)
- Available with clipped or full flange
- Available in plain, epoxy coated, or galvanized finish
- Available in carbon, weldable, chromium, or stainless steel



#### FEATURES

- Ability to use the flange and nails to attach the system to formwork
- Available in standard and customized lengths
- DBDI, Full Ultimate, parallel threads

#### BENEFITS

- Easier to use and up to 25% faster installation
- Saves \$'s in form repair costs by not requiring a rebar through-hole
- Compliance to all building specifications

#### HOW TO SPECIFY

Specific:  
Mechanical connections shall be DBDI® Rebar Splices as manufactured by Dayton Superior Corp.

#### Generic:

The mechanical connection shall meet building code requirements of developing in tension and compression as required by \_\_\_\_\_ (insert name here). The mechanical connection shall be the forged and parallel threaded type coupler manufactured from high quality steel. All couplers shall be installed per the manufacturer's approved procedures.

#### TECHNICAL DATA

Bar Size Designation	Metric (mm)	CN (M)	Thread Size	A	B	C	D	E	Flange Diameter	100% P <sub>0</sub>
#4	[13]	[10]	5/8" - 11 UNC	1-1/16"	1/8"	11/16"	55/64"	1"	1-7/8"	18,000
#5	[16]	[15]	3/4" - 10 UNC	1-9/16"	1/8"	13/16"	1-3/64"	1-1/8"	2-1/16"	27,900
#6	[19]	[20]	7/8" - 9 UNC	1-11/16"	1/8"	15/16"	1-15/64"	1-1/4"	2-1/4"	39,600
#7	[22]	-	1" - 8 UNC	1-27/32"	1/8"	1-1/16"	1-27/64"	1-3/8"	2-7/16"	54,000
#8	[25]	[25]	1-1/8" - 8 UN	2-1/16"	1/8"	1-3/16"	1-19/32"	1-1/2"	2-5/8"	71,100
#9	[29]	[30]	1-1/4" - 8 UN	2-3/16"	1/8"	1-5/16"	1-25/32"	1-5/8"	2-13/16"	90,000
#10	[32]	-	1-7/16" - 8 UN	2-7/16"	1/8"	1-1/2"	2"	1-13/16"	3"	114,000
#11	[36]	[35]	1-9/16" - 8 UN	2-9/16"	1/8"	1-5/8"	2-7/32"	1-15/16"	3-1/4"	140,400

R<sub>0</sub> = Minimum Tensile Strength of bar.

Bar Size Designation	Metric (mm)	CN (M)	D101A Min MFG. Length DB-SAE
#4	[13]	[10]	12"
#5	[16]	[15]	14"
#6	[19]	[20]	16"
#7	[22]	-	16"
#8	[25]	[25]	16"
#9	[29]	[30]	16"
#10	[32]	-	16"
#11	[36]	[35]	16"

NOTE: To be manufactured as Single End

NOTE: No. 4, 5, and 6 splicers, 18", 24", and 36" long will usually have a stamped metal plug to protect threads; all other sizes will have a plastic cap plug.

#### APPROVALS / COMPLIANCE

- ACI 318-II Type 2
- ICC AC-133
- Caltrans Ultimate Splice
- Ministries of Transportation, Canada
- Army Corps of Engineers CW 03210
- State Departments of Transportation
- AASHTO
- International Building Code
- City of Los Angeles Department of Building and Safety RR 25922
- IAPMO ER-319

#### INSTALLATION

1. Insert male DI coupler into a female, DB coupler
2. Rotate the male threaded rebar clockwise until the threads of the male bar interlock with the threads of the female coupler, making sure the connection is hand-tight.
3. If required, the system can be unthreaded up to one full rotation, but at no time should a wrench be used to torque the connection.

#### RELATED PRODUCTS

- D101 DI threaded dowel
- D081 DBDI thread protector

#### HOW TO ORDER

- Specify: (1) quantity, (2) name, (3) bar size, (4) length, (5) rebar

Example: 500, D101A DB Dowel bar, #5 x 30" long, epoxy coated, A615 Grade 60

## TECHNICAL DATA SHEET

### ORDERING INFORMATION

#### #4 - ASTM A615 GR 60 - PLAIN

Product Code	Description	Weight
78190	4 X 18"	1.2 LB
144107	4 X 54"	3.201 LB
78206	4 X 60"	3.53 LB
144108	4 X 66"	3.869 LB
78152	4 X 72"	4.2 LB
78154	4 X 78"	4.68 LB
144109	4 X 84"	4.871 LB
144685	4 X 90"	5.205 LB
144110	4 X 96"	5.539 LB
144111	4 X 102"	5.873 LB
144693	4 X 108"	6.207 LB
144694	4 X 114"	6.541 LB
144761	4 X 120"	6.875 LB

#### #5 - ASTM A615 GR 60 - PLAIN

Product Code	Description	Weight
78264	5 X 12"	1.35 LB
144112	5 X 54"	4.998 LB
78297	5 X 60"	5.52 LB
144113	5 X 66"	6.041 LB
78223	5 X 72"	6.56 LB
144759	5 X 78"	7.084 LB
144684	5 X 84"	7.605 LB
144686	5 X 90"	8.127 LB
144114	5 X 96"	8.648 LB
144115	5 X 102"	9.17 LB
144116	5 X 108"	9.691 LB
144695	5 X 114"	10.213 LB

#### #6 - ASTM A615 GR 60 - PLAIN

Product Code	Description	Weight
78355	6 X 18"	2.63 LB
78363	6 X 36"	4.88 LB
144117	6 X 54"	7.135 LB
78375	6 X 60"	7.88 LB
144118	6 X 66"	8.637 LB
78311	6 X 72"	9.39 LB
144119	6 X 78"	10.139 LB
144120	6 X 84"	10.89 LB
144687	6 X 90"	11.641 LB
144121	6 X 96"	12.392 LB
144122	6 X 102"	13.143 LB
144123	6 X 108"	13.894 LB
144696	6 X 114"	14.645 LB

#### #7 - ASTM A615 GR 60 - PLAIN

Product Code	Description	Weight
78400	7 X 18"	3.57 LB
144124	7 X 66"	11.753 LB
78416	7 X 72"	12.78 LB
78417	7 X 78"	13.8 LB
144125	7 X 84"	14.819 LB
144688	7 X 90"	15.841 LB
144126	7 X 96"	16.863 LB
144127	7 X 102"	17.885 LB
144128	7 X 108"	18.907 LB
144697	7 X 114"	19.929 LB
78418	7 X 120"	20.95 LB

#### #8 - ASTM A615 GR 60 - PLAIN

Product Code	Description	Weight
144156	8 X 12"	3.338 LB
78456	8 X 36"	8.7 LB
78459	8 X 42"	10.04 LB
78460	8 X 48"	11.37 LB
78462	8 X 54"	12.71 LB
78463	8 X 60"	14.05 LB
144683	8 X 66"	15.353 LB
78465	8 X 72"	16.73 LB
78467	8 X 78"	18.02 LB
144129	8 X 84"	19.358 LB
144689	8 X 90"	20.693 LB
144130	8 X 96"	22.028 LB
144131	8 X 102"	23.363 LB
144132	8 X 108"	24.698 LB
144698	8 X 114"	26.033 LB

#### #9 - ASTM A615 GR 60 - PLAIN

Product Code	Description	Weight
143177	9 X 18"	5.94 LB
144133	9 X 66"	19.55 LB
78509	9 X 72"	21.23 LB
78511	9 X 78"	22.95 LB
144134	9 X 84"	24.65 LB
144690	9 X 90"	26.35 LB
144135	9 X 96"	28.05 LB
144136	9 X 102"	29.75 LB
144137	9 X 108"	31.45 LB
144699	9 X 114"	33.15 LB

#### #10 - ASTM A615 GR 60 - PLAIN

Product Code	Description	Weight
144138	10 X 18"	7.53 LB
144139	10 X 24"	9.682 LB
144140	10 X 30"	11.833 LB
78607	10 X 36"	14 LB
144760	10 X 42"	16.136 LB
144141	10 X 66"	24.742 LB
144691	10 X 90"	33.348 LB
144142	10 X 96"	35.5 LB
144143	10 X 102"	37.651 LB
144144	10 X 108"	39.803 LB
144700	10 X 114"	41.954 LB
78540	10 X 120"	44.11 LB

### TECHNICAL DATA SHEET

#### #11 - ASTM A615 GR 60 - PLAIN

Product Code	Description	Weight
144148	11 X 12"	6.641 LB
144145	11 X 18"	9.298 LB
144146	11 X 24"	11.954 LB
144147	11 X 30"	14.611 LB
78610	11 X 36"	17.28 LB
144682	11 X 54"	25.237 LB
144150	11 X 84"	38.519 LB
144692	11 X 90"	41.176 LB
144151	11 X 96"	43.832 LB
144152	11 X 102"	46.489 LB
144153	11 X 108"	49.145 LB
144701	11 X 114"	51.802 LB
78577	11 X 120"	54.46 LB

#### #4 - ASTM A615 GR 60 - EPOXY

Product Code	Description	Weight
144225	4 X 12"	0.863 LB
78192	4 X 18"	1.2 LB
78197	4 X 24"	1.54 LB
78199	4 X 30"	1.88 LB
78203	4 X 36"	2.21 LB
124075	4 X 42"	2.55 LB
143068	4 X 48"	2.88 LB
144226	4 X 54"	3.201 LB
78207	4 X 60"	3.53 LB
144227	4 X 66"	3.869 LB
124076	4 X 72"	4.2 LB
144228	4 X 78"	4.537 LB
144229	4 X 84"	4.871 LB
144703	4 X 90"	5.205 LB
144230	4 X 96"	5.539 LB
144231	4 X 102"	5.873 LB
144232	4 X 108"	6.207 LB
144711	4 X 114"	6.541 LB
144297	4 X 120"	6.875 LB

#### #5 - ASTM A615 GR 60 - EPOXY

Product Code	Description	Weight
144233	5 X 12"	1.347 LB
78268	5 X 18"	1.87 LB
78274	5 X 24"	2.39 LB
78280	5 X 30"	2.91 LB
78286	5 X 36"	3.44 LB
78291	5 X 42"	3.96 LB
78296	5 X 48"	4.48 LB
144234	5 X 54"	4.998 LB
124083	5 X 60"	5.52 LB
144235	5 X 66"	6.041 LB
124077	5 X 72"	6.56 LB
144236	5 X 78"	7.084 LB
144237	5 X 84"	7.605 LB
144704	5 X 90"	8.127 LB
144238	5 X 96"	8.648 LB
144239	5 X 102"	9.17 LB
144240	5 X 108"	9.691 LB
144712	5 X 114"	10.213 LB
144298	5 X 120"	10.734 LB

#### #6 - ASTM A615 GR 60 - EPOXY

Product Code	Description	Weight
144241	6 X 12"	1.878 LB
78356	6 X 18"	2.63 LB
143096	6 X 24"	3.38 LB
78361	6 X 30"	4.13 LB
78366	6 X 36"	4.88 LB
78369	6 X 42"	5.63 LB
78373	6 X 48"	6.38 LB
144242	6 X 54"	7.135 LB
125026	6 X 60"	7.88 LB
144243	6 X 66"	8.637 LB
124079	6 X 72"	9.39 LB
144244	6 X 78"	10.139 LB
144245	6 X 84"	10.89 LB
144705	6 X 90"	11.641 LB
144246	6 X 96"	12.392 LB
144247	6 X 102"	13.143 LB
144248	6 X 108"	13.894 LB
144713	6 X 114"	14.645 LB
144299	6 X 120"	15.396 LB

#### #7 - ASTM A615 GR 60 - EPOXY

Product Code	Description	Weight
144249	7 X 12"	2.555 LB
78401	7 X 18"	3.57 LB
78404	7 X 24"	4.59 LB
78619	7 X 30"	5.61 LB
78409	7 X 36"	6.63 LB
124080	7 X 42"	7.65 LB
78413	7 X 48"	8.67 LB
124081	7 X 54"	9.69 LB
78415	7 X 60"	10.71 LB
144250	7 X 66"	11.753 LB
124082	7 X 72"	12.78 LB
144251	7 X 78"	13.797 LB
144252	7 X 84"	14.819 LB
144706	7 X 90"	15.841 LB
144253	7 X 96"	16.863 LB
144254	7 X 102"	17.885 LB
144255	7 X 108"	18.907 LB
144714	7 X 114"	19.929 LB
144300	7 X 120"	20.951 LB

## TECHNICAL DATA SHEET

### #8 - ASTM A615 GR 60 - EPOXY

Product Code	Description	Weight
144256	8 X 12"	3.338 LB
143135	8 X 18"	4.68 LB
143138	8 X 24"	6.02 LB
78455	8 X 30"	7.36 LB
78457	8 X 36"	8.7 LB
143159	8 X 42"	10.04 LB
78461	8 X 48"	11.37 LB
143161	8 X 54"	12.71 LB
78464	8 X 60"	14.05 LB
144257	8 X 66"	15.353 LB
78466	8 X 72"	16.73 LB
144258	8 X 78"	18.023 LB
144259	8 X 84"	19.358 LB
144707	8 X 90"	20.693 LB
144260	8 X 96"	22.028 LB
144261	8 X 102"	23.363 LB
144262	8 X 108"	24.698 LB
144715	8 X 114"	26.033 LB
144301	8 X 120"	27.368 LB

### #10 - ASTM A615 GR 60 - EPOXY

Product Code	Description	Weight
144270	10 X 12"	5.379 LB
144271	10 X 18"	7.53 LB
144272	10 X 24"	9.682 LB
144273	10 X 30"	11.883 LB
143227	10 X 36"	14 LB
144274	10 X 42"	16.136 LB
143229	10 X 48"	18.31 LB
143231	10 X 54"	20.46 LB
143243	10 X 60"	22.62 LB
144275	10 X 66"	24.742 LB
143245	10 X 72"	26.93 LB
143258	10 X 78"	29.08 LB
143259	10 X 84"	31.23 LB
144709	10 X 90"	33.348 LB
144276	10 X 96"	35.5 LB
144277	10 X 102"	37.651 LB
144278	10 X 108"	39.803 LB
144717	10 X 114"	41.954 LB
144303	10 X 120"	44.106 LB

### #9 - ASTM A615 GR 60 - EPOXY

Product Code	Description	Weight
144263	9 X 12"	4.25 LB
143178	9 X 18"	5.94 LB
143181	9 X 24"	7.64 LB
143184	9 X 30"	9.34 LB
143187	9 X 36"	11.04 LB
143205	9 X 42"	12.74 LB
143207	9 X 48"	14.43 LB
143210	9 X 54"	16.13 LB
78508	9 X 60"	17.83 LB
144264	9 X 66"	19.55 LB
78510	9 X 72"	21.23 LB
144265	9 X 78"	22.95 LB
144266	9 X 84"	24.65 LB
144708	9 X 90"	26.35 LB
144267	9 X 96"	28.05 LB
144268	9 X 102"	29.75 LB
144269	9 X 108"	31.45 LB
144716	9 X 114"	33.15 LB
144302	9 X 120"	34.85 LB

### #11 - ASTM A615 GR 60 - EPOXY

Product Code	Description	Weight
144279	11 X 12"	6.641 LB
144280	11 X 18"	9.298 LB
144281	11 X 24"	11.954 LB
144282	11 X 30"	14.611 LB
143261	11 X 36"	17.28 LB
144283	11 X 42"	19.924 LB
143263	11 X 48"	22.59 LB
144284	11 X 54"	25.237 LB
143277	11 X 60"	27.91 LB
143279	11 X 64"	29.68 LB
143281	11 X 72"	33.23 LB
143295	11 X 78"	35.88 LB
144285	11 X 84"	38.519 LB
144710	11 X 90"	41.176 LB
144286	11 X 96"	43.832 LB
144287	11 X 102"	46.489 LB
144288	11 X 108"	49.145 LB
144718	11 X 114"	51.802 LB
144304	11 X 120"	54.458 LB

### #4 - ASTM A706 GR 60 - PLAIN

Product Code	Description	Weight
144383	4 X 12"	0.863 LB
144384	4 X 54"	3.201 LB
144385	4 X 60"	3.535 LB
144386	4 X 66"	3.869 LB
144387	4 X 72"	4.203 LB
144388	4 X 78"	4.537 LB
144389	4 X 84"	4.871 LB
144719	4 X 90"	5.209 LB
144390	4 X 96"	5.539 LB
144391	4 X 102"	5.873 LB
144392	4 X 108"	6.207 LB
144727	4 X 114"	6.541 LB
144393	4 X 120"	6.875 LB

### TECHNICAL DATA SHEET

#### #5 - ASTM A706 GR 60 - PLAIN

Product Code	Description	Weight
144394	5 X 12"	1.347 LB
144395	5 X 54"	4.998 LB
129051	5 X 60"	5.52 LB
144396	5 X 66"	6.041 LB
144397	5 X 72"	6.562 LB
144398	5 X 78"	7.084 LB
144399	5 X 84"	7.605 LB
144720	5 X 90"	8.127 LB
144400	5 X 96"	8.648 LB
144401	5 X 102"	9.17 LB
144402	5 X 108"	9.691 LB
144728	5 X 114"	10.213 LB

#### #6 - ASTM A706 GR 60 - PLAIN

Product Code	Description	Weight
129060	6 X 18"	2.63 LB
144405	6 X 54"	7.135 LB
129064	6 X 60"	7.88 LB
144406	6 X 66"	8.637 LB
144407	6 X 72"	9.388 LB
144408	6 X 78"	10.139 LB
144409	6 X 84"	10.89 LB
144721	6 X 90"	11.641 LB
144410	6 X 96"	12.392 LB
144411	6 X 102"	13.143 LB
144412	6 X 108"	13.894 LB
144729	6 X 114"	14.645 LB

#### #7 - ASTM A706 GR 60 - PLAIN

Product Code	Description	Weight
143569	7 X 18"	3.57 LB
144415	7 X 66"	11.753 LB
144416	7 X 72"	12.775 LB
144417	7 X 78"	13.797 LB
144418	7 X 84"	14.819 LB
144722	7 X 90"	15.841 LB
144419	7 X 96"	16.863 LB
144420	7 X 102"	17.885 LB
144421	7 X 108"	18.907 LB
144730	7 X 114"	19.929 LB
144422	7 X 120"	20.951 LB

#### #8 - ASTM A706 GR 60 - PLAIN

Product Code	Description	Weight
144423	8 X 12"	3.338 LB
144424	8 X 66"	15.353 LB
143146	8 X 72"	16.73 LB
144425	8 X 78"	18.023 LB
144426	8 X 84"	19.358 LB
144723	8 X 90"	20.693 LB
144427	8 X 96"	22.028 LB
144428	8 X 102"	23.363 LB
144429	8 X 108"	24.698 LB
144731	8 X 114"	26.033 LB

#### #9 - ASTM A706 GR 60 - PLAIN

Product Code	Description	Weight
143188	9 X 18"	5.94 LB
144432	9 X 66"	19.55 LB
129083	9 X 72"	21.23 LB
144433	9 X 78"	22.95 LB
144434	9 X 84"	24.65 LB
144724	9 X 90"	26.35 LB
144435	9 X 96"	28.05 LB
144436	9 X 102"	29.75 LB
144437	9 X 108"	31.45 LB
144732	9 X 114"	33.15 LB

#### #10 - ASTM A706 GR 60 - PLAIN

Product Code	Description	Weight
144440	10 X 18"	7.53 LB
144441	10 X 24"	9.682 LB
144442	10 X 30"	11.833 LB
129094	10 X 36"	14 LB
144443	10 X 42"	16.136 LB
144444	10 X 66"	24.742 LB
144725	10 X 90"	33.348 LB
144445	10 X 96"	35.5 LB
144446	10 X 102"	37.651 LB
144447	10 X 108"	39.803 LB
144733	10 X 114"	41.954 LB
144448	10 X 120"	44.106 LB

#### #11 - ASTM A706 GR 60 - PLAIN

Product Code	Description	Weight
144449	11 X 12"	6.641 LB
144450	11 X 18"	9.298 LB
144451	11 X 24"	11.954 LB
144452	11 X 30"	14.611 LB
143265	11 X 36"	17.28 LB
144454	11 X 54"	25.237 LB
144455	11 X 84"	38.519 LB
144726	11 X 90"	41.176 LB
144456	11 X 96"	43.832 LB
144457	11 X 102"	46.489 LB
144458	11 X 108"	49.145 LB
144734	11 X 114"	51.802 LB
144459	11 X 120"	54.458 LB

#### #4 - ASTM A706 GR 60 - EPOXY

Product Code	Description	Weight
144537	4 X 12"	0.863 LB
144538	4 X 54"	3.201 LB
144539	4 X 60"	3.535 LB
144540	4 X 66"	3.869 LB
144541	4 X 72"	4.203 LB
144542	4 X 78"	4.537 LB
144543	4 X 84"	4.871 LB
144735	4 X 90"	5.205 LB
144544	4 X 96"	5.539 LB
144545	4 X 102"	5.873 LB
144546	4 X 108"	6.207 LB
144743	4 X 114"	6.541 LB
144547	4 X 120"	6.875 LB

## TECHNICAL DATA SHEET

### #5 - ASTM A706 GR 60 - EPOXY

Product Code	Description	Weight
144548	5 X 12"	1.347 LB
144549	5 X 54"	4.998 LB
143087	5 X 60"	5.52 LB
144550	5 X 66"	6.041 LB
144551	5 X 72"	6.562 LB
144552	5 X 78"	7.084 LB
144553	5 X 84"	7.605 LB
144736	5 X 90"	8.127 LB
144554	5 X 96"	8.648 LB
144555	5 X 102"	9.17 LB
144556	5 X 108"	9.691 LB
144744	5 X 114"	10.213 LB

### #6 - ASTM A706 GR 60 - EPOXY

Product Code	Description	Weight
143097	6 X 18"	2.63 LB
144559	6 X 54"	7.135 LB
143103	6 X 60"	7.88 LB
144560	6 X 66"	8.637 LB
144561	6 X 72"	9.388 LB
144562	6 X 78"	10.139 LB
144563	6 X 84"	10.89 LB
144737	6 X 90"	11.641 LB
144564	6 X 96"	12.392 LB
144565	6 X 102"	13.143 LB
144566	6 X 108"	13.894 LB
144745	6 X 114"	14.645 LB

### #7 - ASTM A706 GR 60 - EPOXY

Product Code	Description	Weight
143116	7 X 18"	3.57 LB
144569	7 X 66"	11.753 LB
144570	7 X 72"	12.775 LB
144571	7 X 78"	13.797 LB
144572	7 X 84"	14.819 LB
144738	7 X 90"	15.841 LB
144573	7 X 96"	16.863 LB
144574	7 X 102"	17.885 LB
144575	7 X 108"	18.907 LB
144746	7 X 114"	19.929 LB
144576	7 X 120"	20.951 LB

### #8 - ASTM A706 GR 60 - EPOXY

Product Code	Description	Weight
144577	8 X 12"	3.338 LB
144578	8 X 66"	15.353 LB
143155	8 X 72"	16.73 LB
144579	8 X 78"	18.023 LB
144580	8 X 84"	19.358 LB
144739	8 X 90"	20.693 LB
144581	8 X 96"	22.028 LB
144582	8 X 102"	23.363 LB
144583	8 X 108"	24.698 LB
144747	8 X 114"	26.033 LB

### #9 - ASTM A706 GR 60 - EPOXY

Product Code	Description	Weight
143194	9 X 18"	5.94 LB
144586	9 X 66"	19.55 LB
143202	9 X 72"	21.23 LB
144587	9 X 78"	22.95 LB
144588	9 X 84"	24.65 LB
144740	9 X 90"	26.35 LB
144589	9 X 96"	28.05 LB
144590	9 X 102"	29.75 LB
144591	9 X 108"	31.45 LB
144748	9 X 114"	33.15 LB

### #10 - ASTM A706 GR 60 - EPOXY

Product Code	Description	Weight
144594	10 X 18"	7.53 LB
144595	10 X 24"	9.682 LB
144596	10 X 30"	11.883 LB
143234	10 X 36"	14 LB
144597	10 X 42"	16.136 LB
144598	10 X 66"	24.742 LB
143238	10 X 72"	26.93 LB
144741	10 X 90"	33.348 LB
144599	10 X 96"	35.5 LB
144600	10 X 102"	37.651 LB
144601	10 X 108"	39.803 LB
144749	10 X 114"	41.954 LB
144602	10 X 120"	44.106 LB

### #11 - ASTM A706 GR 60 - EPOXY

Product Code	Description	Weight
144603	11 X 12"	6.641 LB
144604	11 X 18"	9.298 LB
144605	11 X 24"	11.954 LB
144606	11 X 30"	14.611 LB
143271	11 X 36"	17.28 LB
144608	11 X 54"	25.237 LB
144609	11 X 84"	38.519 LB
144742	11 X 90"	41.176 LB
144610	11 X 96"	43.832 LB
144611	11 X 102"	46.489 LB
144612	11 X 108"	49.145 LB
144750	11 X 114"	51.802 LB
144613	11 X 120"	54.458 LB

### MANUFACTURER

Dayton Superior Corporation  
 1125 Byers Road  
 Miamisburg, OH 45342  
 Customer Service: 888-977-9600  
 Technical Services: 877-266-7732  
 Website: www.daytonsuperior.com

## TECHNICAL DATA SHEET

**WARRANTY (ACCESSORIES)**

Limited Warranty. Dayton warrants, for a period of 60 days from the date of shipment (three years from the date of shipment in the case of formwork, excluding any consumable Products included with such formwork), that Products and any associated application drawings and engineering services provided by Dayton ("Ancillary Services") will be free from defects in material and workmanship and, in the case of custom designed formwork, that the formwork will meet the specifications set forth in the design drawings approved by Dayton and Customer. Any claim under this warranty must be made in writing within such warranty period. If any Product and/or Ancillary Service covered by a timely claim are found to be defective, Dayton will, within a reasonable time, make any necessary repairs or corrections or, at Dayton's option, replace the Product. Unless pre-authorized by Dayton in writing, Dayton will not accept any charges for correcting defects or accept the return of any Product. This warranty will not apply to any Products that have been subjected to misuse, neglect, storage damage, misapplication, accident or any other damage caused by any person other than Dayton, or that have not been maintained in accordance with Dayton's specifications. THIS LIMITED WARRANTY IS IN LIEU OF ALL OTHER WARRANTIES AS TO THE PRODUCTS AND ANCILLARY SERVICES. DAYTON MAKES NO OTHER WARRANTIES OR GUARANTEES, EXPRESS OR IMPLIED, INCLUDING ANY WARRANTY OF MERCHANTABILITY, FITNESS FOR A PARTICULAR PURPOSE OR OTHERWISE. THE REMEDIES SET FORTH IN THIS SECTION ARE CUSTOMER'S EXCLUSIVE REMEDY FOR BREACH OF WARRANTY.