

# 600 SERIES MULTI-COMPONENT GUNS - 1:1 & 2:1 MIX RATIOS

Bulletin 283C

The Best Just Keeps Gettin' Better!®

- ✓ Bulk
- ✓ Sausage
- ✓ Cartridge
- ✓ Multi-Component
- ✓ Accessories

## MANUAL



## MANUAL, CORDLESS & PNEUMATIC OPTIONS FOR DISPENSING 600 ML 2K CARTRIDGES!

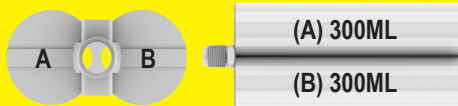
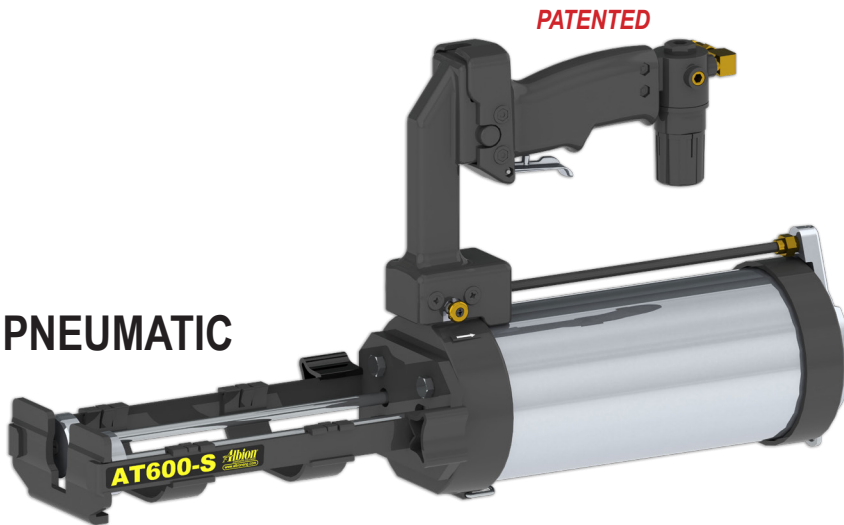
For dispensing epoxies & adhesives for construction joints, crack injection, adhesive installation and bolt setting.

## CORDLESS

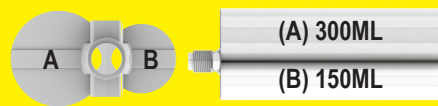


Powered by Milwaukee® REDLITHIUM™ Battery Technology

## PNEUMATIC



1:1 Mix Ratio = 600ml, 22oz. Total Capacity  
8-1/2" Long x (A) 2" Dia. (B) 2" Dia.



2:1 Mix Ratio = 450ml, 15oz Total Capacity  
8-1/2" Long x (A) 2" Dia. (B) 1-15/32" Dia.



For more information on our products visit [www.albioneng.com](http://www.albioneng.com) or call 856.235.6688 to request the latest issue of our "Handbook & Catalog 333".



1250 N Church St., Moorestown, NJ 08057 | 856.235.6688 | [Service@albioneng.com](mailto:Service@albioneng.com) | [www.albioneng.com](http://www.albioneng.com)

# 600 SERIES MULTI-COMPONENT GUNS - 1:1 & 2:1 MIX RATIOS

Bulletin 283C

The Best Just Keeps Gettin' Better!®

✓Bulk

✓Sausage

✓Cartridge

✓Multi-Component

✓Accessories

## B-LINE MANUAL MODELS

B26T600



B26T600XL



### FEATURES:

- Smooth & powerful, Highest thrust, 26:1 ratio drive.
- Increased gun life due to Albion's adjustment screw technology.
- Double the life of the tool with Albion's Double Gripping Plates.
- Cartridges snap firmly into place.

### AVAILABLE MODELS:

**B26T600** (1:1 300 x 300 ml)

**B26T600X2** (2:1 300 x 150 ml)

**B26T600XL Stand-Up Extension** (1:1 300 x 300 ml)

**B26T600X2L Stand-Up Extension** (2:1 300 x 150 ml)

*All models are convertible from 1:1 to 2:1 or from 2:1 to 1:1.*

## 18V CORDLESS MODELS

E18T600



Powered by Milwaukee® REDLITHIUM™ Battery Technology

E18T600XL



### FEATURES:

- Powerful 18V cordless drive.
- Long lasting battery, with fast 30 min. recharge. **Powered by Milwaukee® REDLITHIUM™ Battery Technology.**
- Quick stop and start. Instant drive disengagement for no-drip control.
- Ergonomic design reduces wrist strain and fatigue.
- Variable speed trigger with max speed dial for maximum control.
- Dosage control via indexed rod.
- All models include: (1) 982-2 18V Battery Pack and (1) 982-21 Charger.

### AVAILABLE MODELS:

**E18T600** (1:1 300 x 300 ml)

**E18T600X2** (2:1 300 x 150 ml)

**E18T600XL Stand-Up Extension** (1:1 300 x 300 ml)

**E18T600X2L Stand-Up Extension** (2:1 300 x 150 ml)

*All models are convertible from 1:1 to 2:1 or from 2:1 to 1:1.*

## AT-LINE PNEUMATIC MODELS

AT600-S



**PATENTED** Suitcase Handle

AT600



### FEATURES:

- Patented Suitcase Handle for convenient, ergonomic dispensing.
- Quickly change over from one-hand (suitcase) to two-hand configuration.
- For spray applications use adapter p/n 1042-2.
- Quick Stop due to Albion's unique quick exhaust design.
- Responsive trigger control with easy access regulator, and pneumatic forward and reverse.
- Trigger / regulator replacement is quick and inexpensive. (p/n 957-13).
- Truly functional upright position allows easy load and unload.

### AVAILABLE MODELS:

**AT600-S Suitcase** (1:1 300 x 300 ml)

**AT600** (1:1 300 x 300 ml)

**AT600X2** (2:1 300 x 150 ml)

**AT600X2-S Suitcase** (2:1 300 x 150 ml)

*All models are convertible from 1:1 to 2:1 or from 2:1 to 1:1.*



Optional (1001-1) Hard Plastic Carry Case for AT-Line Guns



1250 N Church St., Moorestown, NJ 08057 | 856.235.6688 | Service@albioneng.com | www.albioneng.com

201807