

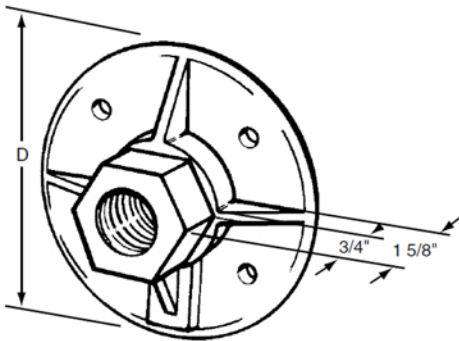
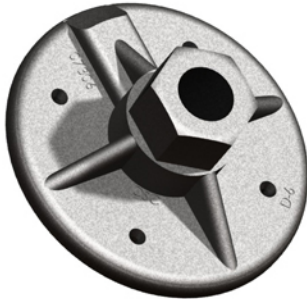
TECHNICAL DATA SHEET

DESCRIPTION

B27 Nut Washers are manufactured from ductile iron steel.

APPLICATION

B27 Nut Washers are designed to spread the forming loads over the wood forming members.



FEATURES

- The B27 Nut Washer has a coil thread and can be used with all appropriate coil threaded devices.
- B27 Nut Washers combine the advantages of a washer and nut into a one-piece unit.
- The nut washer is equipped with nailing holes to secure them to the formwork.
- Safe Working Load provides a factor of safety of approximately 2 to 1.

RELATED PRODUCTS

- D30 She-Bolt
- D9 Taper Tie - Coil Thread
- B12 Coil Rod

HOW TO ORDER

Specify: (1) quantity, (2) name, (3) diameter, (4) thread type.

Example: 100 pcs., B27 Nut Washer, 1/2" coil thread.

ORDERING INFORMATION

COIL NUT WASHER

Product Code	Description	Weight
33710	1/2" DIA; 4500 LBS SWL	1.60 LB
33715	3/4" DIA; 9000 LBS SWL	1.55 LB

MANUFACTURER

Dayton Superior Corporation
 1125 Byers Road
 Miamisburg, OH 45342
 Customer Service: 888-977-9600
 Technical Services: 877-266-7732
 Website: www.daytonsuperior.com

WARRANTY (ACCESSORIES)

Limited Warranty. Dayton warrants, for a period of 60 days from the date of shipment (three years from the date of shipment in the case of formwork, excluding any consumable Products included with such formwork), that Products and any associated application drawings and engineering services provided by Dayton ("Ancillary Services") will be free from defects in material and workmanship and, in the case of custom designed formwork, that the formwork will meet the specifications set forth in the design drawings approved by Dayton and Customer. Any claim under this warranty must be made in writing within such warranty period. If any Product and/or Ancillary Service covered by a timely claim are found to be defective, Dayton will, within a reasonable time, make any necessary repairs or corrections or, at Dayton's option, replace the Product. Unless pre-authorized by Dayton in writing, Dayton will not accept any charges for correcting defects or accept the return of any Product. This warranty will not apply to any Products that have been subjected to misuse, neglect, storage damage, misapplication, accident or any other damage caused by any person other than Dayton, or that have not been maintained in accordance with Dayton's specifications. THIS LIMITED WARRANTY IS IN LIEU OF ALL OTHER WARRANTIES AS TO THE PRODUCTS AND ANCILLARY SERVICES. DAYTON MAKES NO OTHER WARRANTIES OR GUARANTEES, EXPRESS OR IMPLIED, INCLUDING ANY WARRANTY OF MERCHANTABILITY, FITNESS FOR A PARTICULAR PURPOSE OR OTHERWISE. THE REMEDIES SET FORTH IN THIS SECTION ARE CUSTOMER'S EXCLUSIVE REMEDY FOR BREACH OF WARRANTY.