



Table of Contents

Page 2	Nail Stakes, Form Pins, Flat Stakes, Stake Pullers
Page 3	Straight Forms, Keyway Forms
Page 4	Filler Forms, Corner Forms, End Plugs
Page 5	Radius Forms, Transition Forms
Page 6	Curb Face Forms, Top Spreaders, Division Plates
Page 7	Curb & Gutter Specifications
Page 8	Typical Bill of Material Curb & Gutter
Page 9	Set up guide for Straight and Radius Curb & Gutter
Page 10	Radius High Curb
Page 11.....	High Curb accessories
Page 12.....	Typical Bill of Material: Rollover Sidewalk, High Curb Full Batter High Curb No Batter
Page 13.....	Typical Bill of Material Partial Batter
Page 14.....	Set Ups for All Purpose Hangers
Page 15.....	Adjustable Hangers for Curb & Gutters, Trenched Footers, Extenders for Edge Forms
Page 16.....	Curb Tools, Stake Tray
Page 17.....	Tilt Up Forms, Super Flat Forms
Page 18.....	Sidewalk, Rehab Forms
Page 19.....	Replacement Parts
Page 20.....	Accessories for Wood Forms
Page 21.....	Extension, Bracing, Screeding
Page 22.....	Econoline Paving Forms
Page 23.....	Accessories for Paving Forms: Dowels, Form Pins, Dowel Bar Holder, Median Barrier Pins
Page 24.....	Headwall Forms, Sewer Covers
Page 25.....	Agricultural Foundation Forms, Material Storage Bins
Page 26.....	Specialty Marine Forming
Page 27.....	Product Specification Sheet
Page 28.....	Flatwork set up using accessories



Manufactured by:

CONCRETE ACCESSORIES II
Division of Tesko Enterprises

7350 W. Montrose Ave. Norridge, IL 60706
708/452/0250 800/245/1333 Fax 708/452/7220
www.deeconcrete.com



Nail Stakes - Form Pins - Flat Stakes - Pullers

Cold rolled stakes have a higher density than the hot rolled stakes that are on the market.
 This makes for a better stake where soil conditions are hard and rocky.

dee COLD ROLLED SOLID STEEL NAIL STAKES

With holes -- For use with Steel or Wood Forms.

101
 3/4" dia.

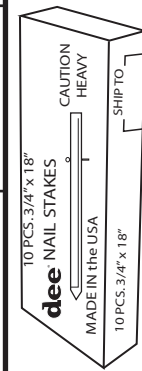


102
 7/8" dia.

Length	Price Ea.	Std. Pcs.	Pkg. Wt. Lbs.
12"		25	38
18"		10	21
24"		10	30
30"		10	38
36"		10	45
*42"		10	53
*48"		10	60
<hr/>			
12"		10	20
18"		10	30
24"		10	40
30"		10	50
36"		10	60
*42"		10	70
*48"		10	80

*Furnished with an additional 12 nail holes.
 Add for double holes.

18"-24"-30"
 Nail Stakes
 Packaged in
 10 pc. cartons



dee COLD ROLLED SOLID STEEL FORM PINS

Without holes -- For use with Steel Forms only.

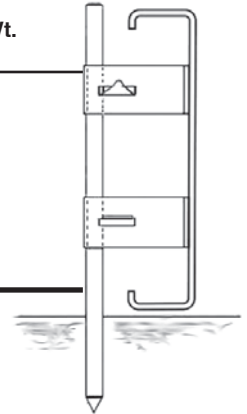
201
 3/4" dia.

Length	Price Ea.	Std. Pcs.	Pkg. Wt. Lbs.
12"		25	38
18"		25	52
24"		25	75
30"		20	75
36"		10	45
42"		10	53
48"		10	60

202
 7/8" dia.

12"		10	20
18"		10	30
24"		10	40
30"		10	50
36"		10	60
42"		10	70
48"		10	80

Available in different lengths. Longer lengths available.
 Prices on request.



114 I-Beam FLAT NAIL STAKES
 STAGGERED NAIL HOLES
 Always Ensure Positive Nailing



7/16" I-Beam

Length	Price Ea.	Std. Pcs.	Pkg. Wt. Lbs.
12"		10	14
18"		10	21
24"		10	28
30"		10	35
36"		10	42
*42"		10	49
*48"		10	56

*Furnished with an additional 12 nail holes.
 Available in different lengths. Prices on request.

203 COLD ROLLED 1" DIAMETER FORM PINS
 Without holes



Length	Price Ea.	Std. Pcs.	Pkg. Wt. Lbs.
18"		7	28
24"		7	42
30"		7	49
36"		7	56
42"		7	63
48"		7	77

- 132** Heavy Duty - for 3/4" or 7/8" dia. stakes 11 lbs.
- 133** Heavy Duty with adjustable jaw - from 3/4" to 1-1/4" 14 lbs.
- 135** Combination - pulls round or flat stakes 11 lbs.

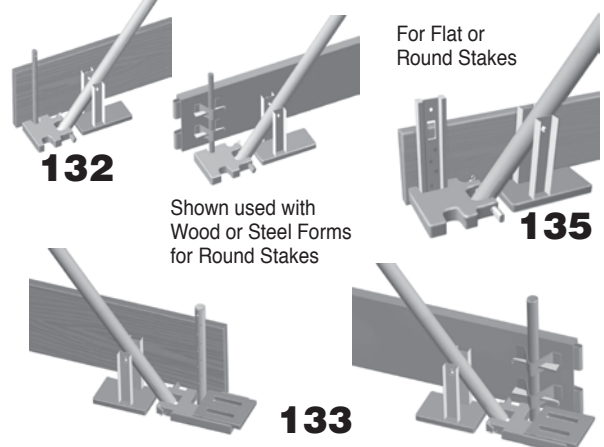
(for use with 3/4" or 7/8" stakes)

REPLACEMENT PARTS

- 956** dee jaw for #132 puller with attaching hardware 2 lbs.
- 957** dee jaw for #133 puller with attaching hardware 2 lbs.
- 958** dee jaw for #135 puller with attaching hardware 2 lbs.

STAKE PULLERS

For use with Steel or Wood Forms

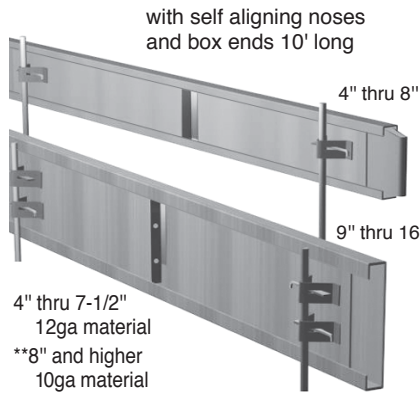


For Flat or Round Stakes

Shown used with Wood or Steel Forms for Round Stakes

Straight Steel Forms

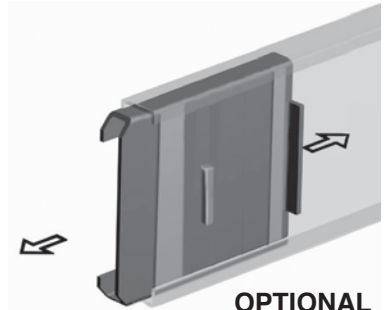
STRAIGHT FORMS - Standard 2" Base



Size	205 3 POCKETS		204 2 POCKETS	
	Price ea.	Wt. ea. lbs.	Price ea.	Wt. ea. lbs.
4" x 10'		39		37
5" x 10'		42		40
6" x 10'		47		45
7" x 10'		52		50
7-1/2" x 10'		55		53
**8" x 10'		75		72
9" x 10'		80		77
10" x 10'		85		82
11" x 10'		90		87
12" x 10'		95		92
13" x 10'		100		
14" x 10'		110		
15" x 10'		120		
16" x 10'		120		
18" x 10'		130		

For use with either 3/4" or 7/8" stakes.
 STAKES NOT INCLUDED IN FORM PRICES.
 TO PUNCH HOLES FOR DOWELS
 Add for 5 holes; ea. addit. hole.

** Also Available- 8" x 10' in 12 gauge Wt 60 lbs



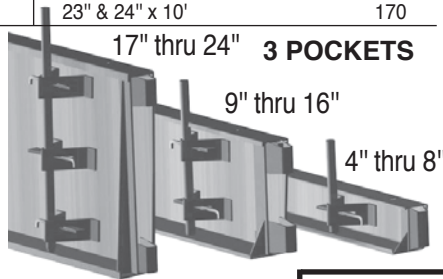
911 **OPTIONAL SLIDING NOSE**
 Available on all forms

Size	Price ea.	Size	Price ea.
4"		11" & 12"	
5" & 6"		13" & 14"	
7" & 8"		15" & 16"	
9" & 10"		17" & 18"	

For best results we do not recommend 2 pocket forms 12" high and over.

216 STRAIGHT FORMS - 10GA Material with a 4" Base

Size	Price ea.	Wt. ea. lbs.	Size	Price ea.	Wt. ea. lbs.
4" x 10'		55	17" & 18" x 10'		140
5" x 10'		60	19" & 20" x 10'		150
6" x 10'		66	21" & 22" x 10'		160
7" x 10'		71	23" & 24" x 10'		170
7-1/2" x 10'		73			
8" x 10'		78			
9" x 10'		86			
10" x 10'		94			
11" x 10'		99			
12" x 10'		105			
13" x 10'		114			
14" x 10'		120			
15" x 10'		125			
16" x 10'		130			

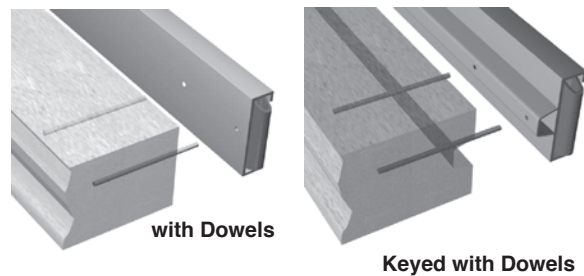
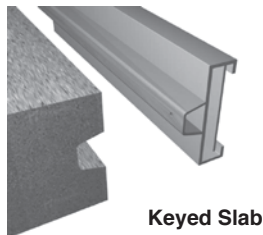


STRAIGHT FORMS - 10GA Material with a 2" Base

Size	Price ea.	Wt. ea. lbs.	Size	Price ea.	Wt. ea. lbs.
4" x 10'		47			
5" x 10'		54			
6" x 10'		60			
7" x 10'		63			
7-1/2" x 10'		66			

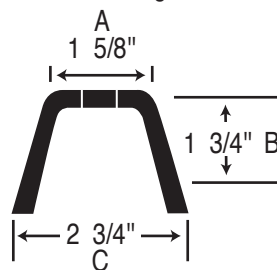
Fractional height forms e.g. 5-1/2" priced same as 6" etc.

Keyway Forms for Industrial Slabs



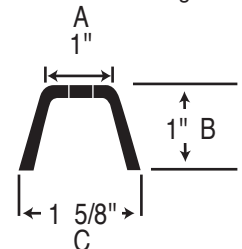
280 Standard Section ea. - 18 lbs.

For forms 6" and higher



288 Small Section ea. - 10 lbs.

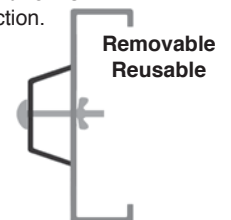
For forms 4" and higher



Four holes are punched in the Keyway Forms and the Straight Forms. Four carriage bolts and nuts are furnished with each 10' section.

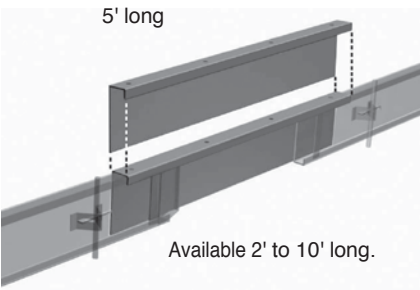
975
To punch holes in Keyway Forms add:
 for 5 holes; ea. additional hole.

Keyway Forms can be fabricated to any size or shape.



Straight Steel Forms Accessories

255 STRAIGHT FILLER FORMS - Standard 5' Lengths



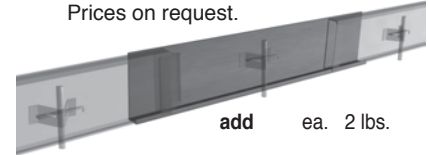
Height	Price ea.	Wt. lbs.	Add:	for ea. addit. 12"
4"		12		2 lbs.
5"		14		3 lbs.
6"		15		3-1/2 lbs.
7"		17		4 lbs.
8"		25		5 lbs.
9" to 10"		29		6 lbs.
11" to 12"		34		7 lbs.

Available 2' to 10' long.

Available in heights up to 24".
Prices on request.

256 INVERTED FILLER FORM

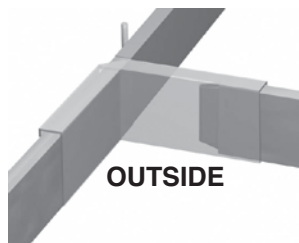
With attached stake pocket
Available in heights up to 24".
Prices on request.



add ea. 2 lbs.

257 CORNER FORMS - Outside or Inside

Filler type - with 24" x 24" legs.



Height	Price ea.	Wt. lbs.	Add:	for ea. addit. 12"
4"		10		2 lbs.
5"		11		3 lbs.
6"		13		3-1/2 lbs.
7"		14		4 lbs.
8"		20		5 lbs.
9" to 10"		24		6 lbs.
11" to 12"		27		7 lbs.

When ordering specify height and type and whether inside or outside corners are required.

Special Corner Forms can be made with varying leg lengths to meet special job requirements. Available in Heights up to 24".

Prices on request.



260 CORNER FORMS - Outside or Inside

Standard type - with 18" x 18" legs with stake pockets.

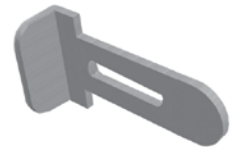


Height	Price ea.	Wt. lbs.	Add:	for ea. addit. 12"
4"		13		2 lbs.
5"		15		3 lbs.
6"		16		3-1/2 lbs.
7"		18		4 lbs.
8"		23		5 lbs.
9" to 10"		29		6 lbs.
11" to 12"		35		7 lbs.



610 SLOTTED BOLTS

ea. 1/8 lb.



675 SMALL WEDGE

ea. 1/8 lb.



269 MALE END PLUGS

For 4" up to 6" Forms
ea. 1-1/2 lbs.

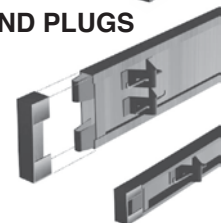
For 7" up to 12" Forms
ea. 2-1/2 lbs.



270 FEMALE END PLUGS

For 4" up to 6" Forms
ea. 2-1/2 lbs.

For 7" up to 12" Forms
ea. 5 lbs.



263 filler type with 24" x 24" legs EASY CURVE FORMS



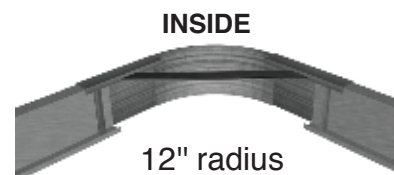
Height	Price ea.	Wt. lbs.
4"		12
5"		14
6"		16
7"		18
8"		26
9" to 10"		28
11" to 12"		32

When ordering specify height and type and whether inside or outside corners are required.

Standard radius 12". Custom radius and heights available. Prices on request.

Available in Heights up to 24".

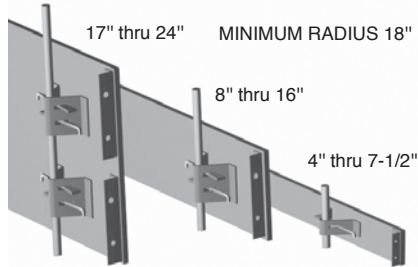
265 filler type with 24" x 24" legs EASY CURVE FORMS



Radius Forms

507 FLEXIBLE FORMS - 10' LONG

dee® Flexible Forms have 7 pockets to provide the most accurate radius forming.



Forms 4" thru 7-1/2" have 7 single wedge pockets.
 Forms 8" thru 16" have 7 double wedge pockets.
 Forms 17" and higher have 2 rows of 7 double wedge pockets.

Size	Price ea.	Wt. ea. lbs.
4" x 10'		26
5" x 10'		29
6" x 10'		33
7" x 10'		36
7-1/2" x 10'		39
8" x 10'		50
9" x 10'		54
10" x 10'		58
11" x 10'		62
12" x 10'		62
13" x 10'		72
14" x 10'		75
15" & 16" x 10'		80
17" & 18" x 10'		115
19" & 20" x 10'		120
21" & 22" x 10'		126
23" & 24" x 10'		132

525 FLEXIBLE FORMS - 5' LONG

4" to 7"
 8" to 10"
 11" to 13"
 14" to 16"
 17" to 20"
 21" to 24"



Prices include 3 loose stake pockets with necessary nuts and bolts, attached end angle and lock clamp.

Prices include attached end holders and lock clamps.

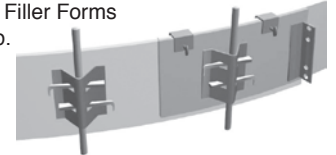
4" to 11" include 1 Lock Clamp
 12" to 24" include 2 Lock Clamps

ADDITIONAL NO. 625 LOCK CLAMP
 ea. 1/2 lb. ea.



688 FILLER FORM LOCK

Flexible Forms
 For all types of Filler Forms
 ea. 1 lb.



Transition Forms

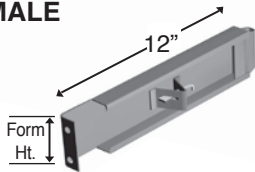
559 / 560 TRANSITION FORMS - Straight to Flexible Always order in pairs -- 1 Male and 1 Female

Prices include
 No. 625 Lock Clamps

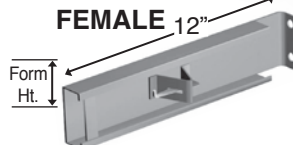
Size	Price ea.	Approx. wt.
4" & 5" Forms		6 lbs.
6" & 7" Forms		8 lbs.
8" thru 10" Forms		13 lbs.
11" thru 14" Forms		18 lbs.
15" thru 18" Forms		20 lbs.
19" thru 24" Forms		25 lbs.

4" thru 11" require 1 Lock Clamp
 12" thru 24" require 2 Lock Clamps

559 MALE



560 FEMALE

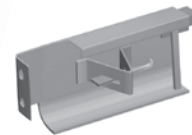


562 / 563 For Standard CURB FACE TRANSITION FORMS:

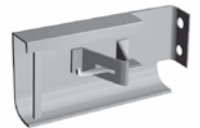
When ordering, specify form height and type of curb face form.

Type B, J & S	Price ea.	Approx. wt.
6" height		7 lbs.
7" height		8 lbs.
8" height		10 lbs.

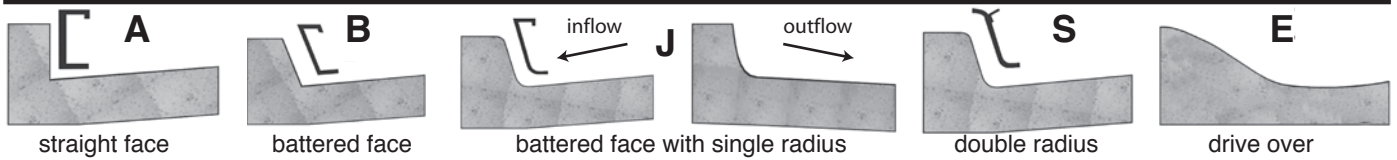
562 MALE

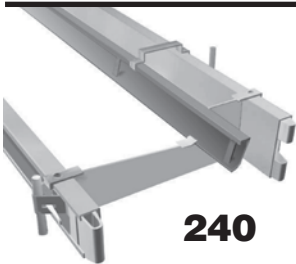


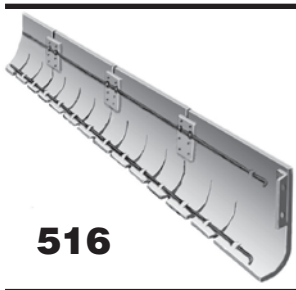
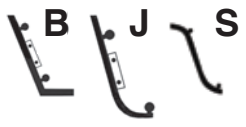
563 FEMALE









Curb Face Forms - Top Spreaders and Division Plates Fabricated to Meet Any Specification



 <p>240</p>	<p>STRAIGHT CURB FACE FORMS 10' LONG</p>	<p>Height 6" 7" 8"</p>	<p>For special sizes and types we require a dimension drawing (see page 7).</p>
		<p>For A B J (as shown above)</p> <p>For S Type Standard Radius 3" x 3"</p> <p>Weight 38 lbs. 43 lbs. 47 lbs.</p>	

 <p>516</p>	<p>FLEXIBLE BATTER CURB FACE FORMS 10' LONG</p>	<p>Height 6" 7" 8"</p>	 <p>minimum radius 4' 6"</p> <p>We suggest one full and five skeleton division plates for each 10' section of flexible forms</p>
		<p>For A B J (as shown above)</p> <p>For S Type Standard Radius 3" x 3"</p> <p>Weight 30 lbs. 35 lbs. 40 lbs.</p>	

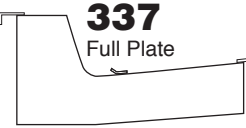
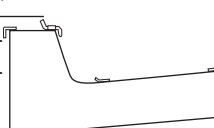

TOP SPREADERS

 <p>301</p>	<p>No. 301 Standard - For Curbs up to 6" wide..... 2 lbs.</p> <p>No. 302 Hook Type - For Straight "S" Curbs up to 6" wide..... 1-1/2 lbs.</p> <p>No. 315 Hook Type - For Flexible "S" Curbs up to 6" wide..... 1-1/2 lbs.</p> <p>No. 303 Hook Type with Hole - for curbs up to 6" wide 2 lbs.</p>	 <p>304</p>
 <p>302 straight</p>	<p>No. 304 Special Hook Type - For Curbs up to 6" wide 2-1/2 lbs. With Holes for Slotted Bolts. For use with "H" Type High Curbs</p> <p>No. 305 Double "U" for straight forms - 6" wide..... 2-1/2 lbs.</p> <p>No. 314 Double "U" for Flexible Forms - 6" wide..... 2 lbs. For ea. additional 2" ADD</p>	 <p>straight 305</p>
 <p>303</p>		 <p>flexible 314</p>

FOR USE WITH 2" RAIL STRAIGHT FORMS

SLIP-ON DIVISION PLATES

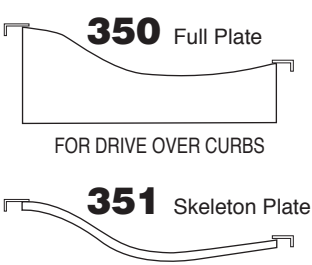
FOR USE WITH FLEXIBLE FORMS

	Height thru	Width thru 18"	Width thru 24"	Width thru 30"	Width thru 36"	
 <p>337 Full Plate</p> <p>FOR STEP CURBS</p>	12" Full	ea. 6 lbs.	ea. 8 lbs.	ea. 10 lbs.	ea. 12 lbs.	 <p>339 Full Plate</p>
	14" Full	ea. 8 lbs.	ea. 10 lbs.	ea. 11 lbs.	ea. 13 lbs.	
	16" Full	ea. 10 lbs.	ea. 12 lbs.	ea. 13 lbs.	ea. 15 lbs.	
 <p>338 Skeleton Plate</p>	Skeleton	ea. 2.4 lbs.	ea. 3.2 lbs.	ea. 4 lbs.	ea. 4.5 lbs.	<p>340 Skeleton Plate</p>

FOR USE WITH WOOD FORMS


180 Full
181 Skeleton

HALF DIVISION PLATES same price as full



610 Slotted Bolts ea.


675 Bent Wedge ea.



Division Plates can be locked to form with Slotted Bolts and Wedges

Plates for Rebar Slots


334



ADD PER SLOT
Specify Length and Diameter of Rebar Slots

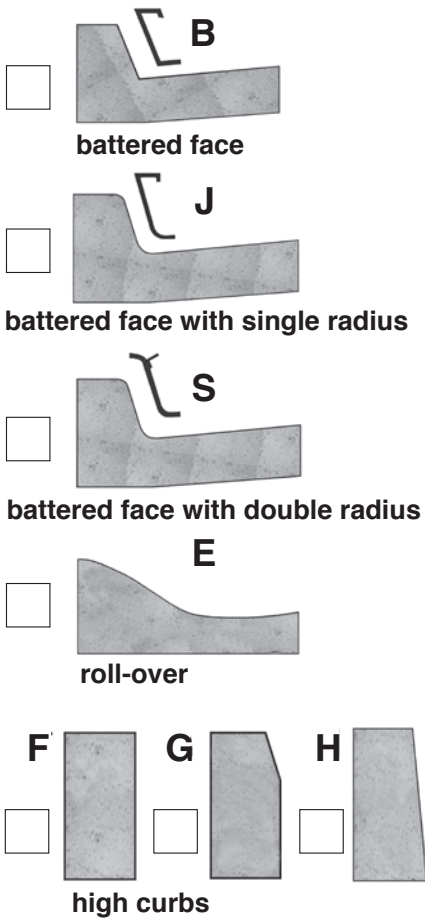
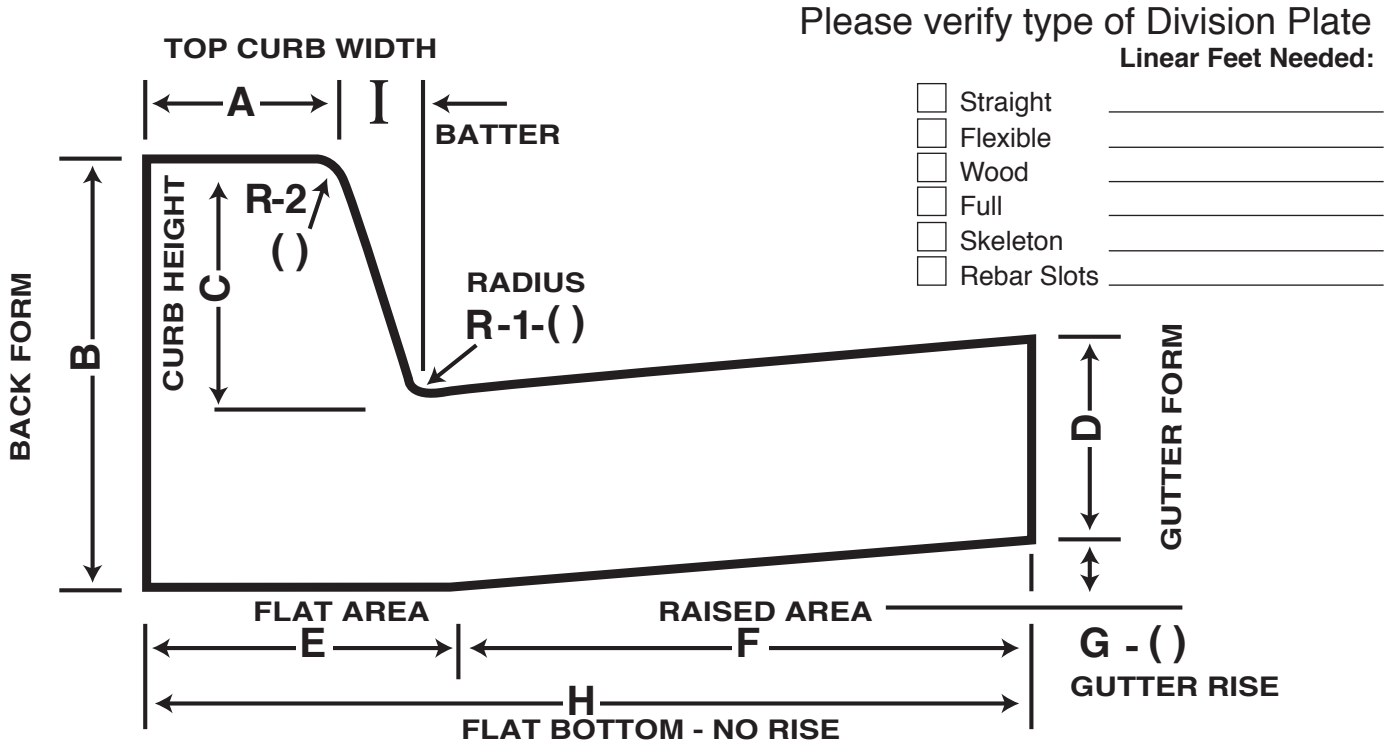
DIVISION PLATES FOR EXISTING PAVEMENTS

333



For Flat Clips ADD to Division Plate prices

Curb and Gutter Specifications



Please complete all curb and gutter dimensions

Top Curb Width - Dimension A - inches _____

Back Form - Dimension B - inches _____

Curb Height - Dimension C - inches _____

Gutter Form - Dimension D - inches _____

Flat Area - Dimension E - inches _____

Raised Area - Dimension F - inches _____

Gutter Rise - Dimension G - inches _____

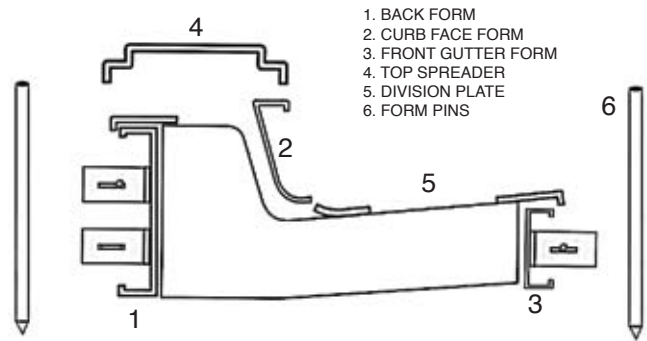
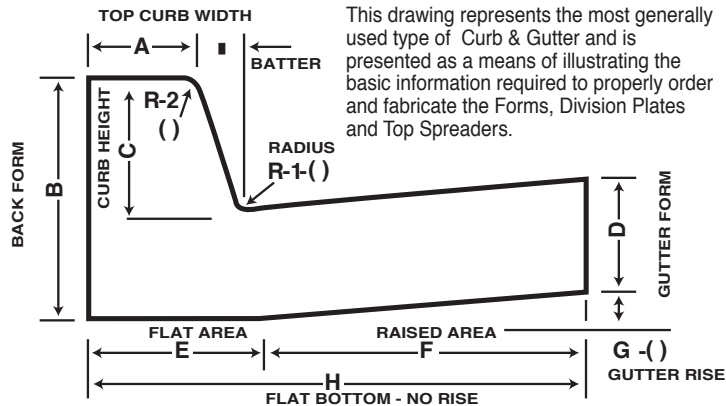
Flat Bottom No Rise - Dimension H - inches _____

Batter - Dimension I - inches _____

Radius - Dimension R-1 - inches _____

Radius - Dimension R-2 - inches _____

Typical Bill of Materials



ALL ARE 100 LINEAR FEET FOR STEP TYPE CURB AND GUTTERS.

Group "J" or "B" for Straight Forms

("J" Type - with batter - single radius) or
("B" Type - with batter - no radius)



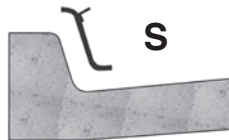
Group "J" or "B" for Radius Forms



Part #	Pcs.	Description	List Price ea.	Part #	Pcs.	Description	List Price ea.
205	10	12" x 10' Straight (back) Form-3 Pocket		507	10	12" x 10' Flexible (back) Form-7 Pocket	
205	10	6" x 10' Straight (front) Form-3 Pocket		507	10	6" x 10' Flexible (front) Form-7 Pocket	
240	10	6" x 10' "J" or "B" Curb Face Form		516	10	6" x 10' "J" or "B" Curb Face Form	
301	20	6" Curb - Top Spreader		625	40	Heavy Duty Lock Clamps	
337	11	12" x 24" "J" or "B" Full Div. Plates		339	10	12" x 24" "J" or "B" Full Div. Plates	
201	60	3/4" x 24" Form Pins		340	50	12" x 24" "J" or "B" Skel. Div. Plates	
For 100 L.F. Total List \$ of Package Total Weight for 100 L.F. = 2108 lbs.				For 100 L.F. Total List \$ of Package Total Weight for 100 L.F. = 1933 lbs.			

Group "S" for Straight Forms

("S" Type - with batter and double radius)



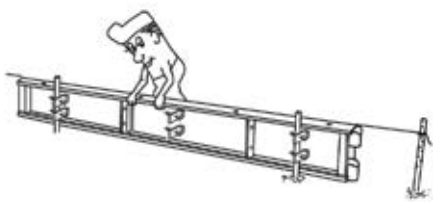
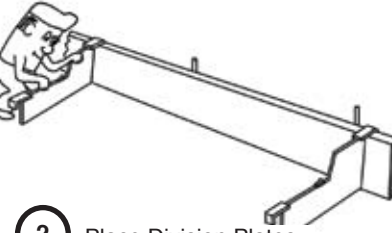
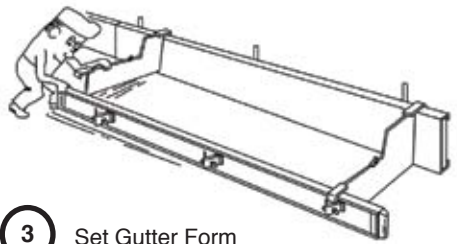
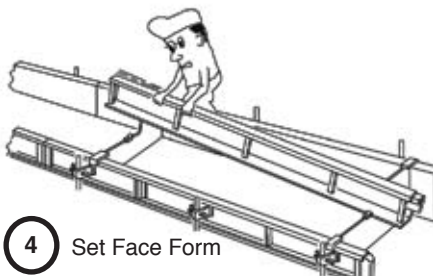
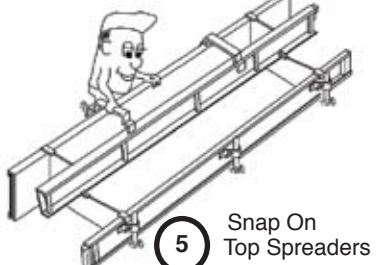
Group "S" for Radius Forms

("S" Type - with batter and double radius)

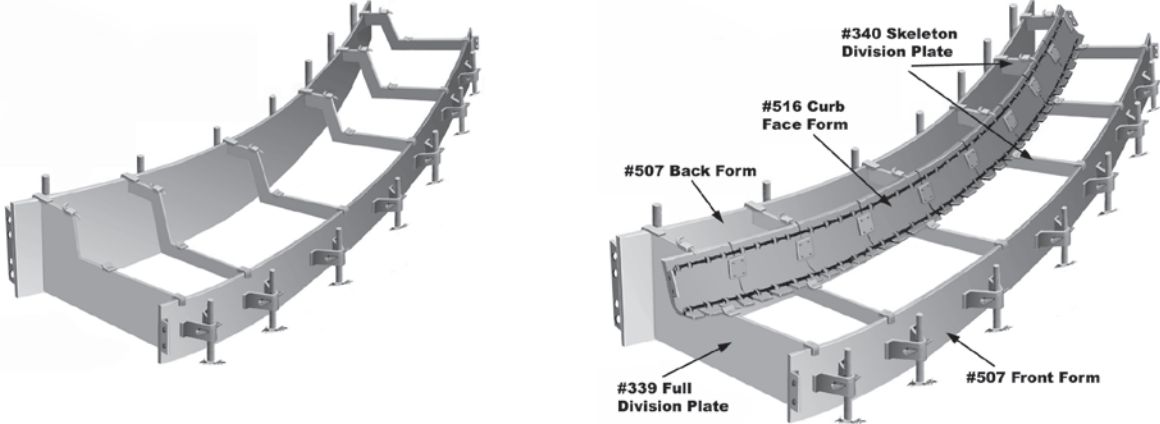
Part #	Pcs.	Description	List Price ea.	Part #	Pcs.	Description	List Price ea.
205	10	12" x 10' Straight (back) Form-3 Pocket		507	10	12" x 10' Flexible (back) Form-7 Pocket	
205	10	6" x 10' Straight (front) Form-3 Pocket		507	10	6" x 10' Flexible (front) Form-7 Pocket	
240	10	6" x 10' "S" Curb Face Form		516	10	6" x 10' "S" Curb Face Form	
302	20	6" Curb - Top Spreader		625	40	Heavy Duty Lock Clamps	
337	11	12" x 24" "S" Full Div. Plates		315	60	6" Curb - Top Spreader	
201	60	3/4" x 24" Form Pins		339	10	12" x 24" "S" Full Div. Plates	
For 100 L.F. Total List \$ of Package Total Weight for 100 L.F. = 2098 lbs.				For 100 L.F. Total List \$ of Package Total Weight for 100 L.F. = 2023 lbs.			

Set Up Instructions

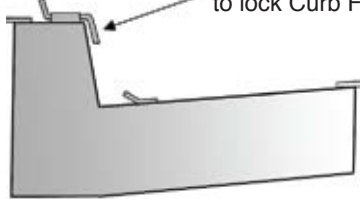
Straight Forms

 <p>1 Align Back Form</p>	 <p>2 Place Division Plates</p>	 <p>3 Set Gutter Form</p>
 <p>4 Set Face Form</p>	 <p>5 Snap On Top Spreaders</p>	<p>ALL YOU NEED FOR 100 L.F.</p> <ul style="list-style-type: none"> • 10 pcs - Back Forms • 10 pcs - Gutter Forms • 10 pcs - Curb Face Forms • 20 pcs - Top Spreaders • 11 pcs - Full Division Plates • 60 pcs - 3/4" x 24" Form Pins

Flexible Forms



- Align Back Form
- Place Division Plates
1 Full and 5 Skeleton
- Set Gutter Form
- Set Face Form under the Hold Down Clips on the Division Plates
- Turn the Rotating Clip to lock Curb Face Form

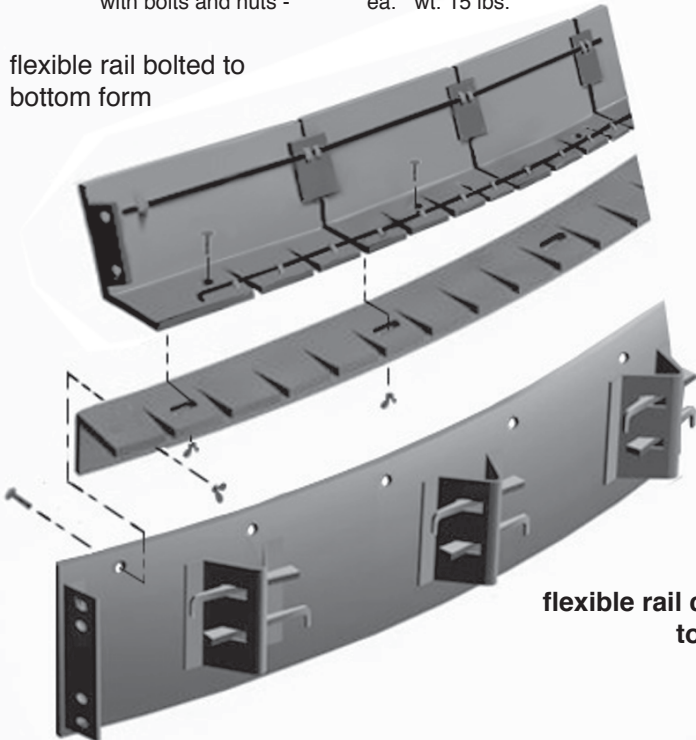


Radius High Curb Forming

512 FLEX RAIL 2" X 2" X 10'

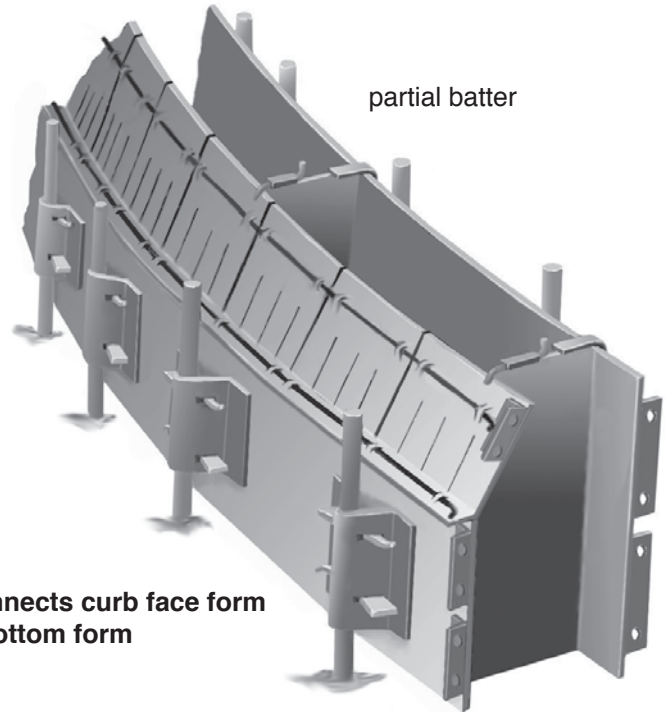
with bolts and nuts - ea. wt. 15 lbs.

flexible rail bolted to bottom form



flexible rail connects curb face form to bottom form

FLEXIBLE FORMS

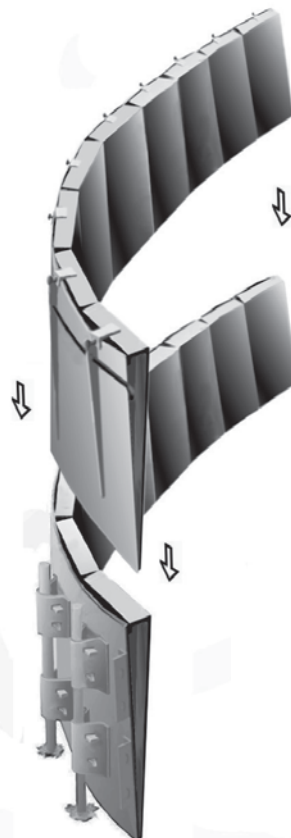


partial batter

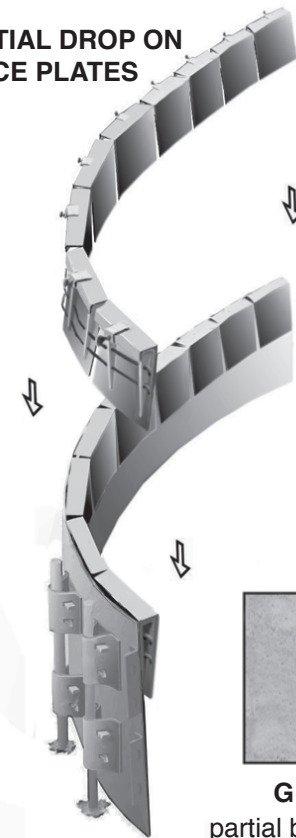
FLEXIBLE FORMS



FULL AND PARTIAL DROP ON BATTER FACE PLATES



H
full batter



G
partial batter

576 FULL AND PARTIAL BATTER FACE PLATES

Drop on face plates lock to forms with thumb screws

For heights thru 12" ea. 60 lbs.

For heights 13" thru 18" ea. 71 lbs.

For heights 19" thru 24" ea. 75 lbs.

Straight High Curb Forming

HIGH CURBING FORM ACCESSORIES

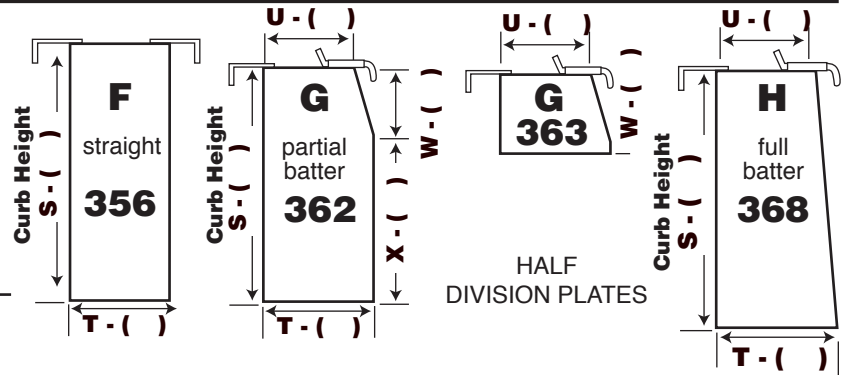
Straight and Radius

DIVISION PLATES

Height	thru 12"	thru 18"	thru 24"
Up to 8" wide	ea.	ea.	ea.
Weight	5 lbs.	6 lbs.	7 lbs.
9" to 12" wide	ea.	ea.	ea.
Weight	6 lbs.	7 lbs.	8 lbs.

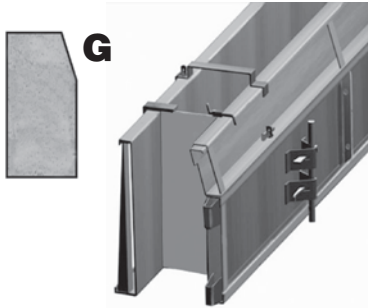
For rebar slot - ADD

HALF DIVISION PLATES - DEDUCT FROM ABOVE PRICES
Weight - 75% of Full Plates

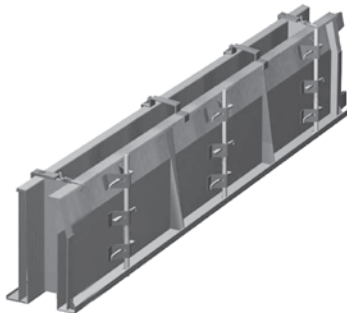


F Type	G Type	H Type
356 full straight	362 full straight	368 full straight
357 half straight	363 half straight	369 half straight
358 full radius	364 full radius	370 full radius
359 half radius	365 half radius	371 half radius

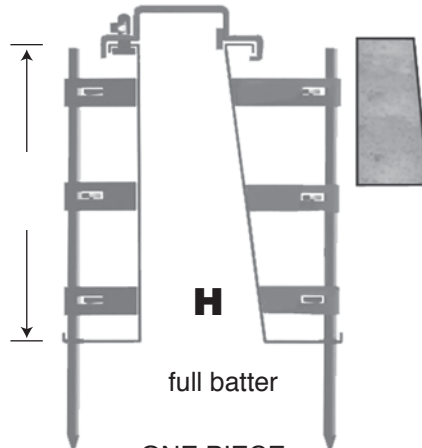
STRAIGHT FORMS



Partial Batter showing lock-on type of Division Plate



STRAIGHT FORMS



ONE PIECE STRAIGHT FORMS

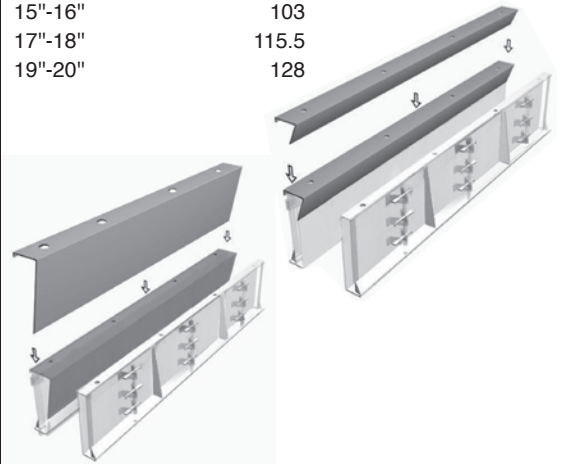
225 H - TYPE - FULL BATTER
235 G - TYPE - PARTIAL BATTER

ADD to straight form prices:
For 5 pcs. min. up to 9 pcs. 25%
For 10 pcs. min. up to 49 pcs. 15%
For 50 pcs. or more 10%

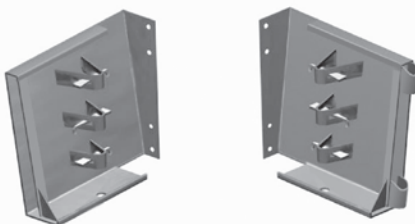
255B PARTIAL OR FULL BATTER

DROP ON FILLER FORM (specify batter)

Size	Price Ea.	Wt. Ea. Lbs.
6"		52
7"		57
8"		65
9"-10"		77
11"-12"		88
13"-14"		91.5
15"-16"		103
17"-18"		115.5
19"-20"		128



FULL BATTER TRANSITION FORM



560H
Female

559H
Male

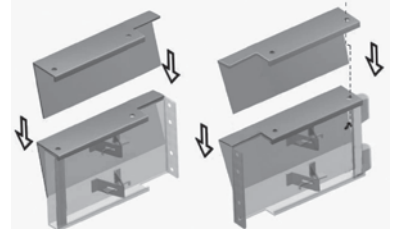
PARTIAL BATTER TRANSITION FORM



560G
Female

559G
Male

PARTIAL BATTER DROP ON TRANSITION FILLER FORM



560B
Female

559B
Male

Steel Forms for Sidewalk - Drive Over and High Curbs

Group "E" For Straight Forms

Part #	Pcs.	Description	List Price Each
205	10	10" x 10' Straight (back) Form-3 Pocket	
205	10	6" x 10' Straight (front) Form-3 Pocket	
350	11	10" x 24" "E" Full Division Plates	
201	60	3/4" x 24" Form Pins	



For Drive-Over Curbs & Gutter

For 100 LF. Total List \$ of Package
Total Weight for 100 LF. = 1588 lbs.

Group "E-R" For Radius Forms

Part #	Pcs.	Description	List Price Each
507	10	10" x 10' Flexible (back) Form-7 Pocket	
507	10	6" x 10' Flexible (front) Form-7 Pocket	
625	20	Heavy Duty Lock Clamps	
352	10	10" x 24" "E" Full Division Plates	
353	50	10" x 24" "E" Skeleton Division Plates	
201	140	3/4" x 24" Form Pins	

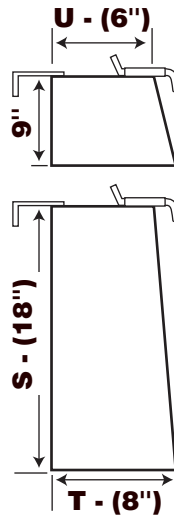
For 100 LF. Total List \$ of Package
Total Weight for 100 LF. = 1582 lbs.

Group "H" For Straight Forms

Full Batter Curb - with 2" Batter - also available with 1" or greater Batter

Part #	Pcs.	Description	List Price Each
216	10	18" x 10' Straight (back) Form-3 Pocket	
225	10	18" x 10' Full Batter (front) Form-3 Pocket	
304	20	6" Curb Top Spreaders	
610	20	Small Slotted Bolts	
675	20	Small Bent Wedges	
368	11	6" x 8" x 18" "H" Full Division Plates	
201	60	3/4" x 36" Form Pins	

For 100 LF. Total List \$ of Package
Total Weight for 100 LF. = 3241 lbs.



Group "H-R" For Radius Forms

Full Batter Curb - with 2" Batter - also available with 1" or greater Batter

Part #	Pcs.	Description	List Price Each
507	10	18" x 10' Flexible (back) Form-7 Pocket	
507	10	18" x 10' Flexible (front) Form-7 Pocket	
576	10	18" x 10' Flexible Face Plate	
625	40	Heavy Duty Lock Clamps	
370	10	6" x 8" x 18" "H" Full Division Plates	
371	50	6" x 8" x 18" (9") "H" Half Division Plates	
201	140	3/4" x 36" Form Pins	

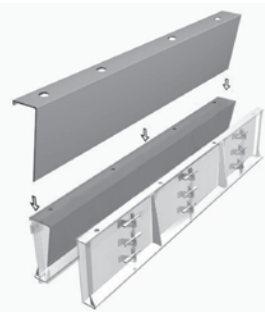
For 100 LF. Total List \$ of Package
Total Weight for 100 LF. = 3968 lbs.

Option 2 - Using filler forms

Group "H" For Straight Forms

Full Batter Curb - with 2" Batter - also available with 1" or greater Batter

Part #	Pcs.	Description	List Price Each
216	10	18" x 10' Straight (back) Form-3 Pocket	
216	10	18" x 10' (front) Form-3 Pocket	
255B	10	18" Full Batter Drop on Filler Form	
301	20	8" Curb - Top Spreaders	
610	40	Small Slotted Bolts	
675	40	Small Bent Wedges	
368	11	6" x 8" x 18" "H" Full Division Plates	
201	60	3/4" x 36" Form Pins	

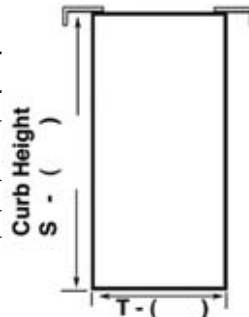


For 100 LF. Total List \$ of Package
Total Weight for 100 LF. = 4339 lbs.

Group "F" For Straight Forms

Part #	Pcs.	Description	List Price Each
216	10	18" x 10' Straight (back) Form-3 Pocket	
216	10	18" x 10' Straight (front) Form-3 Pocket	
301	20	6" Curb - Top Spreaders	
356	11	6" x 6" x 18" "F" Full Division Plates	
201	60	3/4" x 36" Form Pins	

For 100 LF. Total List \$ of Package
Total Weight for 100 LF. = 3176 lbs.



Group "F-R" For Radius Forms

Full Batter Curb - with 2" Batter - also available with 1" or greater Batter

Part #	Pcs.	Description	List Price Each
507	10	18" x 10' Flexible (back) Form-7 Pocket	
507	10	18" x 10' Flexible (front) Form-7 Pocket	
625	40	Heavy Duty Lock Clamps	
358	10	6" x 6" x 18" "F" Full Division Plates	
359	50	6" x 6" x 18" (9") "F" Half Division Plates	
201	140	3/4" x 36" Form Pins	

For 100 LF. Total List \$ of Package
Total Weight for 100 LF. = 3238 lbs.

CURB FACE FORMS AND DIVISION PLATES ARE FABRICATED TO MEET ANY SPECIFICATIONS

TERMS: 1% for cash in 15 days. Net 30 days, when credit is established. Otherwise check with order. No C.O.D. shipments. All prices are F.O.B. factory. No goods can be returned without authorization. ALL returns subject to 15% restocking charge. We reserve the right to change prices and design without notice.

Partial Batter High Curbs

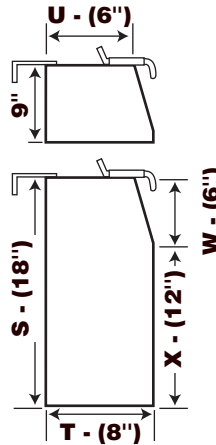
Option 1 - Using curb face form

Group "G" For Straight Forms

Partial Batter Curb - with 2" Batter - also available with 1" or greater Batter

Part #	Pcs.	Description	List Price Each
216	10	18" x 10' Straight (back) Form-3 Pocket	
205	10	12" x 10' Straight (front) Form-3 Pocket	
240	10	6" x 10" "B" Curb Face Form	
303	20	6" Curb - Top Spreaders	
610	60	Small Slotted Bolts	
675	60	Small Bent Wedges	
362	11	6" x 8" x 18" "G" Full Division Plates	
201	60	3/4" x 36" Form Pins	

For 100 LF. Total List \$ of Package
 Total Weight for 100 LF. = 3121 lbs.



Group "G-R" For Radius Forms

Partial Batter Curb - with 2" Batter - also available with 1" or greater Batter

Part #	Pcs.	Description	List Price Each
507	10	18" x 10' Flexible (back) Form-7 Pocket	
507	10	12" x 10' Flexible (front) Form-7 Pocket	
516	10	6" x 10" "B" Curb Face Form	
625	50	Heavy Duty Lock Clamps	
512	10	2" x 2" x 10' Flex Rails for Forms	
364	10	6" x 8" x 18" "G" Full Division Plates	
365	50	6" x 8" x 18" (9") "G" Half Division Plates	
201	140	3/4" x 36" Form Pins	

For 100 LF. Total List \$ of Package
 Total Weight for 100 LF. = 3164 lbs.

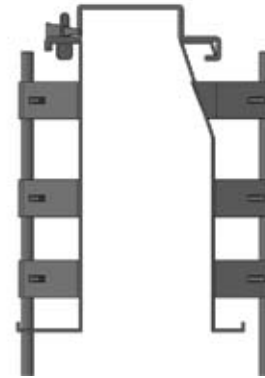
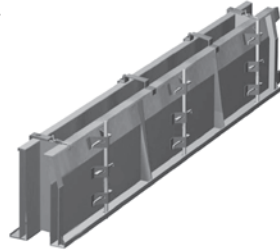
Options 2 - Using one piece front form

Group "G" For Straight Forms

Partial Batter Curb - with 2" Batter - also available with 1" or greater Batter

Part #	Pcs.	Description	List Price Each
216	10	18" x 10' Straight (back) Form-3 Pocket	
235	10	18" x 10' Straight (front) Form-3 Pocket	
303	20	6" Curb - Top Spreaders	
610	60	Small Slotted Bolts	
675	60	Small Bent Wedges	
362	11	6" x 8" x 18" "G" Full Division Plates	
201	60	3/4" x 36" Form Pins	

For 100 LF. Total List \$ of Package
 Total Weight for 100 LF. = 3191 lbs.



Option 3 - Using filler forms

Group "G" For Straight Forms

Partial Batter Curb - with 2" Batter - also available with 1" or greater Batter

Part #	Pcs.	Description	List Price Each
216	10	18" x 10' Straight (back) Form-3 Pocket	
216	10	18" x 10' Straight (front) Form-3 Pocket	
255B	10	6" x 10' Partial Batter Filler Form	
301	20	8" Curb - Top Spreaders	
610	40	Small Slotted Bolts	
675	40	Small Bent Wedges	
362	11	6" x 8" x 18" "G" Full Division Plates	
201	60	3/4" x 36" Form Pins	

For 100 LF. Total List \$ of Package
 Total Weight for 100 LF. = 3709 lbs.



Straight Partial Batter
 Drop On Filler Shown

Group "G-R" For Radius Forms

Partial Batter Curb - with 2" Batter - also available with 1" or greater Batter

Part #	Pcs.	Description	List Price Each
507	10	18" x 10' Flexible (back) Form-7 Pocket	
507	10	18" x 10' Flexible (front) Form-7 Pocket	
576	10	6" x 10' Flexible Face Plate	
625	50	Heavy Duty Lock Clamps	
364	10	6" x 8" x 18" "G" Full Division Plates	
365	50	6" x 8" x 18" (9") "G" Half Division Plates	
201	140	3/4" x 36" Form Pins	

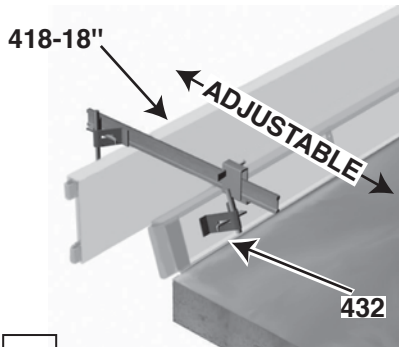
For 100 LF. Total List \$ of Package
 Total Weight for 100 LF. = 3838 lbs.



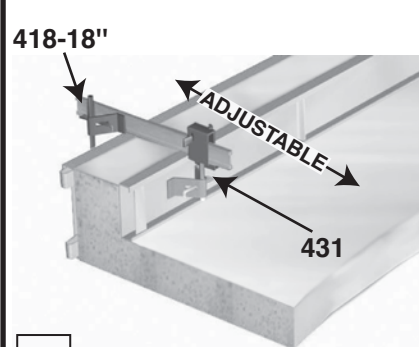
Radius Partial Batter
 Drop On Filler Shown

All Purpose Hangers for Steel and Wood Forms

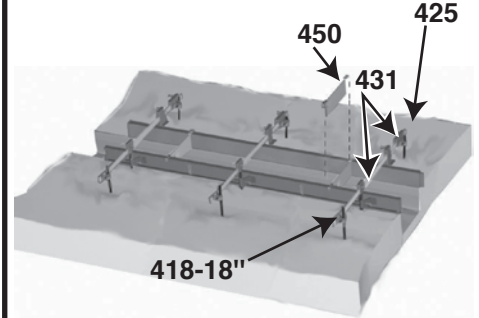
Adjustable Hangers for Wood or Steel Forms, Curbs and Gutters, Trenched Footers and Extenders for Edge Forms



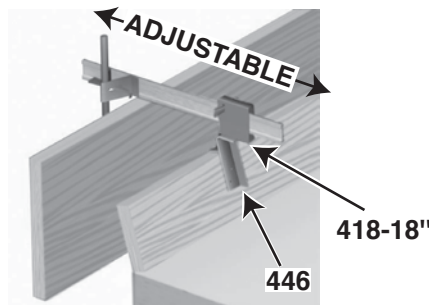
P Steel Battered Curb



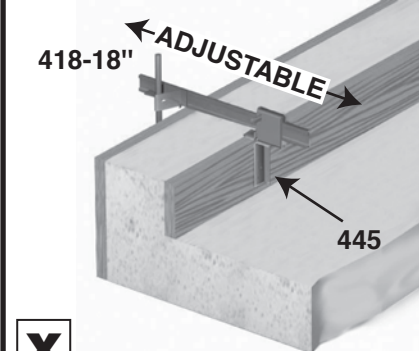
V Steel Straight Face Curb



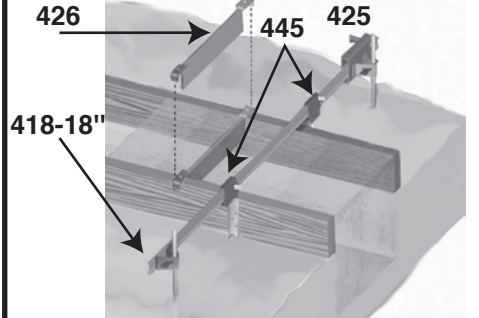
D Trenched Footers with Exposed Concrete



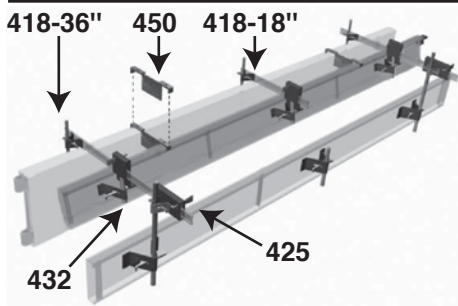
T Curb Only



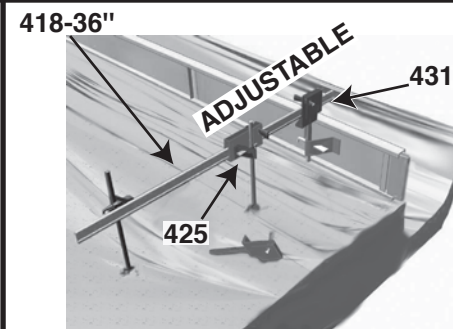
X Stub Walls



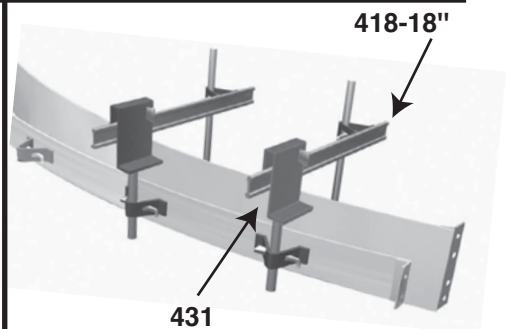
N Trenched Footers with Exposed Concrete



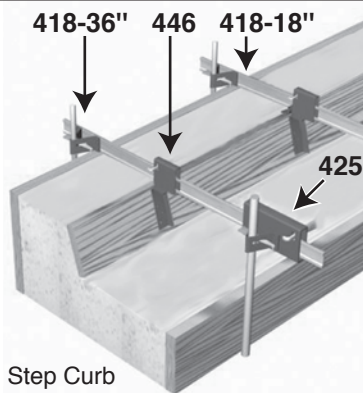
C Step Curb and Gutter



L Extenders or Kickers



W Radius Straight Face Curb



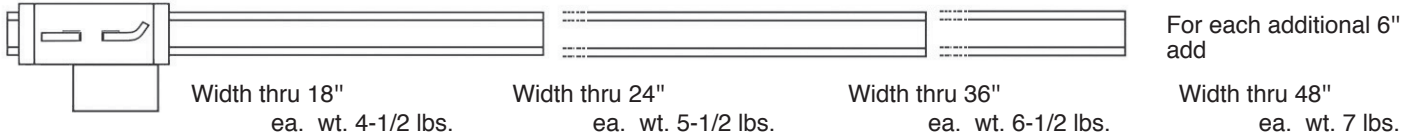
M Step Curb

The combination of the Slide Bars and Slide Pockets with the Form Hangers provides fast, accurate form placement and rapid horizontal and vertical adjustment.

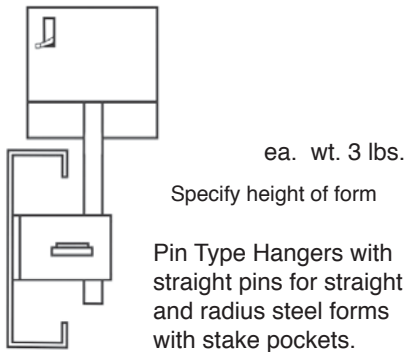
See page 15 for details and prices.

Adjustable Hangers for Steel and Wood Forms, Curbs and Gutters, Trenched Footers and Extenders for Edge Forms

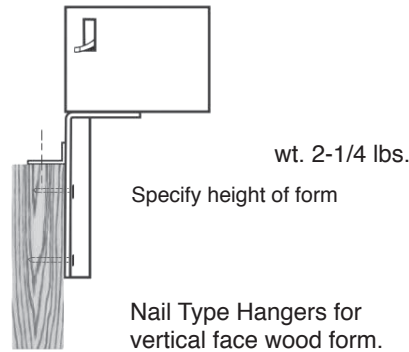
418 SLIDE BARS with welded stake pockets - standard lengths: 18", 24", 36", 48", also available in any length required.



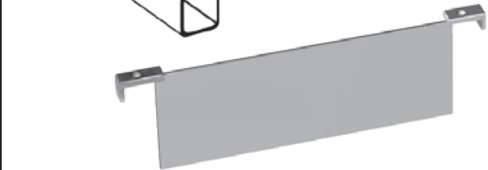
431 FOR STEEL FORMS



445 FOR WOOD FORMS

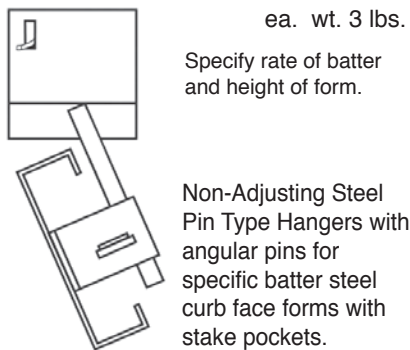


425 SLIDE POCKETS with fast acting wedges. ea. wt. 4 lbs.

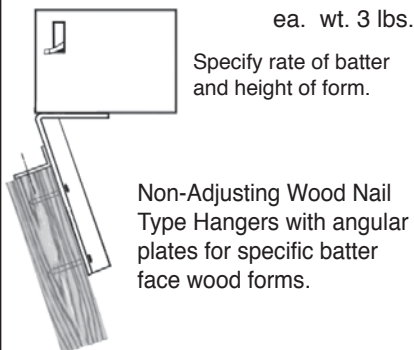


FORM SETTING TEMPLATES
 For widths up to 8"

432



446



450 For straight steel forms
 ea. wt. 3 lbs.

430 For radius steel forms
 ea. wt. 3 lbs.

426 For wood forms
 ea. wt. 3 lbs.

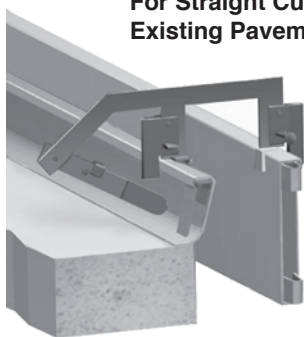
For each additional 6" add
 Available in any depth or width required

402 RIGID HANGERS FOR STEEL FORMS

Short Hangers - with Claw Locks
 ea. wt. 7 lbs.

When ordering specify type and height of Curb Face Form.

For Straight Curb with Existing Pavement



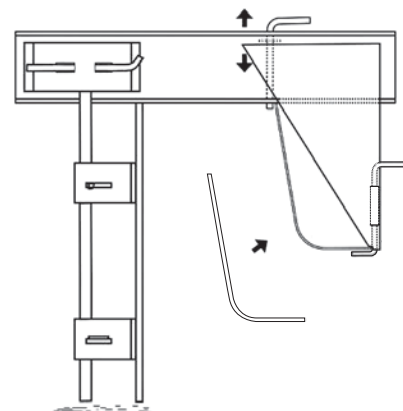
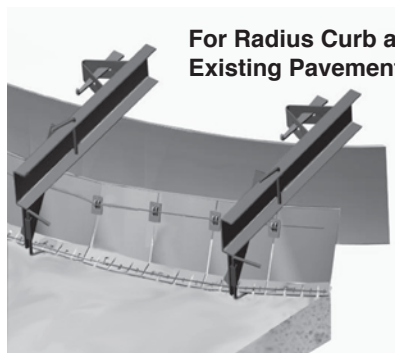
409 SHORT HANGERS

For use with Flexible Batter Curb Forms With Channel Hangers.

Short Hangers ea. wt. 6-1/2 lbs.

When ordering specify type and height of Curb Face Form.

For Radius Curb and Existing Pavement

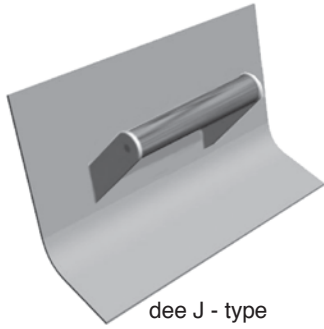


Rotating Clips lock Curb Face Forms to Hangers.

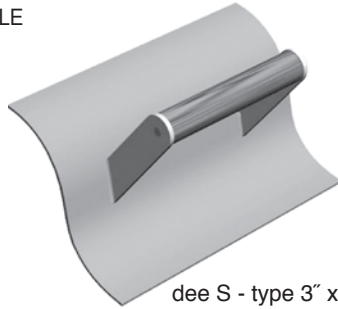
Curb Tools

Due to the vast choices
please call us for pricing

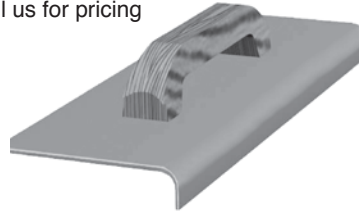
- NON FLEXING
- 12 GAUGE MATERIAL
- LONG LASTING STEEL CONSTRUCTION
- WE MATCH YOUR EXACT PROFILE



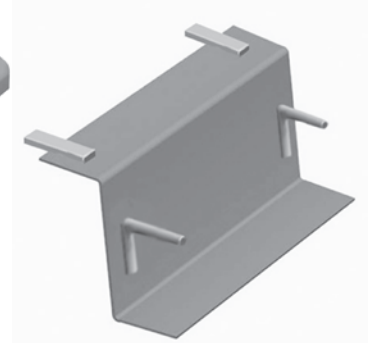
dee J - type
face tool for bottom radius



dee S - type 3" x 3" radius

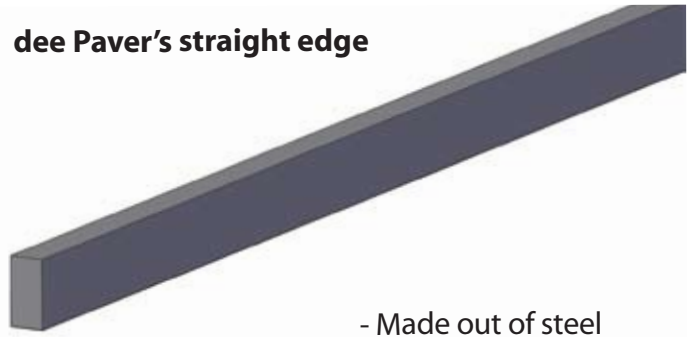


dee nose tool for
top edge radius



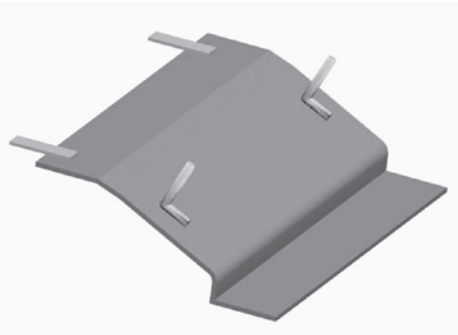
dee special step curb tool

dee Paver's straight edge



Shown: 1" x 2"
weight per foot 3.7 lbs.
other sizes available

- Made out of steel
- Sharp edges
- Heavier than Aluminum or Magnesium



dee special mountable curb tool

Stake Tray



Painted safety orange

For round stakes and pins and flat stakes.
Will hold 12" up to 24" long

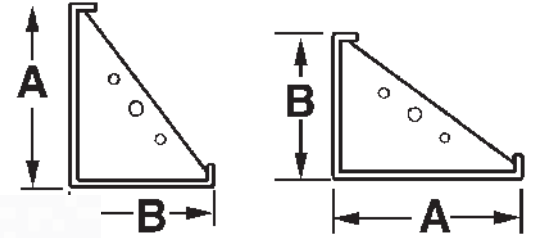
- 14ga American steel.
- Rubber bumpers on bottom to keep from sliding in truckbeds.
- weight 8.5 lbs.

Tilt Up Super Flat

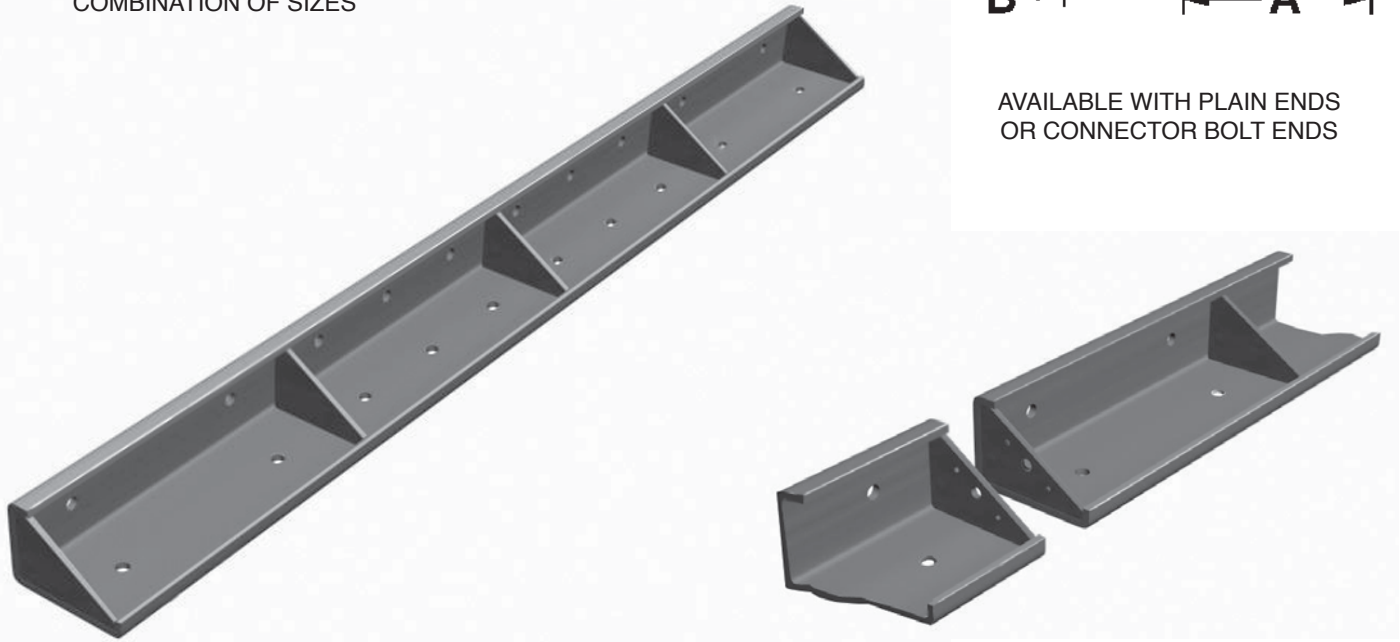
222 TILT UP FORMS REVERSIBLE

PRICES ON REQUEST

AVAILABLE IN ANY
COMBINATION OF SIZES



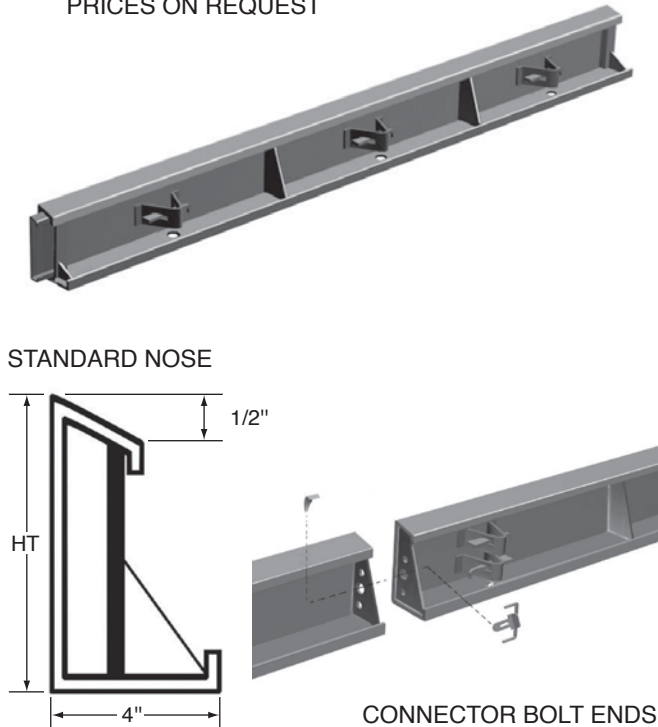
AVAILABLE WITH PLAIN ENDS
OR CONNECTOR BOLT ENDS



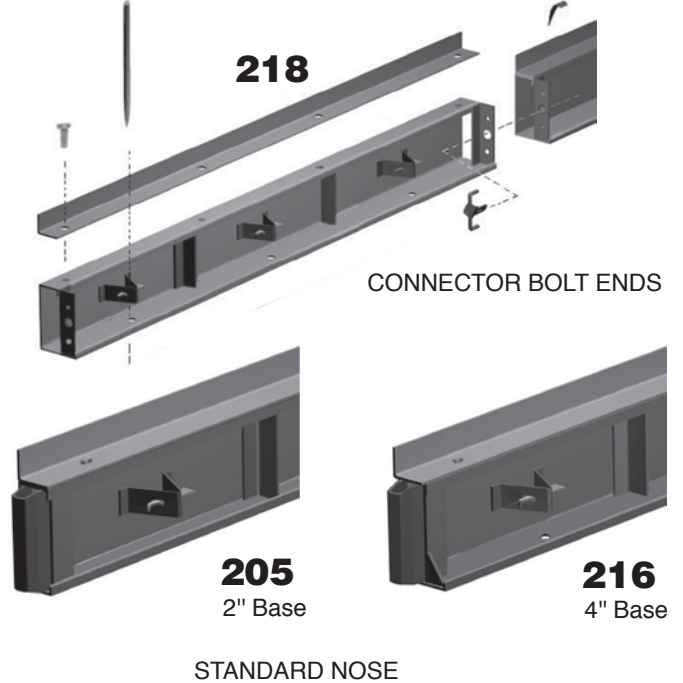
244 SUPER FLAT FORMS

PRICES ON REQUEST

AVAILABLE WITH STANDARD NOSE OR CONNECTOR BOLT ENDS



SUPER FLAT FORMS WITH ATTACHED ANGLE



Sidewalk and Rehab Forms

Sidewalk Straight Forms

Part #	Pcs.	Description	List Price Each
205	20	4" x 10' Straight Form - 3 Pocket	
*322	5	4" x 4' Sidewalk Division Plate	
201	60	3/4" x 12" Form Pins	

For 100 LF. Total List \$ of Package
 Total Weight for 100 LF. = 916 lbs.

* Suggested quantity-if you require more please advise.



Group "E-R" For Radius Forms

Part #	Pcs.	Description	List Price Each
507	20	4" x 10' Radius Form - 7 Pocket	
320	10	4" x 4' Sidewalk Division Plate	
625	20	Heavy Duty Lock Clamps	
201	140	3/4" x 12" Form Pins	

For 100 LF. Total List \$ of Package
 Total Weight for 100 LF. = 835 lbs.

Sidewalk Division Plate

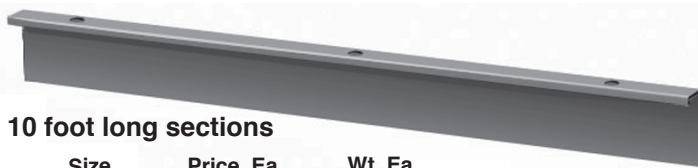
322 for Straight
320 for Radius

Available in any Length	Each	Weight	For each Addit. 12" Add
4" high x 4' long or less		9 lbs.	2 lbs.
5" high x 4' long or less		11 lbs.	2-1/2 lbs.
6" high x 4' long or less		13 lbs.	3 lbs.

When ordering, specify thickness and width of sidewalk.

Use Our Sidewalk Repairman Forms & Accessories

255-R Sidewalk Repairman Forms



10 foot long sections

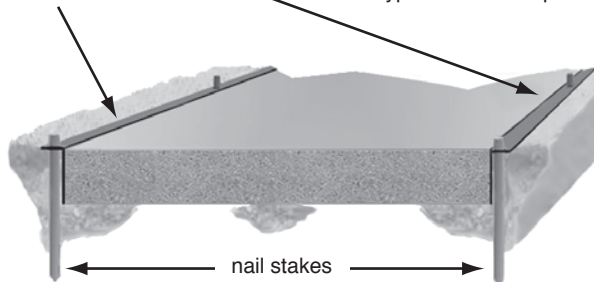
Size	Price Ea.	Wt. Ea.
4" x 10'		26 lbs.
5" x 10'		30 lbs.
6" x 10'		34 lbs.

5 foot long sections

Size	Price Ea.	Wt. Ea.
4" x 5'		13 lbs.
5" x 5'		15 lbs.
6" x 5'		17 lbs.

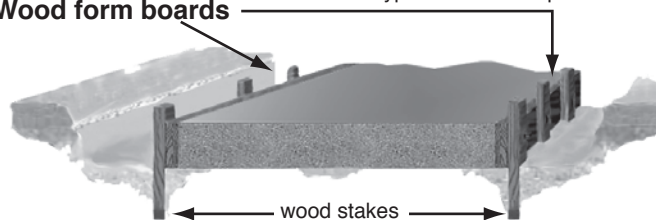
255 Rehab Forms

Typical steel set up



Wood form boards

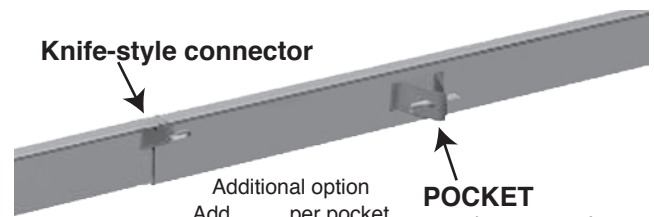
Typical wood set up



Additional option
 Knife-style connector and retainer clip



Knife-style connector



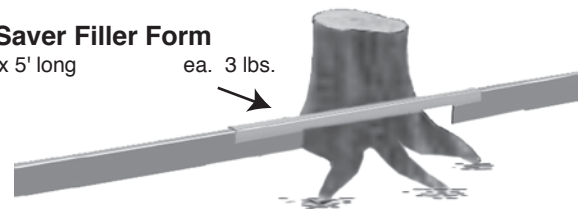
Additional option
 Add per pocket

POCKET

2 pockets per 10 foot section.
 Dig out only 2 small areas.

249 Root Saver Filler Form

2" high x 5' long ea. 3 lbs.






The City Specialties Product Line includes:




- Sidewalk Repairman - Steel flatwork sidewalk forms developed specifically for the replacement of damaged or old existing concrete city sidewalks. These forms can be installed quickly and easily, reducing labor expenses and preserving adjacent sod saving restoration costs.
- Filler Form - A metal filler form that allows spaces up to 5 feet between forms to be bridged quickly and easily by slipping the filler form over the top rails of the forms to be connected, saving the labor required to cut and then "scab in" a piece of wood to bridge the gap between the forms.
- Root Saver - A custom adjustable metal filler form that allows work crews to easily place level concrete over areas where exposed roots intersect the sidewalk, reducing labor costs by not having to cut out roots or form around roots, and potentially saving the tree or tree replacement costs.

Steel Form Replacement Parts

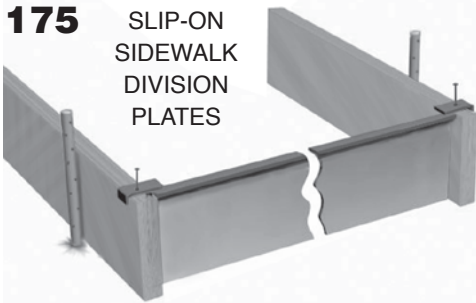
Replacement parts for STRAIGHT FORMS

<p>901 Single pocket and wedge set</p>  <p style="text-align: center;">1.7 lbs.</p>	<p>907 single pocket only</p>  <p style="text-align: center;">1.2 lbs.</p>	<p>908 Large wedge for stake pockets</p>  <p style="text-align: center;">.67 lbs.</p>																				
<p>910 Standard replacement nose</p> <table border="1" style="width: 100%; border-collapse: collapse; margin-top: 10px;"> <thead> <tr> <th style="text-align: left;">Nose height</th> <th style="text-align: left;">For form height</th> <th style="text-align: left;">Price</th> <th style="text-align: left;">Weight</th> </tr> </thead> <tbody> <tr> <td>3"</td> <td>7" and 8" 2 required</td> <td></td> <td>.50 lbs</td> </tr> <tr> <td>3.5"</td> <td>4" 9" thru 24" 2 required</td> <td></td> <td>.84 lbs</td> </tr> <tr> <td>4.5"</td> <td>5"</td> <td></td> <td>1.18 lbs</td> </tr> <tr> <td>5.5"</td> <td>6"</td> <td></td> <td>1.50 lbs</td> </tr> </tbody> </table> 		Nose height	For form height	Price	Weight	3"	7" and 8" 2 required		.50 lbs	3.5"	4" 9" thru 24" 2 required		.84 lbs	4.5"	5"		1.18 lbs	5.5"	6"		1.50 lbs	 <p>End Clips for straight forms #944 for steel #945 for wood</p> <p>Curb Face form clip #941 for straight or radius</p> <p>#945 End Clips for radius forms</p> <p>#935 Rotating clip for radius division plate to hold top of curb face form</p> <p>#941 Curb Face form clip for straight or radius forms</p>
Nose height	For form height	Price	Weight																			
3"	7" and 8" 2 required		.50 lbs																			
3.5"	4" 9" thru 24" 2 required		.84 lbs																			
4.5"	5"		1.18 lbs																			
5.5"	6"		1.50 lbs																			

Replacement parts for RADIUS FORMS

<p>904 Single pocket and wedge set</p>  <p style="text-align: center;">1.7 lbs.</p>	<p>905 Double pocket and wedge set</p>  <p style="text-align: center;">3 lbs.</p>	<p>923 End angles</p> <table border="1" style="width: 100%; border-collapse: collapse; margin-top: 10px;"> <thead> <tr> <th style="text-align: left;">Angle length</th> <th style="text-align: left;">For form height</th> <th style="text-align: left;">Price</th> </tr> </thead> <tbody> <tr> <td>4"</td> <td>4" and 5"</td> <td></td> </tr> <tr> <td>6"</td> <td>6" thru 11" 16" thru 23"-2 required</td> <td></td> </tr> <tr> <td>12"</td> <td>12" thru 15" 24"-2 required</td> <td></td> </tr> </tbody> </table>	Angle length	For form height	Price	4"	4" and 5"		6"	6" thru 11" 16" thru 23"-2 required		12"	12" thru 15" 24"-2 required	
Angle length	For form height	Price												
4"	4" and 5"													
6"	6" thru 11" 16" thru 23"-2 required													
12"	12" thru 15" 24"-2 required													
		<p>948 Rivet for pocket or end angles</p> 												

Accessories For Use With Wood Forms

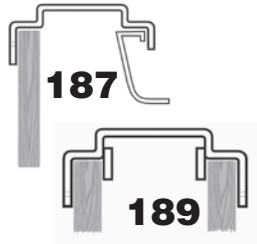


175 SLIP-ON
SIDEWALK
DIVISION
PLATES

SIDEWALK DIVISION PLATES

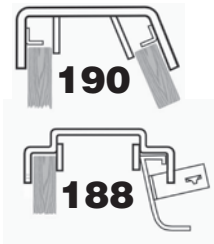
Available in any Width	Each	Weight	For each Addit. 12" Add
4" high x 4' long or less		9 lbs.	2 lbs.
5" high x 4' long or less		11 lbs.	2-1/2 lbs.
6" high x 4' long or less		13 lbs.	3 lbs.

For use with 2X dressed lumber.
When ordering, specify thickness and width of sidewalk.

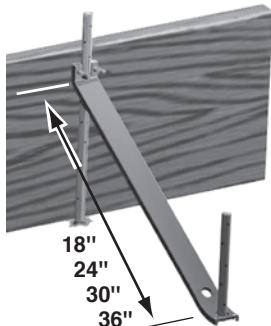


TOP SPREADERS

No. 187	Top spreader for use with steel curb face form with division plates	1.6 lbs.
No. 188	Top spreader for use with steel curb face form without division plates.....	2.5 lbs.
No. 189	Top spreader straight face for wood forms.....	2.5 lbs.
No. 190	Top spreader battered face for wood forms	2.5 lbs.



161 STANDARD

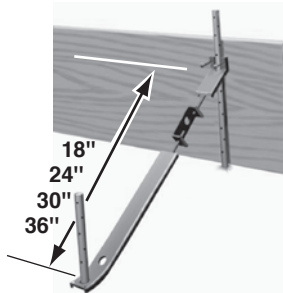


Length	Price Ea.	Std. Pkg.	Pkg. Wt.
18"		10	25 lbs.
24"		10	32 lbs.
30"		10	40 lbs.
36"		10	48 lbs.

FORM BRACES

Length	Price Ea.	Std. Pkg.	Pkg. Wt.
18"		10	32 lbs.
24"		10	40 lbs.
30"		10	48 lbs.
36"		10	55 lbs.

165 ADJUSTABLE



264 filler type for USE with WOOD

with 12" x 12" legs.
EASY CURVE FORMS

OUTSIDE



6" radius

153 FORM SPREADERS



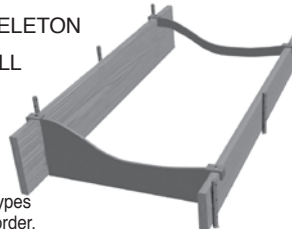
For concrete thickness from 6" to 24"
Packaged 20, Weight 40 lbs.
Additional 12" add and 1 lb.
For use with 7/8" stakes add

For use with 3/4" or 7/8" stakes, specify stake size when ordering.

SLIP-ON DIVISION PLATE

181 SKELETON

180 FULL



see page 6 for prices

Special sizes & types can be made to order.

Height	Price ea.	Wt. lbs.
3-1/2"		5
5-1/2"		7.5
11-1/4"		16

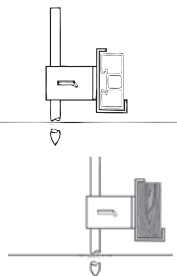
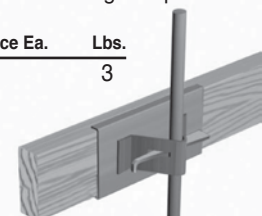
When ordering specify wood size, height and type and whether inside or outside corners are required. Standard radius 6" Custom Radius and heights available. Prices on request. Available in Heights up to 24".

FIXED WOOD OR PLASTIC HOLDER

163 3-1/2" high for wood or plastic forms

164 4" high for plastic forms

Price Ea. Lbs.
3



Form Pin not included.

177 STAKE POCKETS FOR WOOD



screws not included

Price Ea. Lbs.
2-1/4

266 filler type for USE with WOOD

with 12" x 12" legs.
EASY CURVE FORMS

INSIDE



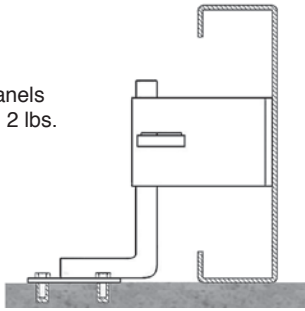
6" radius

Extension-Bracing-Screeding

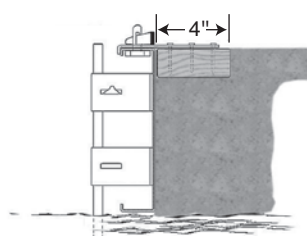
HOLD DOWN BRACKET

454

for tilt up panels
2 lbs.

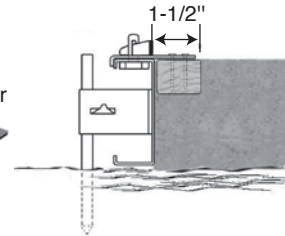


LEDGE FORM HOLDERS Lock to Rails with Slotted Bolts and Wedges



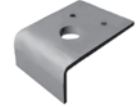
472

large holder



473

small holder

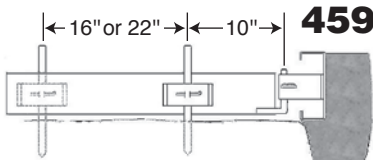


Large Ledge Form Holders for 2" x 4"
Small Ledge Form Holders for 2" x 2"

2 lbs.
1 lb.

EXTENSION POCKETS - Swivel Type - 3/4" End Hooks

When ordering specify form height being used.



459

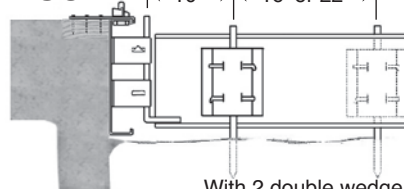
16" Ext. 22"

8 lbs. 9 lbs.

With 2 single wedge pockets for 4" to 8" forms.

Just slide the hooks into the pockets of any standard form.

460



16" Ext. 22"

15 lbs. 18 lbs.

With 2 double wedge pockets for 9" to 12" forms.

464 STANDARD



Length	Price ea.	Std. pkg.	Pkg. wt.
18"		10	25 lbs.
24"		10	32 lbs.
30"		10	40 lbs.
36"		10	48 lbs.

HOOK BRACES

Length	Price ea.	Std. pkg.	Pkg. wt.
18"		10	32 lbs.
24"		10	40 lbs.
30"		10	48 lbs.
36"		10	55 lbs.

499 STAKE BRACE For all types of forms

Length	Price ea.	Std. pkg.	Pkg. wt.
18"		10	25 lbs.
24"		10	32 lbs.
30"		10	40 lbs.
36"		10	48 lbs.



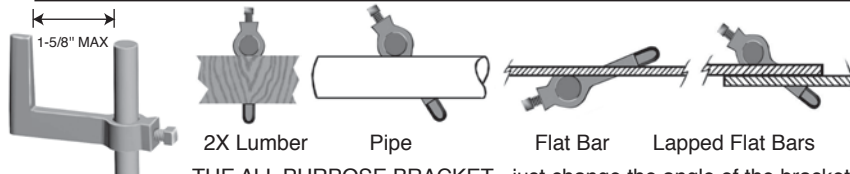
466
ADJUSTABLE



for flexible



DUAL TYPE
for straight

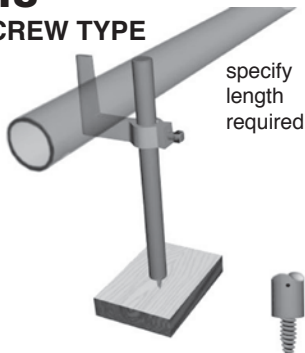


ADJUSTABLE SCREED BAR HOLDER

107 for use with 3/4" or 7/8" DIA posts

Wt. 5/8 lbs.

118 SCREW TYPE



specify
length
required

3/4" SCREED POSTS WITH SCREW TYPE POINTS

For use with wood forms

	Price. ea.	Wt. lbs.
6" to 12" long		1.5
13" to 24" long		2.5
25" to 36" long		4.0

SCREED POSTS

For use with screed pads

	Price. ea.	Wt. lbs.
Specify Length 6" - 12"		1.5
Required 13" - 24"		2.5

SCREED PAD

Wt. 1/4 lbs.

110



122 PAD TYPE



Econoline Paving

AVAILABLE

Standard

3/16" - dee part #226E

1/4" - dee part #227E

Reversible:

3/16" - dee part #210E

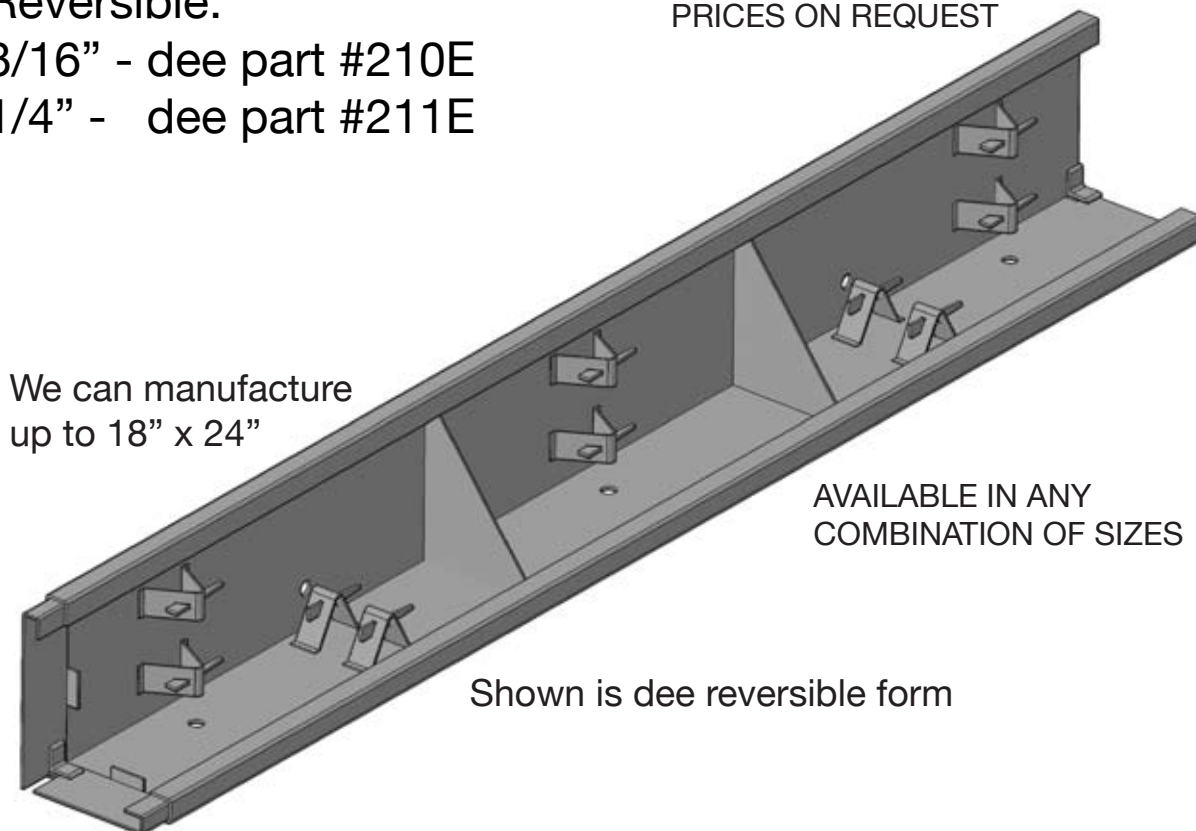
1/4" - dee part #211E

CONTRACTOR BENEFITS

- 1) Affordability
- 2) Short lead times
- 3) Uses 3/4 or 7/8 stakes•

•1" dia stakes will not fit

PRICES ON REQUEST

We can manufacture
up to 18" x 24"AVAILABLE IN ANY
COMBINATION OF SIZES

Shown is dee reversible form

- 1) Full height sliding nose
- 2) Full height gussets

OPTIONAL FEATURES

Holes for Keyway
Holes for Dowels

PRIMARY APPLICATIONS

INTERSECTIONS

RAMPS

AIRPORT RUNWAYS

ROADWAYS

TAPER POURS

Accessories for Paving Forms

Grade 60 ASTM A615

dee® Dowel Bars

Saw cut to any lengths

615

1/2" dia.

Length	Price	
	Ea.	WT ea. lbs.
12"	.67	
16"	.89	
18"	1.00	
20"	1.11	
24"	1.33	
30"	1.67	
36"	2.00	
42"	2.34	
48"	2.67	

617

3/4" dia.

Length	Price	
	Ea.	WT ea. lbs.
12"	1.52	
16"	2.00	
18"	2.08	
20"	2.53	
24"	3.00	
30"	3.75	
36"	4.50	
42"	5.30	
48"	6.00	

619

1" dia.

Length	Price	
	Ea.	WT ea. lbs.
12"	2.67	
16"	3.56	
18"	4.00	
20"	4.45	
24"	5.34	
30"	6.67	
36"	8.01	
42"	9.35	
48"	10.68	

Available in different lengths. Longer lengths available.
Prices on request.



dee® COLD ROLLED SOLID STEEL FORM PINS

Without holes -- For use with Steel Forms only.

Fits our Econoline Paving Forms

201

3/4" dia.

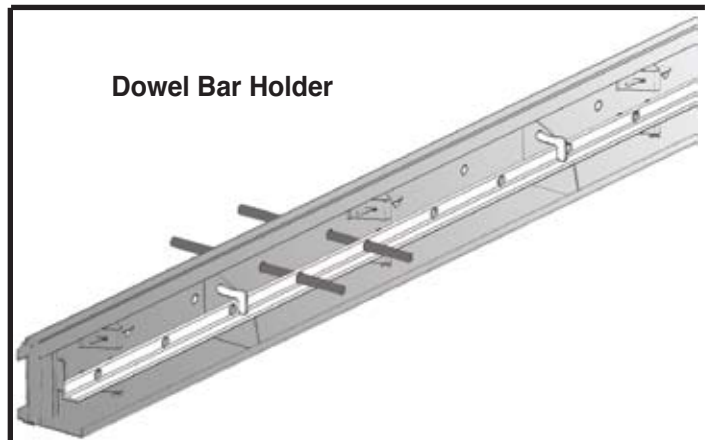
Length	Price		Std. Pcs.	Pkg. Wt. Lbs.
	Ea.			
12"		25	38	
18"		25	52	
24"		25	75	
30"		20	75	
36"		10	45	
42"		10	53	
48"		10	60	

202

7/8" dia.

12"	10	20
18"	10	30
24"	10	40
30"	10	50
36"	10	60
42"	10	70
48"	10	80

Available in different lengths. Prices on request.



Specifications for Cold Rolled Steel Median Barrier Securing Pins

Median Barrier Securing Pins shall be made exclusively from American cold rolled steel. Grades typically purchased will range from 1018 to 1215. Pin cold roll material shall be of a quality and density that will withstand ongoing use and reuse. Manufacturer is responsible for material selection and quality, if not specified or supplied by customer.

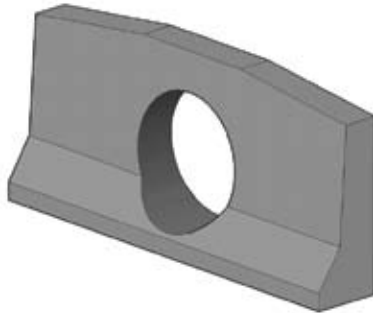
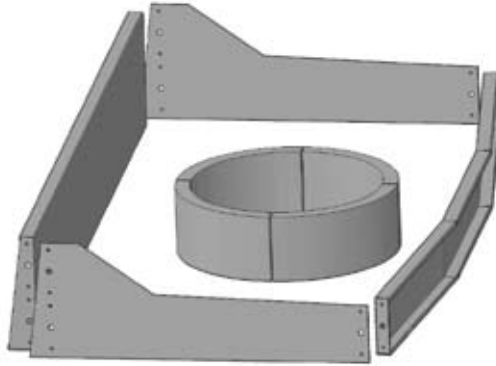


1" Barrier Pins with Welded Washer

Available options include:

- any lengths available
- 7/8" or 1" diameter
- Angle cut tip
- Lathe cut tip
- Hole placement as specified
- Securing washer with a 1" or 7/8" ID welded in place

Headwall Forms



Headwall Form sets for any size configuration.

Adjustable or fixed height.

Available with multiple inserts to accommodate specified pipe sizes.

Headwalls can be poured onsite or in your equipment yard.

Special designs available.

Lifting elements available.

Drain and Sewer Covers

Drain/Sewer covers for non-DOT applications

Applications

Floor drains/sewer covers:

- Residential
- Commercial
- Industrial
- Swimming pools
- Process tanks
- Spa's
- Process equipment

Laser cut to any diameter.

Mounting holes available

Laser etched identifiers:

Part #'s
Job/Facility name
Company name



* Available in stainless steel and other alloys

Agriculture

Bill of Materials Typical Sizes

GRAIN BINS

(Forms available for any size bin)

20 FOOT DIAMETER

Part #	Pcs.	Description	List Price ea.
507	6	24" x 10' Flexible Form	
525	1	24" x 5' Flexible Form	
625	14	Heavy Duty Lock Clamps	
499	25	36" Stake Brace	
201	50	3/4" x 48" Form Pins	
132	1	Stake Puller	
Total List \$ of Package			
Total Weight = 1296 lbs.			

30 FOOT DIAMETER

Part #	Pcs.	Description	List Price ea.
507	9	24" x 10' Flexible Form	
525	1	24" x 5' Flexible Form	
625	20	Heavy Duty Lock Clamps	
499	35	36" Stake Brace	
201	70	3/4" x 48" Form Pins	
132	1	Stake Puller	
Total List \$ of Package			
Total Weight = 1864 lbs.			

METAL BUILDING SLAB FORMS

Any slab height up to 24". Custom form sets built to plan.

Standard forms are 10 foot long.
 Filler and corner forms used to adjust dimensions.
 and provide perfect square corners.

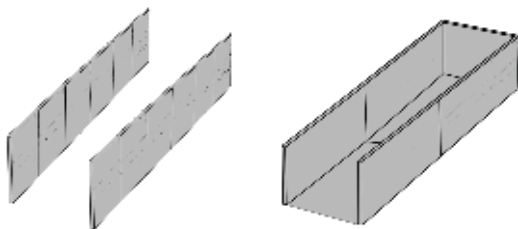
Primary applications Include:

- Storage Buildings
- Work Shops
- Livestock Barns
- Equipment Sheds
- Water/Ag Chemical Tanks

40 FOOT DIAMETER

Part #	Pcs.	Description	List Price ea.
507	12	24" x 10' Flexible Form	
525	1	24" x 5' Flexible Form	
625	26	Heavy Duty Lock Clamps	
499	45	36" Stake Brace	
201	90	3/4" x 48" Form Pins	
132	1	Stake Puller	
Total List \$ of Package			
Total Weight = 2431 lbs.			

STORAGE BINS



**1 form set can be configured to produce
 3 different styles of material bins.**

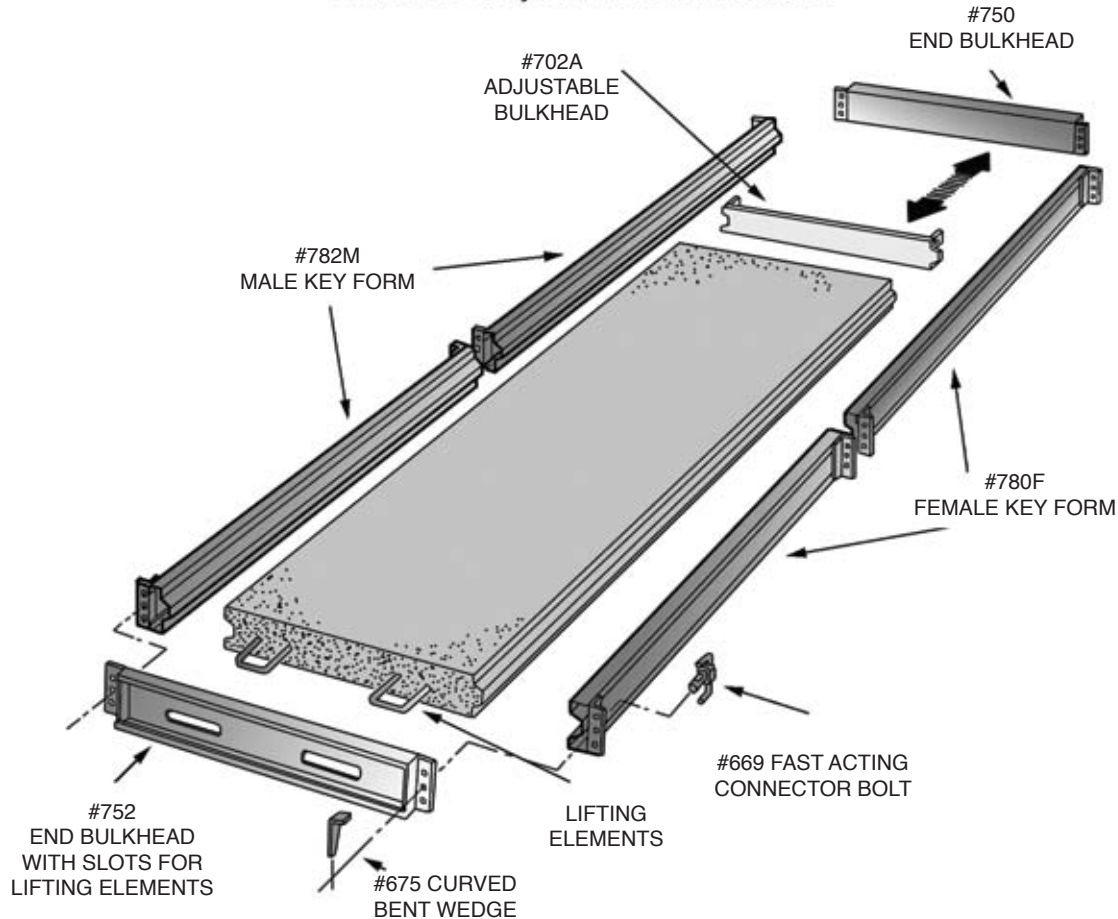
Primary applications Include:

- Agricultural Product Storage - feed corn, hay, silage
- Construction Raw Materials Storage - sized aggregate, gravel, sand, dirt, rock fill
- Landscape/Garden Supply - mulch, compost, manure, dirt, wood chips

Part #	Pcs.	Description	List Price Each
205	12	6" x 10' Straight Form-3 Pocket	
255	16	6" x 5' Filler Form	
782M	2	Male Keyway Form	
780F	2	Female Keyway Form	
610	6	Small Slotted Bolts	
675	6	Small Bent Wedges	
752	1	6" x 5' Bulkhead Form w/Lifting Elements	
750	1	6" x 5' Bulkhead Form	
787	4	Tope Yoke Assembly	
201	50	3/4" x 12" Form Pins	
132	1	Stake Puller	
Total List \$ of Package			
Total Weight = 1266 lbs.			

Specialty Marine Forming

Series 700 Adjustable Seawall Forms

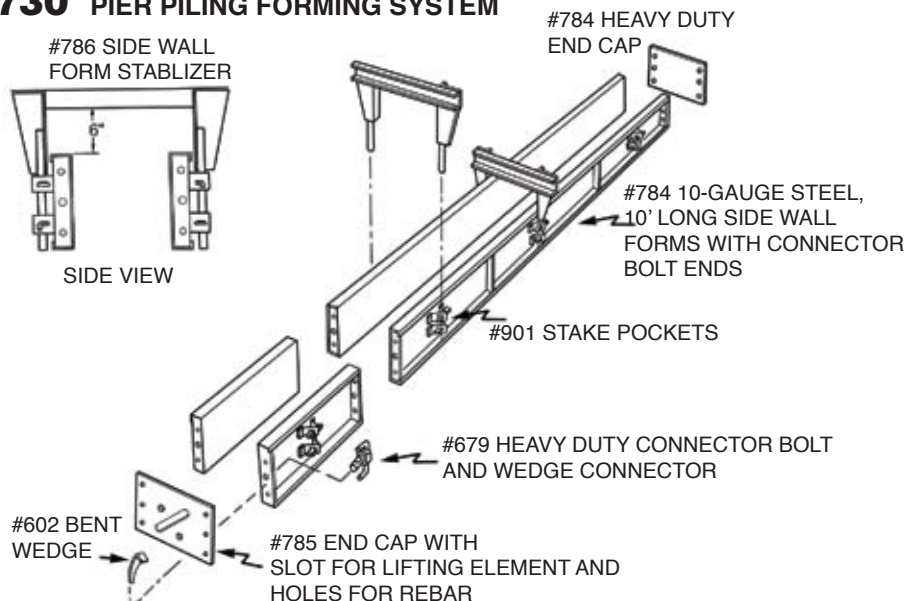


718 PLATFORM JACK



Used in all forms of Marine Applications
 Seawall Cap Forming
 Pier Forming Systems
 Dock Forming & many more.

730 PIER PILING FORMING SYSTEM





Manufactured by:

CONCRETE ACCESSORIES II
Division of Tesko Enterprises

7350 W. Montrose Ave. Norridge, IL 60706
708/452/0250 800/245/1333 Fax 708/452/7220
www.deeconcrete.com

Product Book 2016

page 27 of 28

SPECIFICATIONS FOR STRAIGHT CURB AND GUTTER PROFILE FORMING

The steel forms and accessories shall be a commercial product of latest design in sections 10 feet long. Forms shall be of a gauge of material of sufficient strength and rigidity to withstand the pressure of the concrete. Form faces and Rail Edges shall be free of slots, warps or bends. Form Rails shall provide a smooth form surface for final finishing, and shall have bolt holes to provide for bolting and attachment of various accessories.

The Top and Bottom Rails shall be flanged to provide maximum strength; shall be a minimum of 2" wide and shall provide a smooth surface for finishing, edging, nesting and stacking; all Forms shall have angles welded between the pockets to insure additional reinforcement for the top rail and holes to provide for attachment of form braces; all Stake Pockets, Angles and Noses shall be securely welded in place to insure maximum strength. Stake pockets shall provide full bearing surfaces so that the Wedges will securely lock the forms to the form pins for the full height of the pocket to securely hold the forms to line regardless of sub-grade conditions. The connecting mechanism for joining successive sections shall have self-aligning noses with box ends, both reinforced with ¼" angles to provide a tight joint without locking, latching or fitting.

Forms up to 7-1/2" high shall be made of minimum 12 gauge steel and shall be furnished with 2 or 3 single stake pockets, forms 8" through 16" high shall be made of minimum 10 ga. steel, shall have 3 double stake pockets, forms 17" and higher shall have 3 triple stake pockets, and shall have 4" flanged bottom rails.

Curb Face Forms, made of minimum 12 gauge Steel, shall be smooth, free of holes or slots, and shall be fabricated to meet the exact profile required. They shall be supported by Division Plates locked securely in place with Top Spreaders or Holders.

Division Plates shall be made of minimum 10 gauge steel to conform to the desired curb and gutter profile, shall have clips at the front and back to permit the division plate to be placed anywhere along the form rails to provide a most desirable placement for forming, they shall be provided with clips or holders to securely lock the Curb Face Form in place, and to insure fast easy removal after the concrete is placed.

SPECIFICATIONS FOR RADIUS CURB AND GUTTER FORMS

The steel forms and accessories shall be a commercial product of latest design in sections 10 feet long. Back and Front Radius Forms to be made of high strength special analysis hard rolled spring steel, free of notches, slots or warps and to provide flexibility required to properly form the required radius to a minimum radius of 18". Forms to flatten out completely when released from the pins.

All back and front forms shall have riveted to them 7 sets of stake pockets and wedges to insure exact radius, prevent bowing between pockets and to accurately position and firmly support the form on the stakes in a true vertical position regardless of sub-grade conditions.

Forms 4" through 7" high shall have 7 single wedge stake pockets; forms 8" through 16" shall have 7 double wedge stake pockets; forms 17" through 24" shall have 2 lines of 7 double wedge stake pockets, in order to insure truly vertical staking.

Forms shall be provided with end clips to receive lock clamps to keep forms properly aligned at form joints. Lock Clamp with a pin and clip shall be used to securely lock individual sections together.

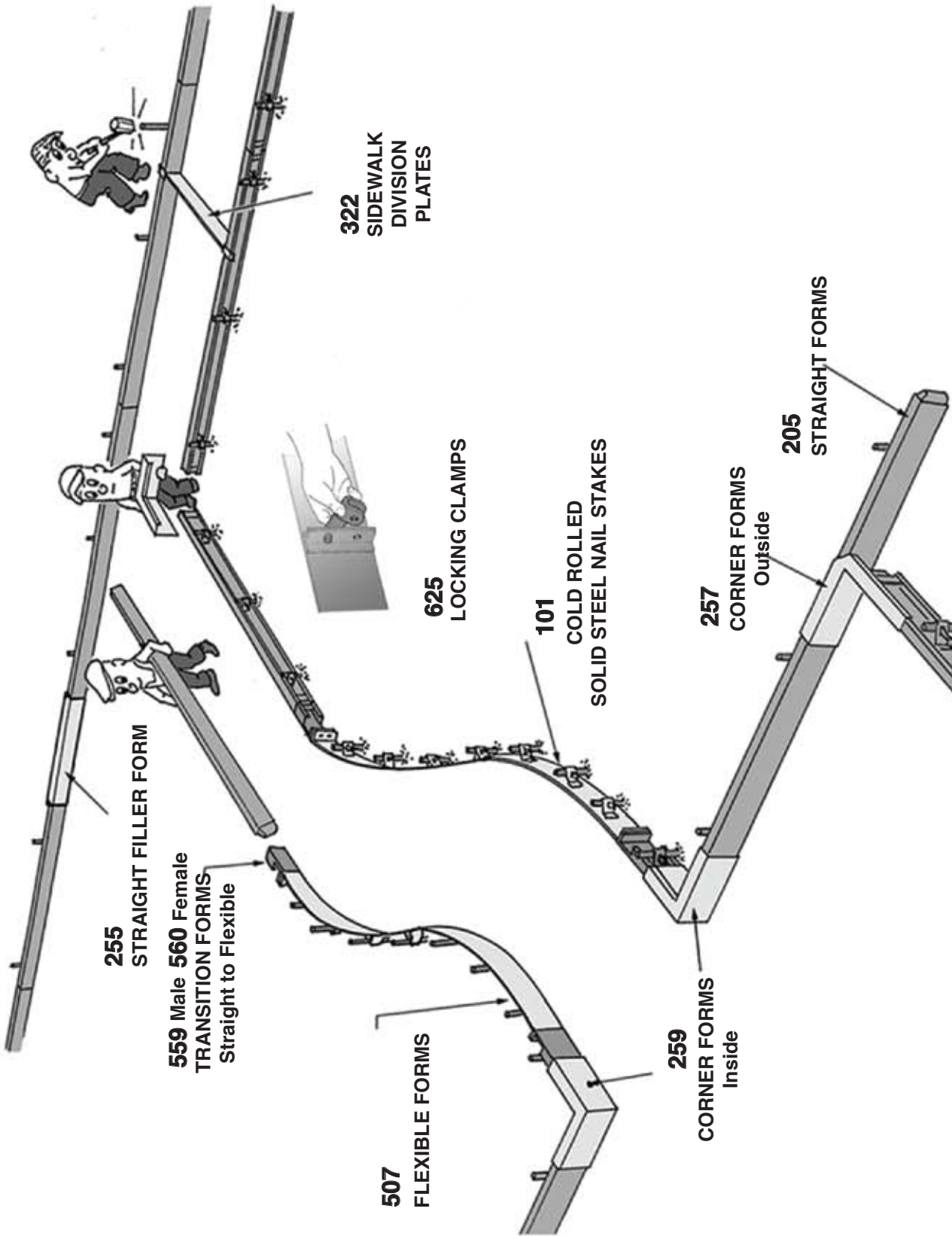
Flexible Curb Face Forms shall be made to provide a batter or a batter and radius on a radius to conform to the exact profile of the curb and gutter. Curb Face Forms shall consist of one foot segments that rotate on a center rivet to handle inward and outward radius forming with ¼" free floating rods at the top and bottom to reinforce the forms and to insure true curvatures. They shall provide sufficient flexibility to properly form the required batter and radius to a minimum of 4'-6".

Division Plates shall be made of minimum 10 gauge steel to conform to the desired curb and gutter profile, they shall have clips that drop on to the front and back forms to permit placement anywhere along the form edges to provide the most desirable placement; they shall be provided with clips and a fast acting slide latch to securely hold the curb face form in place. One full division plate and five skeleton division plates shall be used in each ten foot section of forming to insure truly accurate forming of the profile of a batter and radius on a radius.

STAKES

Each cold rolled stake shall be not less than 3/4", 7/8" and 1" diameter in a length sufficient to support the form at the specified height and shall be the manufacturer's standard.

Flatwork Set-Up using Accessories



Manufactured by:
dee® CONCRETE ACCESSORIES II
 Division of Tesko Enterprises
 7350 W. Montrose Ave. Norridge, IL 60706
 708/452/0250 800/245/1333 Fax 708/452/7220
 www.deeconcrete.com