

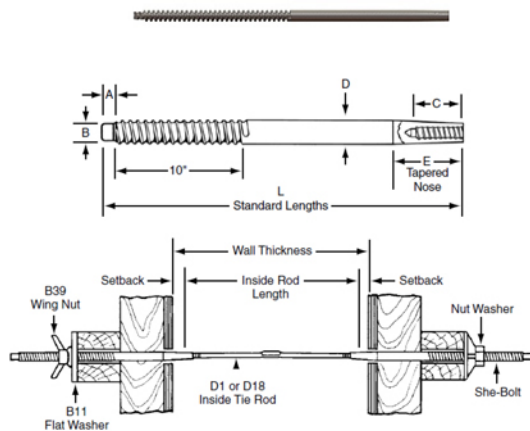
TECHNICAL DATA SHEET

DESCRIPTION

D2 She-Bolts are heavy duty, reusable form ties for medium and heavy concrete construction.

APPLICATION

She-Bolts are used in conjunction with D1 or D18 Inside Rods to form tie in a wide range of formwork thickness.



FEATURES

- The D2 She-Bolt has a 3/4" diameter and is equipped with Acme thread.
- SWL=9,000 lbs. which provides approximate safety factor of 2:1.
- The pitch (threads/inch) of the 3/4" diameter Acme thread varies in certain geographical areas of the United States, please check before ordering.
- She-Bolts are meant to be reused, but they do wear so they must be continually inspected. When wear or damage is noted, they must be replaced.
- A water-proof grease should be applied to the embedded portion of the she-bolt to facilitate removal.
- Standard size is listed in the chart. Other than standard sizes are available on special order.

TECHNICAL DATA

SWL Tension	She-Bolt Ext. Thread Diameter & Type	Inside Tie Rod Thread Diameter & Type	A	B	C	D	E	L
9,000 lbs.	3/4" Acme	1/2" NC	5/8"	1/2"	1-1/4"	3/4"	2-1/2"	20"

RELATED PRODUCTS

- D6 Nut Washer (Acme)
- D1 Inside Tie Rod
- D18 Inside Tie Rod

ORDERING INFORMATION

SHE BOLT (OUTSIDE STUD ROD)

Product Code	Description	Weight
48240	17 X 5 WEST COAST	1.74 LB

MANUFACTURER

Dayton Superior Corporation
 1125 Byers Road
 Miamisburg, OH 45342
 Customer Service: 888-977-9600
 Technical Services: 877-266-7732
 Website: www.daytonsuperior.com

WARRANTY (ACCESSORIES)

Limited Warranty. Dayton warrants, for a period of 60 days from the date of shipment (three years from the date of shipment in the case of formwork, excluding any consumable Products included with such formwork), that Products and any associated application drawings and engineering services provided by Dayton ("Ancillary Services") will be free from defects in material and workmanship and, in the case of custom designed formwork, that the formwork will meet the specifications set forth in the design drawings approved by Dayton and Customer. Any claim under this warranty must be made in writing within such warranty period. If any Product and/or Ancillary Service covered by a timely claim are found to be defective, Dayton will, within a reasonable time, make any necessary repairs or corrections or, at Dayton's option, replace the Product. Unless pre-authorized by Dayton in writing, Dayton will not accept any charges for correcting defects or accept the return of any Product. This warranty will not apply to any Products that have been subjected to misuse, neglect, storage damage, misapplication, accident or any other damage caused by any person other than Dayton, or that have not been maintained in accordance with Dayton's specifications. THIS LIMITED WARRANTY IS IN LIEU OF ALL OTHER WARRANTIES AS TO THE PRODUCTS AND ANCILLARY SERVICES. DAYTON MAKES NO OTHER WARRANTIES OR GUARANTEES, EXPRESS OR IMPLIED, INCLUDING ANY WARRANTY OF MERCHANTABILITY, FITNESS FOR A PARTICULAR PURPOSE OR OTHERWISE. THE REMEDIES SET FORTH IN THIS SECTION ARE CUSTOMER'S EXCLUSIVE REMEDY FOR BREACH OF WARRANTY.