

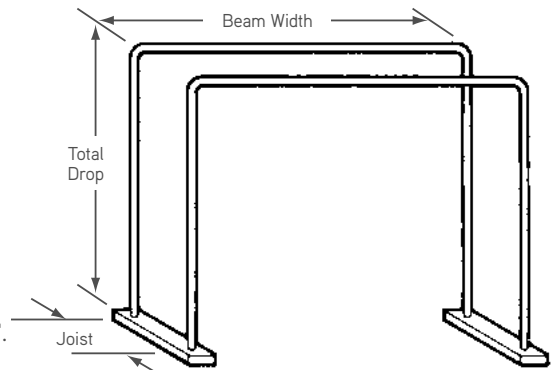
C13 Plate Saddle Hanger

Dayton Superior C13 Plate Saddle Hanger is primarily used with steel beam construction but can be used effectively on precast beams and concrete block walls. No working parts or adjustments are required. Just hang the hanger over a beam, insert the joists over the plates and lay plywood. The bearing plates are 1/2" wide and are fixed in position by swaging the wire. Standard plates are available for 2x4 and 4x4 SAS dressed lumber. C13 hangers are available with any drop dimension and any beam width over 2" and with heavy duty 4 gauge wire. C13 hangers are recommended for use with lumber joists only and should not be utilized to support metal joists.

Joist lumber should extend past the hanger bearing support a minimum of 2".

Warning: Hanger must be equally loaded on both sides to prevent unequal loading and resulting rotation of the hanger.

Special Application: This application requires care to ensure adequate lumber bearing on the hanger. Use duplex head nail behind the hanger plate to prevent the joist from slipping off of the hanger plate. Continuous inspection, before and during concrete placement, is required.



C13 Plate Saddle Hanger

Recommended for use with lumber joists only.

1,500 lbs. for C13

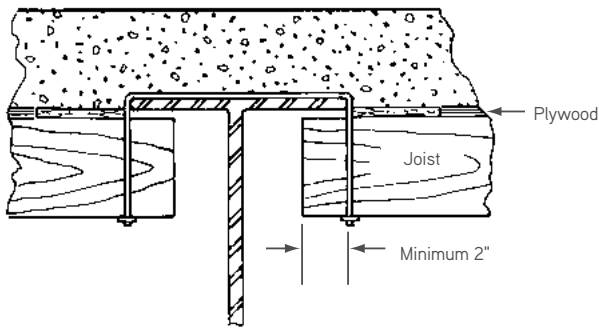
SWL provides a factor of safety of approximately 2 to 1.

To Order:

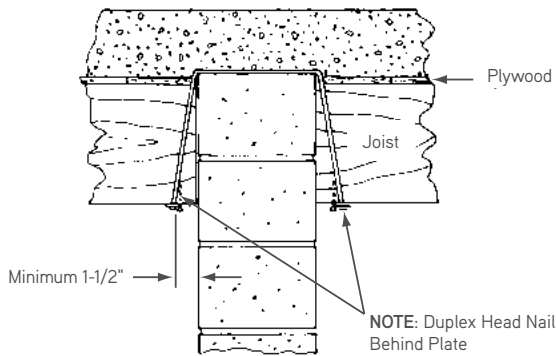
Specify: (1) quantity, (2) name, (3) flange width, (4) drop, (5) joist lumber.

Example:

1,200 pcs. C13 Plate Saddle Hanger, standard 12" flange width, 8-1/4" drop, 2x lumber.



Steel Beam Type



Special Application