

TECHNICAL DATA SHEET

DESCRIPTION

The C41 Coil Rod Hanger is a U shaped wire with (2) 90° bends which are threaded on both ends for 1/2" coil nuts. There is a 1" break back to the horizontal leg to the fixed hanger

APPLICATION

Coil Rod Hanger is placed over steel beam or concrete girder with capability to adjust grade after formwork is installed. When used on steel beams or girders, legs formed at 90° to the top flange are recommended. For concrete girders of box beams, legs formed at 15° to vertical are suggested.

PRODUCT SPECIFICATION

- 2 to 1 safety factor
- 4,500 lbs. per side safe working load
- Hanger must have equal load on both sides of beam



FEATURES

- Vertical leg adjustment angles at 90° or 15°
- 1" break back

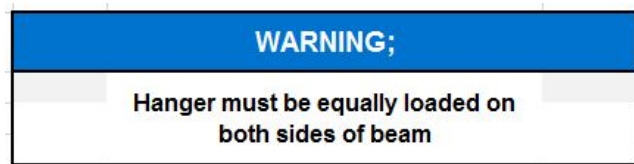
BENEFITS

- Easy to install
- Simple, yet strong method of suspending formwork from interior bridge beams

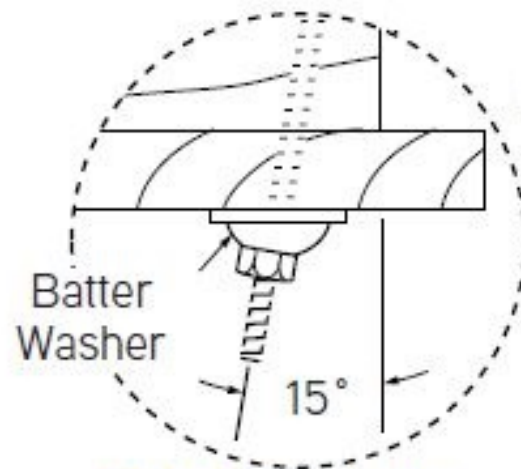
HOW TO SPECIFY

Coil Rod Hanger shall be specified as manufactured by Dayton Superior Corporation.

TECHNICAL DATA



INSTALLATION



Optional for
Concrete
Beams

RELATED PRODUCTS

- B11 Flat Washer
- B13 Coil Nut
- B42 Batter Washer
- B41 Type 4-A Coil Rod Hanger

HOW TO ORDER

- Specify;
 - 1.Quantity
 - 2.Name
 - 3.Flange width
 - 4.Total drop
 - 5.Length of thread
 - 6.Bend angle

MANUFACTURER

Dayton Superior Corporation
 1125 Byers Road
 Miamisburg, OH 45342
 Customer Service: 888-977-9600
 Technical Services: 877-266-7732
 Website: www.daytonsuperior.com

TECHNICAL DATA SHEET

WARRANTY (ACCESSORIES)

Limited Warranty. Dayton warrants, for a period of 60 days from the date of shipment (three years from the date of shipment in the case of formwork, excluding any consumable Products included with such formwork), that Products and any associated application drawings and engineering services provided by Dayton ("Ancillary Services") will be free from defects in material and workmanship and, in the case of custom designed formwork, that the formwork will meet the specifications set forth in the design drawings approved by Dayton and Customer. Any claim under this warranty must be made in writing within such warranty period. If any Product and/or Ancillary Service covered by a timely claim are found to be defective, Dayton will, within a reasonable time, make any necessary repairs or corrections or, at Dayton's option, replace the Product. Unless pre-authorized by Dayton in writing, Dayton will not accept any charges for correcting defects or accept the return of any Product. This warranty will not apply to any Products that have been subjected to misuse, neglect, storage damage, misapplication, accident or any other damage caused by any person other than Dayton, or that have not been maintained in accordance with Dayton's specifications. THIS LIMITED WARRANTY IS IN LIEU OF ALL OTHER WARRANTIES AS TO THE PRODUCTS AND ANCILLARY SERVICES. DAYTON MAKES NO OTHER WARRANTIES OR GUARANTEES, EXPRESS OR IMPLIED, INCLUDING ANY WARRANTY OF MERCHANTABILITY, FITNESS FOR A PARTICULAR PURPOSE OR OTHERWISE. THE REMEDIES SET FORTH IN THIS SECTION ARE CUSTOMER'S EXCLUSIVE REMEDY FOR BREACH OF WARRANTY.