

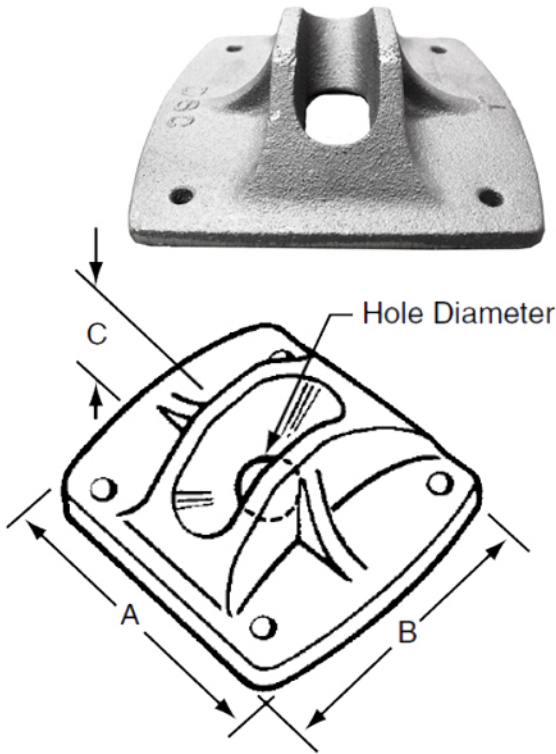
TECHNICAL DATA SHEET

DESCRIPTION

D22 Batter Washers are manufactured from ductile iron.

APPLICATION

Batter Washers are used when the wales are at an angle to the ties. Permits any angle from 90° to 45°.



ORDERING INFORMATION

Product Code	Description	Weight
33852	1" X 1"	4 LB
33854	1-1/4-1-3/8" X 1-1/4"	4.9405 LB
33856	1-1/2-1-5/8" X 1-1/2"	6.9312 LB

MANUFACTURER

Dayton Superior Corporation
 1125 Byers Road
 Miamisburg, OH 45342
 Customer Service: 888-977-9600
 Technical Services: 877-266-7732
 Website: www.daytonsuperior.com

WARRANTY (ACCESSORIES)

Limited Warranty. Dayton warrants, for a period of 60 days from the date of shipment (three years from the date of shipment in the case of formwork, excluding any consumable Products included with such formwork), that Products and any associated application drawings and engineering services provided by Dayton ("Ancillary Services") will be free from defects in material and workmanship and, in the case of custom designed formwork, that the formwork will meet the specifications set forth in the design drawings approved by Dayton and Customer. Any claim under this warranty must be made in writing within such warranty period. If any Product and/or Ancillary Service covered by a timely claim are found to be defective, Dayton will, within a reasonable time, make any necessary repairs or corrections or, at Dayton's option, replace the Product. Unless pre-authorized by Dayton in writing, Dayton will not accept any charges for correcting defects or accept the return of any Product. This warranty will not apply to any Products that have been subjected to misuse, neglect, storage damage, misapplication, accident or any other damage caused by any person other than Dayton, or that have not been maintained in accordance with Dayton's specifications. THIS LIMITED WARRANTY IS IN LIEU OF ALL OTHER WARRANTIES AS TO THE PRODUCTS AND ANCILLARY SERVICES. DAYTON MAKES NO OTHER WARRANTIES OR GUARANTEES, EXPRESS OR IMPLIED, INCLUDING ANY WARRANTY OF MERCHANTABILITY, FITNESS FOR A PARTICULAR PURPOSE OR OTHERWISE. THE REMEDIES SET FORTH IN THIS SECTION ARE CUSTOMER'S EXCLUSIVE REMEDY FOR BREACH OF WARRANTY.

FEATURES

- For use with B39 Wing Nut
- Nail holes are provided for securing to wood form members
- Made per ASTM A536 GR 65-45-12

TECHNICAL DATA

D22 Batter Washer Selection Chart				
Bolt Diameter	Hole Diameter	A	B	C
1"	1-1/16"	6-3/4"	5-1/4"	1-3/4"
1-1/4" - 1-3/8"	1-5/8"	6"	7"	1-7/8"
1-1/2" - 1-5/8"	1-3/4"	6-1/2"	7-3/4"	2"

RELATED PRODUCTS

- B39 Wing Nut

HOW TO ORDER

Specify: (1) quantity, (2) name, (3) bolt size.
 Example: 200 pcs. D22 Batter Washer, 1" bolts.