

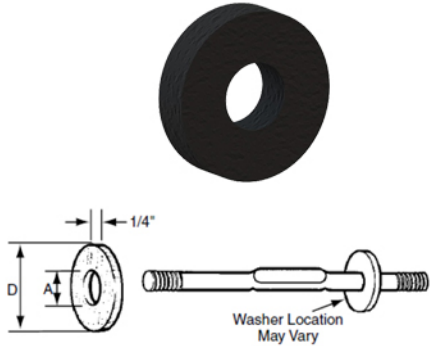
## TECHNICAL DATA SHEET

### DESCRIPTION

D33 Water-Resistant Washers are neoprene washers used on D1 and D1DR Inside Rods to break the continuity of the tie to help eliminate water seepage along the tie.

### APPLICATION

Generally specified when she-bolts are used to form water containment structures.



### MANUFACTURER

Dayton Superior Corporation  
 1125 Byers Road  
 Miamisburg, OH 45342  
 Customer Service: 888-977-9600  
 Technical Services: 877-266-7732  
 Website: www.daytonsuperior.com

### WARRANTY (ACCESSORIES)

Limited Warranty. Dayton warrants, for a period of 60 days from the date of shipment (three years from the date of shipment in the case of formwork, excluding any consumable Products included with such formwork), that Products and any associated application drawings and engineering services provided by Dayton ("Ancillary Services") will be free from defects in material and workmanship and, in the case of custom designed formwork, that the formwork will meet the specifications set forth in the design drawings approved by Dayton and Customer. Any claim under this warranty must be made in writing within such warranty period. If any Product and/or Ancillary Service covered by a timely claim are found to be defective, Dayton will, within a reasonable time, make any necessary repairs or corrections or, at Dayton's option, replace the Product. Unless pre-authorized by Dayton in writing, Dayton will not accept any charges for correcting defects or accept the return of any Product. This warranty will not apply to any Products that have been subjected to misuse, neglect, storage damage, misapplication, accident or any other damage caused by any person other than Dayton, or that have not been maintained in accordance with Dayton's specifications. THIS LIMITED WARRANTY IS IN LIEU OF ALL OTHER WARRANTIES AS TO THE PRODUCTS AND ANCILLARY SERVICES. DAYTON MAKES NO OTHER WARRANTIES OR GUARANTEES, EXPRESS OR IMPLIED, INCLUDING ANY WARRANTY OF MERCHANTABILITY, FITNESS FOR A PARTICULAR PURPOSE OR OTHERWISE. THE REMEDIES SET FORTH IN THIS SECTION ARE CUSTOMER'S EXCLUSIVE REMEDY FOR BREACH OF WARRANTY.

### TECHNICAL DATA

D33 Water-Resistant Washer Selection Chart		
Inside Tie Rod Diameter	A	D
1/2" Coil	0.397"	1"
5/8" Coil	0.5"	1.25"
5/8" Euro Bar	0.5"	1.25"
5/8" D/R Bar	0.563"	1.5"
3/4" Coil	0.625"	1.5"
7/8" Coil	0.75"	1.5"
7/8" D/R Bar	0.75"	1.5"
1" Coil	0.84"	1.5"
1-1/4" Coil	1.085"	1.75"

### RELATED PRODUCTS

- D18 Inside Tie Rod
- B12 Coil Rod
- B12A D/R Thread Bar

### ORDERING INFORMATION

Product Code	Description	Weight
79132	1.0" OD X 0.397" ID	0.01 LB
143388	1.5" OD X 0.563" ID	0.01 LB
79134	1.5" OD X 0.625" ID	0.01 LB
107260	1.5" OD X 0.75" ID	0.01 LB
79136	1.5" OD X 0.84" ID	0.01 LB
107270	1.75" OD X 0.875" ID	0.01 LB