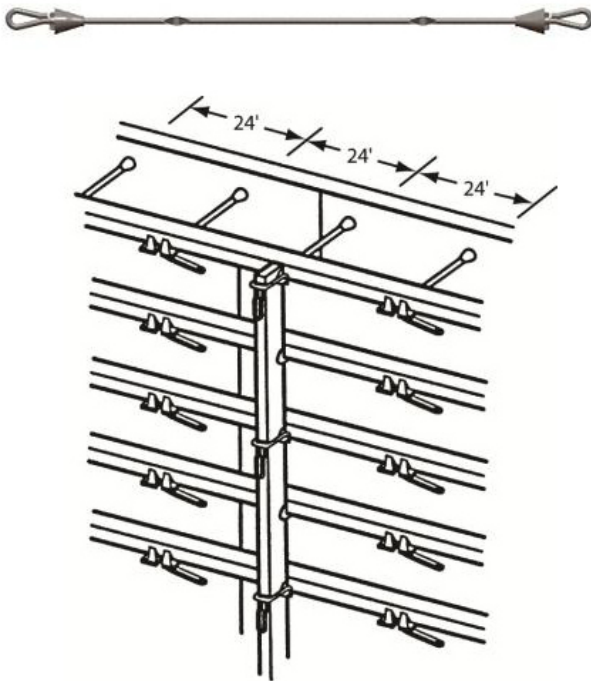


TECHNICAL DATA SHEET
DESCRIPTION

A55 Sure-Lock Ties are manufactured from high strength steel.

APPLICATION

A55 Sure-Lock Ties are used with A56 Sure-Lock Bracket and A57 Sure-Lock Strongback Bracket as an economical single waler forming system of 2x4 lumber and 3/4" plywood.


FEATURES

- The A55 Sure-Lock Tie is manufactured with self-centering 1" x 1" plastic cones that provide a nominal 1" breakback.
- Other breakbacks and water resistant washers are available on special order.
- Safe Working Load is 2,250 lbs. which provides a factor of safety of approximately 2 to 1.

RELATED PRODUCTS

- A56 Sure-Lock[®] Bracket
- A57 Sure-Lock[®] Strongback Bracket

ORDERING INFORMATION
SURE-LOCK[®] TIES

Product Code	Description	Weight
12955	6"	0.19 LB
12957	7"	0.19 LB
12960	8"	0.21 LB
12962	9"	0.22 LB
12965	10"	0.23 LB
12970	12"	0.25 LB
12975	14"	0.27 LB
12978	15"	0.29 LB
12980	16"	0.30 LB
12985	18"	0.32 LB
12990	20"	0.34 LB
13000	24"	0.39 LB
13005	30"	0.46 LB
12959	7-5/8"	0.21 LB
13008	36"	0.52 LB

SURE-LOCK[®] TIES - CANADA ONLY

Product Code	Description	Weight
12936	150MM - CANADA ONLY	0.18 LB
700329	200MM - CANADA ONLY	0.19 LB
700330	250MM - CANADA ONLY	0.23 LB
700331	300MM - CANADA ONLY	0.25 LB
700332	350MM - CANADA ONLY	0.27 LB
700333	400MM - CANADA ONLY	0.29 LB
700334	450MM - CANADA ONLY	0.32 LB
700335	500MM - CANADA ONLY	0.34 LB
700336	550MM - CANADA ONLY	0.34 LB
700337	600MM - CANADA ONLY	0.39 LB

MANUFACTURER

Dayton Superior Corporation
 1125 Byers Road
 Miamisburg, OH 45342
 Customer Service: 888-977-9600
 Technical Services: 877-266-7732
 Website: www.daytonsuperior.com

TECHNICAL DATA SHEET**WARRANTY (ACCESSORIES)**

Limited Warranty. Dayton warrants, for a period of 60 days from the date of shipment (three years from the date of shipment in the case of formwork, excluding any consumable Products included with such formwork), that Products and any associated application drawings and engineering services provided by Dayton ("Ancillary Services") will be free from defects in material and workmanship and, in the case of custom designed formwork, that the formwork will meet the specifications set forth in the design drawings approved by Dayton and Customer. Any claim under this warranty must be made in writing within such warranty period. If any Product and/or Ancillary Service covered by a timely claim are found to be defective, Dayton will, within a reasonable time, make any necessary repairs or corrections or, at Dayton's option, replace the Product. Unless pre-authorized by Dayton in writing, Dayton will not accept any charges for correcting defects or accept the return of any Product. This warranty will not apply to any Products that have been subjected to misuse, neglect, storage damage, misapplication, accident or any other damage caused by any person other than Dayton, or that have not been maintained in accordance with Dayton's specifications. THIS LIMITED WARRANTY IS IN LIEU OF ALL OTHER WARRANTIES AS TO THE PRODUCTS AND ANCILLARY SERVICES. DAYTON MAKES NO OTHER WARRANTIES OR GUARANTEES, EXPRESS OR IMPLIED, INCLUDING ANY WARRANTY OF MERCHANTABILITY, FITNESS FOR A PARTICULAR PURPOSE OR OTHERWISE. THE REMEDIES SET FORTH IN THIS SECTION ARE CUSTOMER'S EXCLUSIVE REMEDY FOR BREACH OF WARRANTY.