

REBAR TYING TOOL
ATADORA DE ARMADURAS DE REFUERZO
OUTIL DE LIGATURE DE BARRES

MAX

RE·BAR·TIER

RB441T RB611T

INSTRUCTION MANUAL AND SAFETY INSTRUCTIONS
MANUAL DE INSTRUCCIONES E INSTRUCCIONES DE SEGURIDAD
MODE D'EMPLOI ET CONSIGNES DES ÉCURITÉ

TVINTIER



RB441T



RB611T

INDEX	ENGLISH	Page	2	to	19
ÍNDICE	ESPAÑOL	Página	20	a	36
SOMMAIRE	FRANÇAIS	Page	37	à	53



WARNING

Before using the tool, read and understand tool labels and manual. Failure to follow warnings could result in serious injury. Keep these instructions with the tool for future reference.



ADVERTENCIA

Lea y comprenda las etiquetas y el manual de la herramienta antes de usarla. El incumplimiento de las advertencias puede provocar lesiones graves. Conserve estas instrucciones junto con la herramienta para futuras consultas.



AVERTISSEMENT

Veillez à lire et bien comprendre les étiquettes et le manuel avant d'utiliser cet outil. Tout manquement au respect des avertissements peut entraîner des blessures graves. Conservez ces instructions avec l'outil pour toute consultation ultérieure.

Fig.1

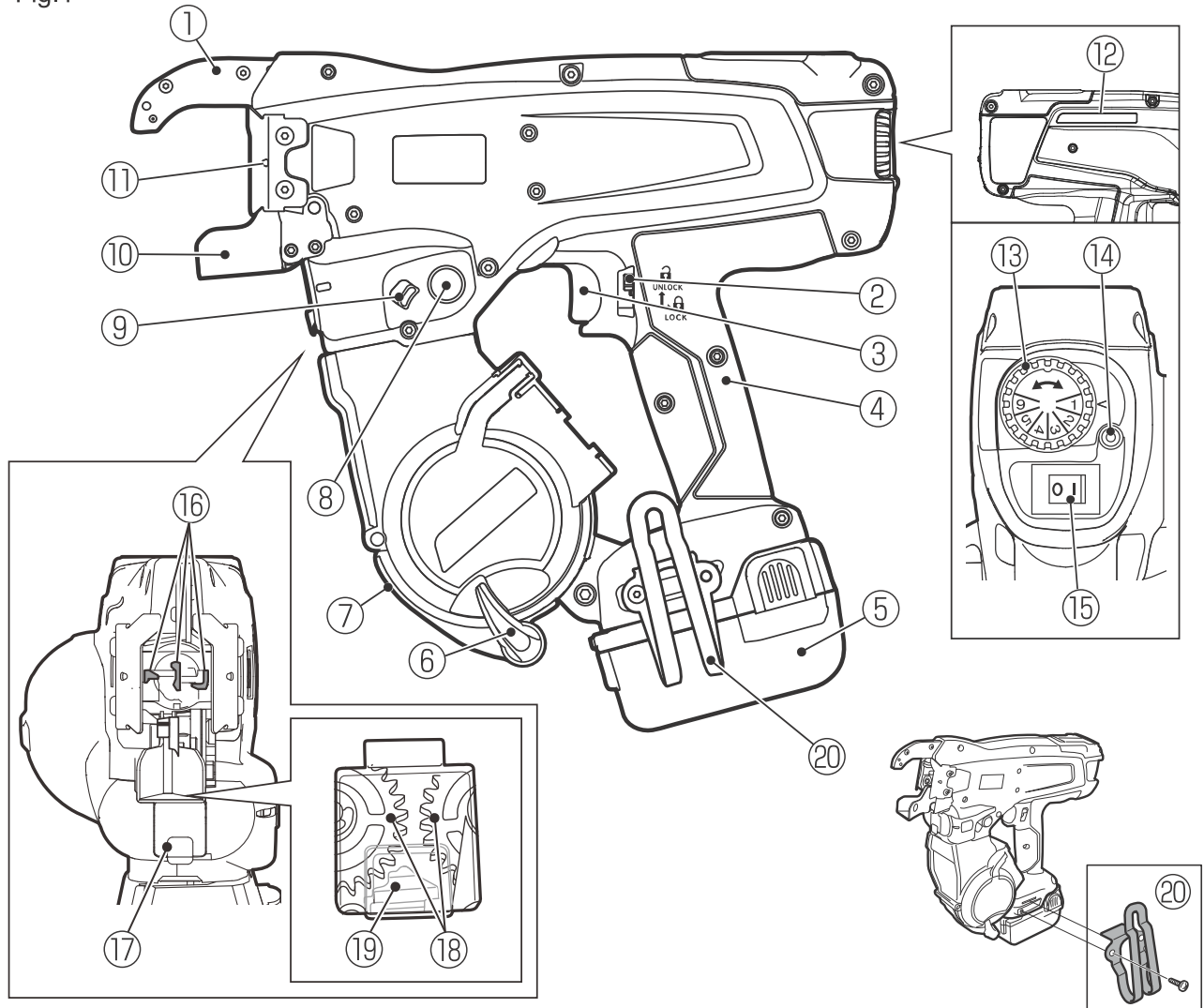


Fig.2

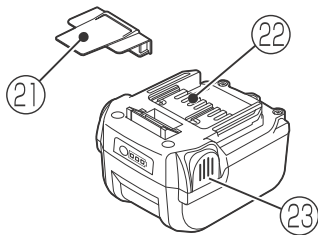


Fig.3

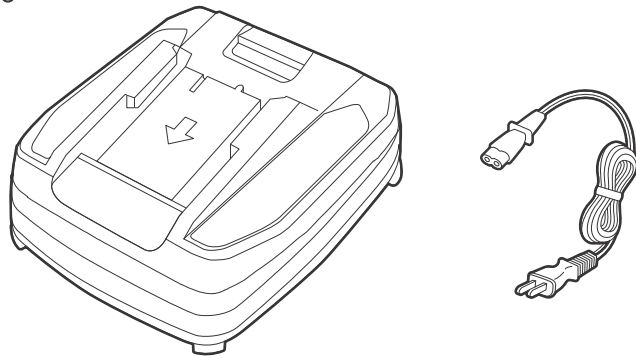


Fig.4

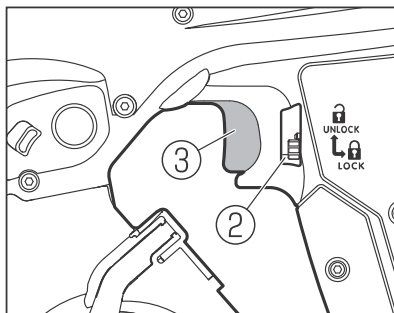


Fig.5

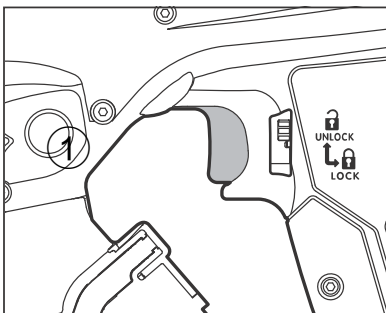


Fig.6

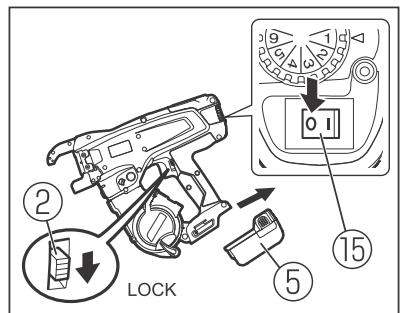


Fig.7

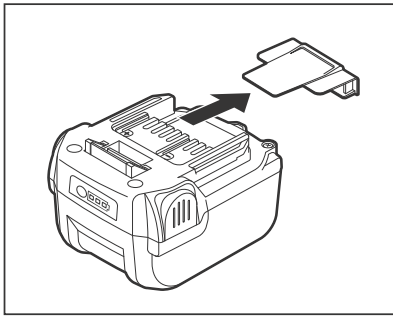


Fig.8

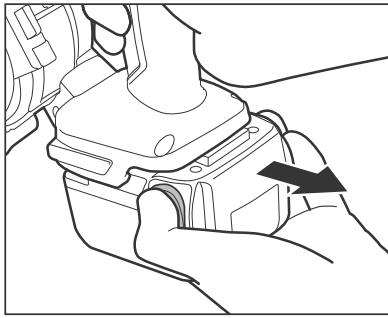


Fig.9

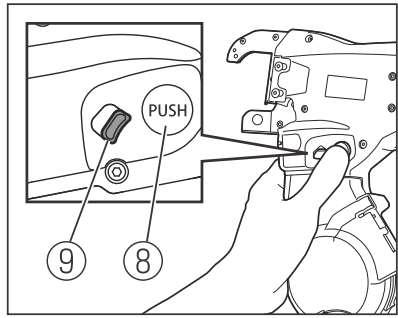


Fig.10

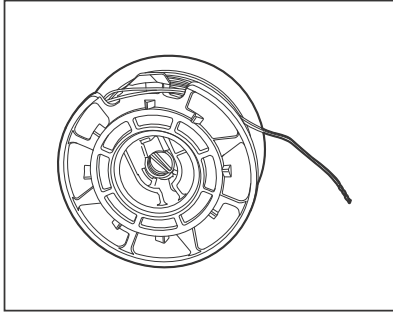


Fig.11

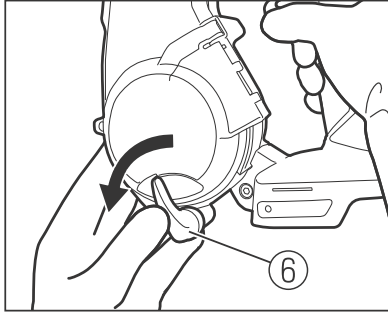


Fig.12

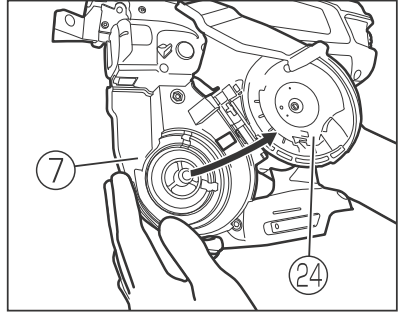


Fig.13

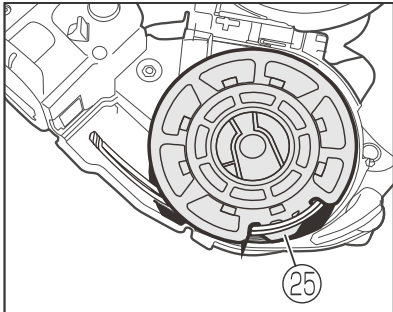


Fig.14

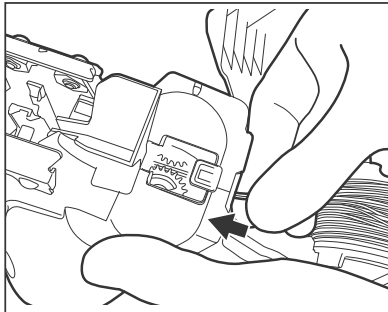


Fig.15

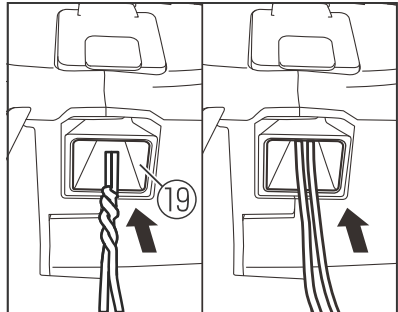


Fig.16

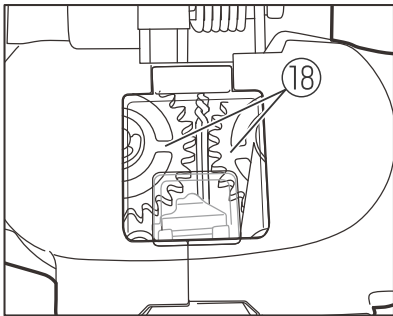


Fig.17

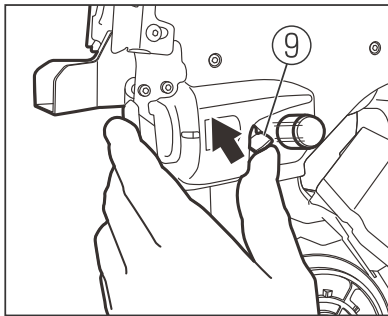


Fig.18

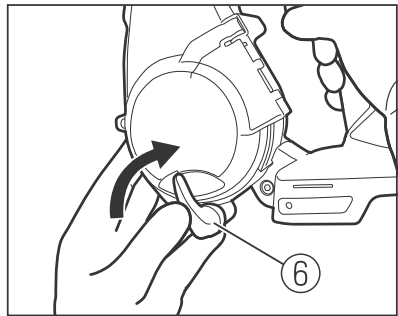


Fig.19

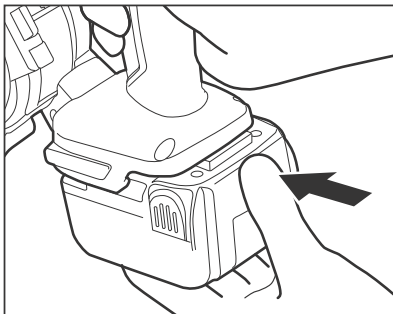


Fig.20

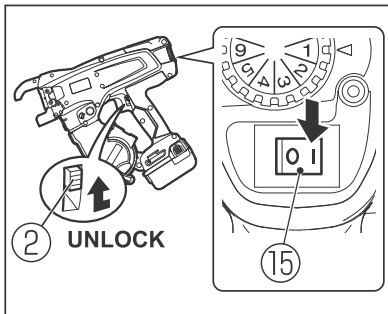


Fig.21

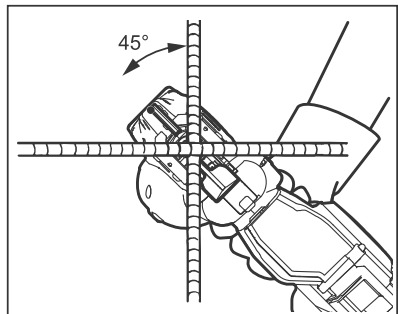


Fig.22

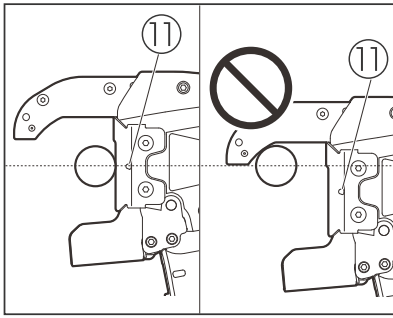


Fig.23

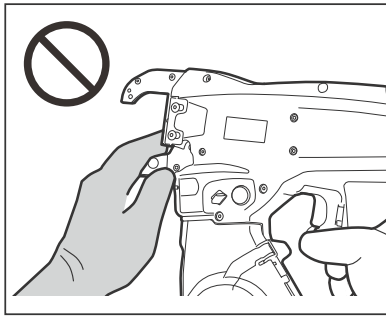


Fig.24

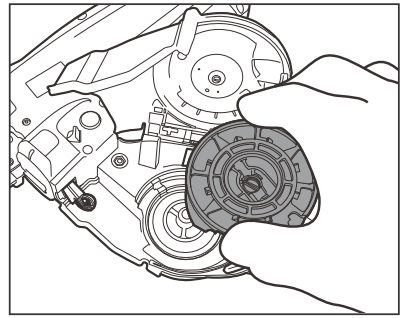


Fig.25

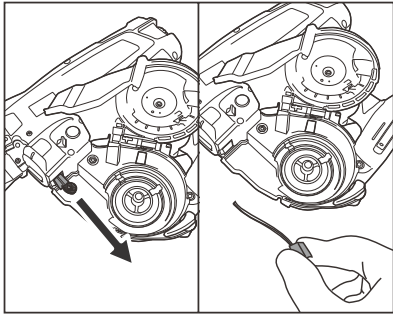


Fig.26

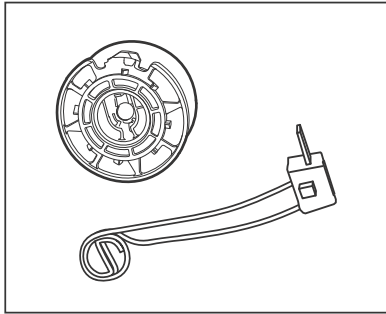


Fig.27

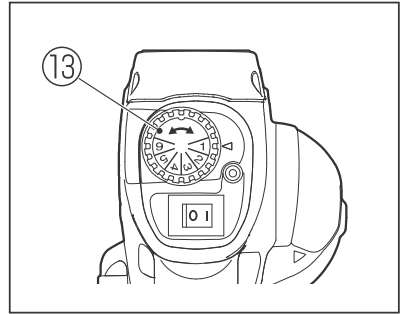


Fig.28

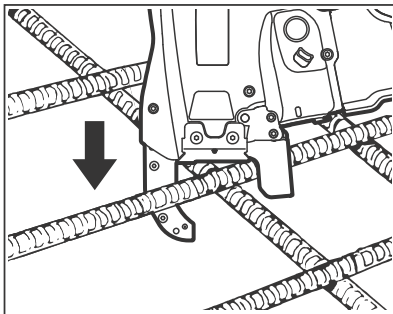


Fig.29

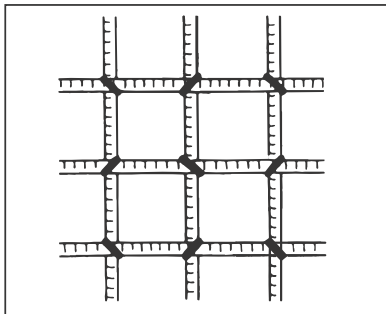


Fig.30

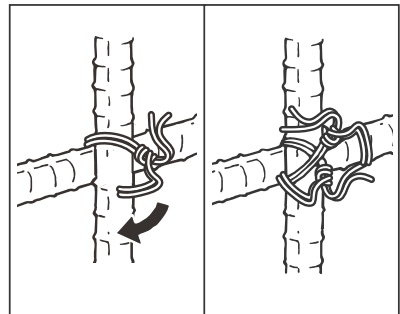


Fig.31

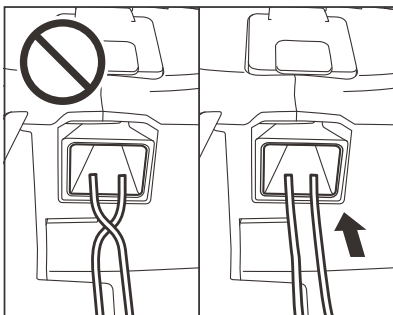


Fig.32

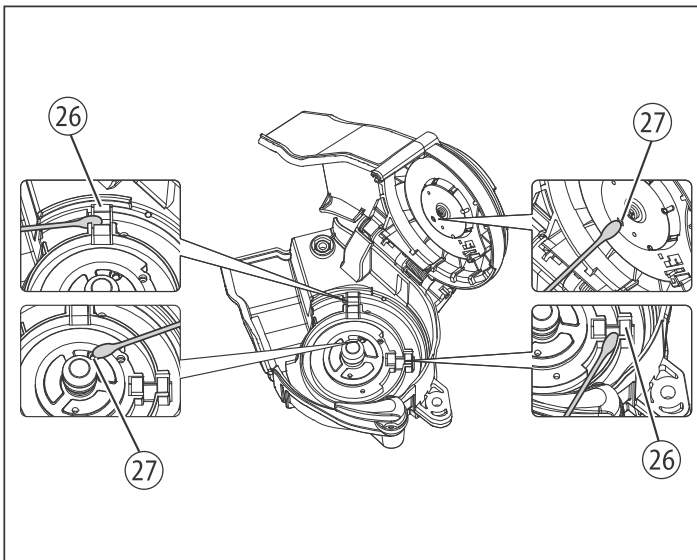
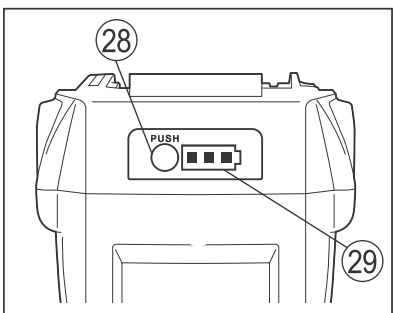


Fig.33



INSTRUCTION MANUAL AND SAFETY INSTRUCTIONS

INDEX

1. NAME OF PARTS 6

2. LIST OF CONTENTS 7

3. GENERAL POWER TOOL SAFETY WARNINGS 7

4. RB441T/RB611T SAFETY FEATURES 9

5. TOOL SPECIFICATIONS AND TECHNICAL DATA 11

6. TECHNICAL DATA 12

7. PRODUCTION YEAR 12

8. WIRE SPECIFICATION 13

9. APPLICATIONS 13

10. APPLICABLE REBAR SIZE 14

11. BATTERY INSTRUCTIONS 15

12. OPERATING INSTRUCTIONS 16

13. STORAGE AND MAINTENANCE 18

14. WARNING BUZZERS AND PROCEDURES TO FOLLOW 19

DEFINITIONS OF SIGNAL WORDS

- WARNING:** Indicates a hazardous situation which, if not avoided, could result in death or serious injury.
- CAUTION:** Indicates a hazardous situation which, if not avoided, could result in minor or moderate injury.
- NOTICE:** Indicates a property damage message.

1. NAME OF PARTS

Fig.1

- | | | |
|--------------------|-------------------|----------------|
| ① Arm | ⑧ Release button | ⑮ Main switch |
| ② Trigger lock | ⑨ Release stopper | ⑯ Hook |
| ③ Trigger | ⑩ Curl guide | ⑰ Window |
| ④ Grip | ⑪ Center mark | ⑱ Feeding gear |
| ⑤ Battery pack | ⑫ Serial number | ⑲ Wire guide |
| ⑥ Magazine stopper | ⑬ Torque dial | ⑳ Belt hook |
| ⑦ Magazine | ⑭ LED | |

Fig.2

- ⑳ Pack cap
- ㉑ Terminal
- ㉒ Latch

Fig.3

Refer to the JC925A operating and maintenance manual.

Fig.12

- ㉔ Magazine cover

Fig.13

- ㉕ Holding slot

Fig.32









- ㉖ Sensor
- ㉗ Lens

Fig.33

- ㉘ Battery level check button
- ㉙ Battery level gauge

Symbols

The following show symbols used for the machine.

	Keep hands and body parts away from the Arm and Curl guide.		CAUTION WARNING
	UNLOCK LOCK		Read instruction manual and safety instructions before using the tool.
	Rated volts		Do not dispose of battery packs/batteries into fire or water.
	Direct current		Protect the battery against heat, also against continuous sun irradiation and fire.

2. LIST OF CONTENTS

- MAX Rebar Tying tool / RB441T/RB611T
- Lithium ion Battery pack / JPL91450A
- Lithium ion Battery charger / JC925A
- Power cord
- INSTRUCTION MANUAL AND SAFETY INSTRUCTIONS (This book)

3. GENERAL POWER TOOL SAFETY WARNINGS

▲WARNING

Read all safety warnings, instructions, illustrations and specifications provided with this power tool. Failure to follow all instructions listed below may result in electric shock, fire and/or serious injury.

Save all warnings and instructions for future reference.

The term "power tool" in the warnings refers to your mains-operated (corded) power tool or battery-operated (cordless) power tool.

1. Work area safety

- **Keep work area clean and well lit.** Cluttered or dark areas invite accidents.
- **Do not operate power tools in explosive atmospheres, such as in the presence of flammable liquids, gases or dust.** Power tools create sparks which may ignite the dust or fumes.
- **Keep children and bystanders away while operating a power tool.** Distractions can cause you to lose control.

2. Electrical safety

- **Power tool plugs must match the outlet. Never modify the plug in any way. Do not use any adapter plugs with earthed (grounded) power tools.** Unmodified plugs and matching outlets will reduce risk of electric shock.
- **Avoid body contact with earthed or grounded surfaces, such as pipes, radiators, ranges and refrigerators.** There is an increased risk of electric shock if your body is earthed or grounded.

- **Do not expose power tools to rain or wet conditions.** Water entering a power tool will increase the risk of electric shock.
- **Do not abuse the cord. Never use the cord for carrying, pulling or unplugging the power tool. Keep cord away from heat, oil, sharp edges or moving parts.** Damaged or entangled cords increase the risk of electric shock.
- **When operating a power tool outdoors, use an extension cord suitable for outdoor use.** Use of a cord suitable for outdoor use reduces the risk of electric shock.
- **If operating a power tool in a damp location is unavoidable, use a residual current device (RCD) protected supply.** Use of an RCD reduces the risk of electric shock.

3. Personal safety

- **Stay alert, watch what you are doing and use common sense when operating a power tool. Do not use a power tool while you are tired or under the influence of drugs, alcohol or medication.** A moment of inattention while operating power tools may result in serious personal injury.
- **Use personal protective equipment. Always wear eye protection.** Protective equipment such as a dust mask, non-skid safety shoes, hard hat or hearing protection used for appropriate conditions will reduce personal injuries.
- **Prevent unintentional starting. Ensure the switch is in the off-position before connecting to power source and/or battery pack, picking up or carrying the tool.** Carrying power tools with your finger on the switch or energising power tools that have the switch on invites accidents.
- **Remove any adjusting key or wrench before turning the power tool on.** A wrench or a key left attached to a rotating part of the power tool may result in personal injury.
- **Do not overreach. Keep proper footing and balance at all times.** This enables better control of the power tool in unexpected situations.
- **Dress properly. Do not wear loose clothing or jewellery. Keep your hair and clothing away from moving parts.** Loose clothes, jewellery or long hair can be caught in moving parts.

- **If devices are provided for the connection of dust extraction and collection facilities, ensure these are connected and properly used.** Use of dust collection can reduce dust-related hazards.
- **Do not let familiarity gained from frequent use of tools allow you to become complacent and ignore tool safety principles.** A careless action can cause severe injury within a fraction of a second.

4. Power tool use and care

- **Do not force the power tool. Use the correct power tool for your application.** The correct power tool will do the job better and safer at the rate for which it was designed.
- **Do not use the power tool if the switch does not turn it on and off.** Any power tool that cannot be controlled with the switch is dangerous and must be repaired.
- **Disconnect the plug from the power source and/or remove the battery pack, if detachable, from the power tool before making any adjustments, changing accessories, or storing power tools.** Such preventive safety measures reduce the risk of starting the power tool accidentally.
- **Store idle power tools out of the reach of children and do not allow persons unfamiliar with the power tool or these instructions to operate the power tool.** Power tools are dangerous in the hands of untrained users.
- **Maintain power tools and accessories. Check for misalignment or binding of moving parts, breakage of parts and any other condition that may affect the power tool's operation. If damaged, have the power tool repaired before use.** Many accidents are caused by poorly maintained power tools.
- **Keep cutting tools sharp and clean.** Properly maintained cutting tools with sharp cutting edges are less likely to bind and are easier to control.
- **Use the power tool, accessories and tool bits etc. in accordance with these instructions, taking into account the working conditions and the work to be performed.** Use of the power tool for operations different from those intended could result in a hazardous situation.

- **Keep handles and grasping surfaces dry, clean and free from oil and grease.** Slippery handles and grasping surfaces do not allow for safe handling and control of the tool in unexpected situations.

5. Battery tool use and care

- **Recharge only with the charger specified by the manufacturer.** A charger that is suitable for one type of battery pack may create a risk of fire when used with another battery pack.
- **Use power tools only with specifically designated battery packs.** Use of any other battery packs may create a risk of injury and fire.
- **When battery pack is not in use, keep it away from other metal objects, like paper clips, coins, keys, nails, screws or other small metal objects, that can make a connection from one terminal to another.** Shorting the battery terminals together may cause burns or a fire.
- **Under abusive conditions, liquid may be ejected from the battery; avoid contact. If contact accidentally occurs, flush with water. If liquid contacts eyes, additionally seek medical help.** Liquid ejected from the battery may cause irritation or burns.
- **Do not use a battery pack or tool that is damaged or modified.** Damaged or modified batteries may exhibit unpredictable behaviour resulting in fire, explosion or risk of injury.
- **Do not expose a battery pack or tool to fire or excessive temperature.** Exposure to fire or temperature above 130°C may cause explosion.
- **Follow all charging instructions and do not charge the battery pack or tool outside the temperature range specified in the instructions.** Charging improperly or at temperatures outside the specified range may damage the battery and increase the risk of fire.

6. Service

- **Have your power tool serviced by a qualified repair person using only identical replacement parts.** This will ensure that the safety of the power tool is maintained.
- **Never service damaged battery packs.** Service of battery packs should only be performed by the manufacturer or authorized service providers.

4. RB441T/RB611T SAFETY FEATURES

1. INSPECT THE PARTS BEFORE MOUNTING THE BATTERY PACK

- Examine the screws to make sure they are securely tightened.

Incomplete tightening may result in an accident or breakage. If a screw is loose, retighten it completely.

- Inspect parts for damage.

Parts will wear over periods of use. Look also for missing and defective parts and for parts of poor quality. If a part must be replaced or repaired, purchase the replacement part at the dealer where the tool was purchased or MAX CO., LTD. authorized distributors.

Use only genuine authorized replacement parts.

2. SET THE MAIN SWITCH (FIG.6.⑮) AT "OFF", THE TRIGGER LOCK (FIG.6.②) AT "LOCK" AND REMOVE THE BATTERY PACK (FIG.6.⑤), WHEN CHANGING THE BATTERY PACK, REPLACING OR ADJUSTING THE TIEWIRE, ABNORMALITIES OCCUR, AND THE TOOL IS NOT BEING USED

Leaving the tool switched on in these situations may cause breakdowns or damage.

3. KEEP FINGERS AND BODY PARTS CLEAR BETWEEN THE ARM AND CURL GUIDE AT ALL TIMES (FIG.23)

Failure to do so may result in serious injury.

4. KEEP FINGERS AND BODY PARTS AWAY FROM THE TIEWIRE WHEN TOOL IS IN OPERATION

Failure to do so may result in serious injury.

5. DO NOT POINT THE TOOL AT ANYONE

Personal injury may result if the tool catches an operator or anyone working near him/her. While working with the tool, be extremely careful not to bring hands, legs, and other body parts near the arm of the tool.

6. WHEN THE TOOL IS NOT IN OPERATION KEEP YOUR FINGERS OFF THE TRIGGER

Failure to do so may cause accidental tying, leading to serious injury.

7. NEVER OPERATE THE TOOL UNDER ANY ABNORMAL CONDITION

If the tool is not in good working order, or if any abnormal condition is noticed, switch it off immediately (set the Main switch at "OFF"), lock the Trigger and have it examined and repaired.

8. AFTER BATTERY INSTALLATION IF THE TOOL OPERATES WITHOUT THE TRIGGER BEING PULLED OR THE OPERATOR NOTICES UNUSUAL HEAT, SMELL, OR SOUND, DISCONTINUE OPERATION

Failure to do so may lead to serious injury. Return to dealer for safety inspection.

9. NEVER MODIFY THE TOOL

Modifying the tool will impair performance and operating safety. Any modification may lead to serious injury and void the tool warranty.

10. HANDLE THE TOOL WITH CARE

Dropping it or subjecting it to impact may result in breakdowns or damage.

11. MAINTAIN THE TOOL IN GOOD OPERATING CONDITION

To secure operating safety and ensure top performance, keep the tool free of wear and damage. Also keep the tool's hand grip dry and clean, especially free of oil and grease.

12. USE ONLY THE AUTHORIZED BATTERY PACK

If the tool is connected to a power supply other than the authorized pack, such as a rechargeable battery, a dry cell, or a storage battery for use in automobiles, the tool may be damaged, break down, overheat, or even catch on fire. Do not connect this tool to any power supply except the authorized battery pack.

13. TO ENSURE MAXIMUM PERFORMANCE, FULLY CHARGE THE BATTERY BEFORE USE

A new battery pack or one not used for extended periods may have self-discharged and thus may need recharging to restore it to a fully charged condition. Before operating the tool, make sure to charge the Battery pack with the designated MAX Battery charger.

14. BATTERY CHARGING PRECAUTION

14-1 Use only MAX Battery charger and MAX Battery pack.

Failure to do so may cause the Battery to overheat or catch fire leading to serious injury.

14-2 Charge the Battery from an AC 100V-240V wall sockets.

Failure to do so may result in overheating, or inadequate charging possibly causing serious injury.

14-3 Never use a transformer.

14-4 Never connect the Battery charger to an engine generator direct-current power supply.

The charger will break down or be damaged from burning.

14-5 Avoid charging the Battery pack in the rain, in a damp place, or where water is splashing.

Charging a damp or wet Battery pack will cause an electric shock or a short circuit that may lead to damage from burning and even the tool catching on fire.

14-6 Do not touch the power cord or plug with a wet hand or glove.

This may cause injury from electric shock.

14-7 Do not put a cloth or any other cover on the Battery charger while the Battery pack is being charged.

This will cause overheating and damage from burning, or the Charger may even catch fire.

14-8 Keep the Battery pack and Battery charger away from heat and flames.

14-9 Do not charge the Battery pack near flammable materials.

14-10 Charge the Battery pack in a well ventilated place.

Avoid charging the Battery pack where it will be in direct sunlight.

14-11 Charge the Battery pack in a temperature range of 41°F (5°C) to 104°F (40°C).

14-12 Avoid continual use of the Battery charger.

Rest the Charger for 15 minutes between charges to avoid functional trouble with the unit.

14-13 Any objects that block the ventilation holes or Battery pack receptacle may cause electric shock or functional troubles.

Operate the charger free of dust or other foreign materials.

14-14 Handle the power cord carefully.

Do not carry the Battery charger by its power cord. Do not use the power cord to disconnect it from a wall socket; this will damage the cord and break the wires or cause a short circuit. Do not let the power cord contact sharp edged tools, hot materials, oil, or grease. A damaged cord must be repaired or replaced.

14-15 Do not charge non rechargeable batteries with this charger.

14-16 This charger is not intended for use by children or disabled persons without supervisor.

14-17 Children should be supervised to ensure that they do not play with the charger.

14-18 Put a Pack cap (Fig.2.⑳) on the Terminal (Fig.2.㉑) of the Battery pack.

When the Battery pack is not in use, put a Pack cap on its Terminal to prevent short circuits.

14-19 Do not let the Terminal (metal component) of the Battery pack short-circuit.

A short circuit in the Terminal will generate a large current, causing to overheat the Battery pack and become damaged.

14-20 Do not leave or store the tool in a vehicle or in direct sunlight during summer. Leaving the tool in high temperature conditions may cause the Battery pack to deteriorate.

14-21 Do not store a fully discharged Battery pack. If a fully discharged Battery pack is removed from the system and left for a long period of time, it may become damaged. Recharge the battery immediately when it has been discharged.

15. WEAR SAFETY GLOVES WHILE OPERATING THE TOOL

The finish tie has sharp edges. To avoid serious injures, be careful not to touch the sharp edges.

16. PRIOR TO USING THE TOOL

(Fig.4 and 5) Make sure that the safety features function properly. If they do not, avoid using the tool.

5. TOOL SPECIFICATIONS AND TECHNICAL DATA

PRODUCT DESCRIPTION	MAX Rebar Tying tool "TWINTIER"	
PRODUCT NO.	RB441T	RB611T
DIMENSIONS (Battery pack included)	(H) 11-1/2" (295mm) (W) 4-7/8" (125mm) (L) 13" (330mm)	(H) 11-7/8" (300mm) (W) 4-7/8" (125mm) (L) 13-7/8" (350mm)
WEIGHT (Battery pack included)	5.6lbs (2.5kg)	5.7lbs (2.6kg)
BATTERY	Lithium ion Battery pack / JPL91450A	
OPERATING TEMPERATURE	14°F to 104°F (-10°C to 40°C)	
HUMIDITY	80% RH or less	

<BATTERY CHARGER>

PRODUCT DESCRIPTION	Lithium ion Battery charger
MODEL	JC925A
INPUT	AC100 - 240V 50/60Hz 2.2A
OUTPUT	DC14.4V: 4.0A, DC18V: 4.0A, DC25.2V: 2.8A
WEIGHT	1.7lbs (0.7kg)
OPERATING TEMPERATURE RANGE	41°F to 104°F (5°C to 40°C)
OPERATING HUMIDITY RANGE	80% RH or less

<BATTERY PACK>

PRODUCT DESCRIPTION	Lithium ion Battery pack
MODEL	JPL91450A
NOMINAL VOLTAGE	DC14.4V (3.6V x 4cells)
NOMINAL CAPACITY	4.9Ah (4,900mAh)
CHARGING TIME	Full charging 80min. Approx. 80% of capacity 60min
ACCESSORIES	Pack cap
WEIGHT	1.1lbs (0.5kg)
CHARGING TEMPERATURE	41°F to 104°F (5°C to 40°C)
OPERATING TEMPERATURE RANGE	32°F to 104°F (0°C to 40°C)
OPERATING HUMIDITY RANGE	80% RH or less

TIES PER CHARGE (*under the following conditions: normal temperature, unused, full- charged battery)	Approx. 5,000 ties
--	--------------------

Do not use the power tool in the rain, where water is splashing, in a wet place, or in a damp place. Using the tool in these or similar conditions will increase the risk of electric shock, dangerous malfunction, and overheating.

8. WIRE SPECIFICATION

TIEWIRE			TW1061T	TW1061T-PC	TW1061T-EG	TW1061T-S
TYPE OF WIRE			Annealed wire	Poly-coated wire	Electro-galvanized wire	Stainless wire
DIAMETER			19GA (1.0mm)	19GA (1.1mm)	19GA (1.0mm)	19GA (1.0mm)
TIES/COIL	RB441T	#3 × #3 (10 mm × 10 mm)	Approx. 265 ties	Approx. 230 ties	Approx. 265 ties	Approx. 265 ties
		#4 × #4 (13 mm × 13 mm)	Approx. 240 ties	Approx. 210 ties	Approx. 240 ties	Approx. 240 ties
		#7 × #5 × #5 (22 mm × 16 mm × 16 mm)	Approx. 170 ties	Approx. 150 ties	Approx. 170 ties	Approx. 170 ties
	RB611T	#5 × #5 (16 mm × 16 mm)	Approx. 205 ties	Approx. 170 ties	Approx. 205 ties	Approx. 205 ties
		#7 × #7 (22 mm × 22 mm)	Approx. 170 ties	Approx. 145 ties	Approx. 170 ties	Approx. 170 ties
		#12 × #5 (38 mm × 16 mm)	Approx. 150 ties	Approx. 125 ties	Approx. 150 ties	Approx. 150 ties
		#12 × #5 × #5 (38 mm × 16 mm × 16 mm)	Approx. 140 ties	Approx. 115 ties	Approx. 140 ties	Approx. 140 ties


• RB441T/RB611T is not compatible with TW898 series or TW1525 series.

9. APPLICATIONS


- Precast concrete panel
- Building foundation
- Commercial building
- Road & Bridge
- Floor heating pipe

10.APPLICABLE REBAR SIZE


■ 2 rebars combination

		Minimum	Maximum
	RB441T	#3 × #3 (10mm × 10mm)	#7 × #7 (22mm × 22mm) #8 × #6 (25mm × 19mm)
	RB611T	#5 × #5 (16mm × 16mm)	#10 × #9 (32mm × 29mm) #13 × #6 (41mm × 19mm)

■ 3 rebars combination

		Minimum	Maximum
	RB441T	#3 × #3 × #3 (10mm × 10mm × 10mm)	#7 × #5 × #5 (22mm × 16mm × 16mm) #8 × #4 × #4 (25mm × 13mm × 13mm)
	RB611T	#3 × #3 × #3 (10mm × 10mm × 10mm)	#12 × #5 × #5 (38mm × 16mm × 16mm)


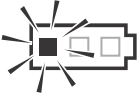



■ 4 rebars combination

		Minimum	Maximum
	RB441T	#3 × #3 × #3 × #3 (10mm × 10mm × 10mm × 10mm)	#5 × #5 × #4 × #4 (16mm × 16mm × 13mm × 13mm)
	RB611T	#3 × #3 × #3 × #3 (10mm × 10mm × 10mm × 10mm)	#6 × #6 × #6 × #6 (19mm × 19mm × 19mm × 19mm)

11. BATTERY INSTRUCTIONS

About the Battery Level Indicator

- (1) To check the battery level (excluding while charging or while operating the charging tool), press the Battery level check button (Fig.33.28).
- (2) The Battery level gauge (Fig.33.29) is on according to the battery level.

	Battery level: 0%	Battery level: about 0 to 10%	Battery level: about 10 to 40%	Battery level: about 40 to 70%	Battery level: about 70 to 100%
Battery level gauge					
	All indicators OFF	One red indicator blinks	One red indicator ON	Two red indicators ON	Three red indicators ON

Service Life of the Battery pack

If any condition described below is observed, the Battery pack is at the end of its service life. Replace it with a new one.

Although the Battery pack has been properly charged (fully charged), a great drop in tying time has been noticed.

NOTICE

- Do not charge the Battery pack when this happens. If the motor's rotational speed slows down, the power of the Battery pack is considered to be nearly depleted. Using the tool more will cause it to overdischarge, resulting in a shortened service life of the Battery pack and also in functional trouble of the tool's main body.
- Do not use a Battery pack when its service life is finished.
- This will cause functional trouble in the tool's main body. Also charging a Battery pack that is out of service life will lead to functional trouble in the Charger.
- Do not dispose of battery packs/batteries into fire or water. Battery packs/batteries should be collected, recycled or disposed of in an environmental-friendly manner.
- Protect the battery against heat, also against continuous sun irradiation and fire. There is danger of explosion.
- Charge the battery pack in a temperature range 41°F (5°C) to 104°F (40°C).

Recycling a Li-ion Battery

The product you have purchased is powered by a Li-ion battery which is recyclable. At the end of its useful life, under various state and local laws, it is illegal to dispose of this battery into your municipal waste stream. Please call 1-800-8-BATTERY for information on how to recycle this battery.

The MAX battery pack uses a Li-ion battery, it may be illegal to dispose of this Battery into the municipal waste system. Check with your local solid waste officials for details in your area for recycling options or proper disposal.



CAUTION

When disposing of the Battery pack, make sure to put a Pack cap on its Terminal (with insulating tape securing it) to prevent short circuits.

12. OPERATING INSTRUCTIONS

1. How to set the Tiewire

(Fig.6) Set the Main switch (15) at "OFF", the Trigger lock (2) at "LOCK" and remove the Battery pack (5).



CAUTION

- Be careful not to drop or give a strong impact to the Tiewire. It may cause the damage and the malfunction of the tool.
- Beware of the tip of the wire when you pick up the Tiewire. It might cause an injury.

1-1 (Fig.9) Press the Release button (8) of this tool, and confirm that the Release button is caught in the Release stopper (9).

1-2 (Fig.10) Stretch out the tip of the wound Tiewire.

BE SURE TO USE ONLY THE SPECIFIED TIEWIRE (MAX TW1061T Series).

The use of binding wire that has not been specified may cause breakdown of this tool. Therefore, be sure only to use the specified MAX TW1061T series.

RB441T/RB611T is not compatible with TW898 series or TW1525 series.

DO NOT USE RUSTY WIRE.

The use of the rusty wire may cause functional trouble of the tool.

1-3 (Fig.11) Rotate the Magazine stopper (6) 45° counterclockwise.

1-4 (Fig.12,13) Open the Magazine cover (24) and set the Tiewire in the Magazine (7) with the Holding slot (25) side of the reel facing up.

1-5 (Fig.14) Grasp the tool with the left hand, hold the tip of the wire with the right hand, and remove the wire from the Holding slot.

NOTICE

The 2 wire tips of new Tiewire are twisted.

1-6 (Fig.15) Straighten out the tip of the wire, and insert the twisted wire into the Wire guide (19) parallel.

1-7 (Fig.16) Confirm through the Window that the twisted part of wire has reached past two Feeding gears (18).

1-8 (Fig.17) Press the Release stopper (9) up, and confirm that the Release button has been raised up.

1-9 (Fig.18) Close the Magazine cover and rotate the Magazine stopper 45° clockwise.

If the Window is dirty

Open the Window (Fig.1.17) and wipe off the dirt on the inside of the Window with a cloth. Close the Window again after cleaning to ensure that foreign objects will not be able to enter the tool.

2. How to operate RB441T/RB611T

(Fig.6) Set the Main switch (15) at "OFF", the Trigger lock (2) at "LOCK" and remove the Battery pack (5).

2-1 (Fig.19) Mount the Battery pack on the tool's main body until a click is heard.

2-2 (Fig.20) When Main switch (15) is turned "ON", the Hook (Fig.1.16) of the tip rotates automatically for initializing, absolutely do not bring your fingers close to any rotating and moving part. Set the Main switch at "ON" and the trigger lock (2) at "UNLOCK".

2-3 (Fig.21) Tilt the tool 45° angle to the crossed rebars.

2-4 (Fig.22) Align the Center mark (11) to the center of the crossed rebars.

2-5 Once pull the Trigger, the tool automatically completes a series of tying actions (feeding, cutting, gripping and tying).



WARNING

- (Fig.23) When the Main switch (Fig.1.15) is turned "ON", the Hook (Fig.1.16) of the tip rotates automatically for initializing, absolutely do not bring your fingers close to any rotating and moving part.
- Do not touch any rotating and moving part such as hook of the tip or the Tiewire during the tying work (while the machine is operating).

3. How to remove the Tiewire

(Fig.6) Set the Main switch (15) at "OFF", the Trigger lock (2) at "LOCK" and remove the Battery pack (5).

3-1 (Fig.9) Press the Release button (8) of the tool and confirm that the Release button is caught in the Release stopper (9).

- 3-2 (Fig.11) Rotate the Magazine stopper (⑥) to open the Magazine cover.
- 3-3 (Fig.24) Remove the Tiewire from the Magazine.
- 3-4 (Fig.25) Remove the wire with the plastic piece from the Wire guide.

4. When the Tiewire runs out

(Fig.26) The plastic piece comes off when it is used up normally, and can be discarded separately as plastic and metal wire. (About 8" (20cm) remains after normal use)

(Fig.6) Set the Main switch (⑮) at "OFF", the Trigger lock (②) at "LOCK" and remove the Battery pack (⑤).

5. Tension adjustment

(Fig.27.⑬) This dial allows you to adjust wire tension torque slightly. To increase the tension, turn it in the counterclockwise. To decrease the tension, turn it in the clockwise.

6. Auto Power-off feature

This tool has "Auto Power-off" feature, which saves the power consumption of the Battery when the tool is not operated.

If the tool is not operated for 30 minutes, the tool is automatically turned off. When the power is turned off automatically, turn the Main switch OFF and ON again to operate the tool.

7. For proper tightness

- 7-1 (Fig. 21) Tilt the tool 45° angle to the crossed rebars.
- 7-2 (Fig.22) Align the Center mark (⑪) to the center of the crossed rebars.
- 7-3 (Fig.28) Apply the tool perpendicularly to the surface of the crossed rebars.

During tool operation

Do not move the tool during tying operation until the tool stops tying automatically.

- 7-4 (Fig.29) Tie in alternate direction.
- 7-5 (Fig.30) Cross tying.
Bent the knot of the first tie before making the second tying.

8. How to reload previously used Tiewire

(Fig.31) Without twisting the 2 wires, insert them into the Wire guide (⑰).

9. (Fig.1) How to set and remove the belt hook to the tool

The belt hook can be installed either on the right or the left side of the tool.

Installing/Removing the belt hook

(Installing)

Insert the belt hook into the slot on the tool.
Secure it with a screw.

(Removing)

Loosen a screw, and then remove the belt hook.



WARNING

- **When using the belt hook or changing the position, set the Main switch (⑮) at "OFF", the Trigger lock (②) at "LOCK" and remove the Battery pack (⑤).**
Failure to do so may cause the tool to start accidentally, which may cause an accident.
- **Before using the belt hook, make sure that the hook is securely installed on the tool.**
Using an improperly installed belt hook may cause personal injury.
- **Securely tighten the designated genuine screw.**
If the screw become loose due to vibration, etc. generated by operation, the loose screw may cause a dropping accident.
- **When using the belt hook, the tool must be hooked securely to prevent it from falling.**
If the tool falls, it could result in an accident.

13. STORAGE AND MAINTENANCE

Do not store the tool in a cold weather environment. Keep the tool in a warm area. When not in use, the tool should be stored in a warm and dry place. Keep out of reach of children.

REMOVE REEL OF TIEWIRE

When you have finished the Tiewire, remove the reel from the tool.

STORE THE TOOL

When you have finished tying work or when the tool will not be used for a while, set the Main switch (Fig.1.⑮) at "OFF", the Trigger lock (Fig.1.②) at "LOCK" and remove the Battery pack (Fig.1.⑤). The tool and accessories should be stored in a well-ventilated dry place where the temperature will not exceed 104°F (40°C). The Battery pack with the Pack cap (Fig.2.⑳) to prevent short circuits should be stored in a well-ventilated dry place where the temperature will not exceed 86°F (30°C).

MAINTENANCE

Do not blow air around Feeding gears (Fig.1.⑱) and Hooks (Fig.1.⑰).

Dust can enter the inside of a machine and cause malfunctions.

When three short beeps are repeated, dust the sides of sensors (Fig.32.㉔) and the top of lenses (Fig.32.㉕) with a soft cloth or cotton bud gently.

Wipe the tool with a soft dry cloth.

Do not use a wet cloth or volatile substances such as thinner or benzine.


Do not lubricate the equipment.

Absolutely do not lubricate this equipment.

Applying lubrication will remove the grease inside of the tool, and cause problem on the tool.

14. WARNING BUZZERS AND PROCEDURES TO FOLLOW

This tool sounds warning buzzers for the conditions described below. If the buzzer sounds, follow procedures according to the conditions described below.



WARNING

- If the conditions described below occur, set the Main switch (Fig.1.⑮) at "OFF", the Trigger lock (Fig.1.②) at "LOCK" and remove the Battery pack (Fig.1.⑤) before following procedures.
- Do not touch the tying or rotating parts at the tip when setting the Main switch at "ON" under any circumstances.

<Buzzer types and procedures to follow>

Buzzer types	Possible cause	Procedures to follow
Once (Pi, pi, pi...)	Wire is jammed in the Hook (Fig.1.⑯)	Check whether the wire or anything else is caught in the Hook
	Motor is hot	Let the tool rest and cool down
Twice (Pipi, pipi, pipi...)	Low battery	Charge the Battery pack
	Battery pack is not fully inserted	Insert the Battery pack properly
Three times (Pipipi, pipipi, pipipi...)	Tiewire is used up	Replace with a new Tiewire
	Tiewire is jammed	Open the Magazine cover (Fig.12.⑳) and fix the jammed wire
	Dust the sensor in Magazine.	Dust the sides of sensors and lenses with water or cotton bud gently.
Continuous high pitched beep (Piii...)	Curl guide (Fig.1.⑩) is open (RB441T)	Confirm supported rebar diameters
Continuous high & low pitched chime (Pii poh Pii poh...)	Internal structure; defect in internal driving mechanism	Immediately discontinue operation and set the Main switch (Fig.6.⑮) at "OFF", the Trigger lock (Fig.6.②) at "LOCK" and remove the Battery pack (Fig.6.⑤) before consulting. Then contact the dealer where the tool was purchased or MAX CO., LTD. authorized distributors.
Single-short beep (Popi)		

<When no buzzer sounds but malfunction is suspected>

Symptom	Possible cause	Procedures to follow
Main switch is "ON" but does not work	Dead battery	Switch to a new battery and confirm whether it works
Product does not function	Auto Power-off feature operated	Try switching the Main switch (Fig.1.⑮) from OFF to ON
Tying is not proper	Wire is touching rebars while tying	Tie so that wire is not touching rebars
Twisted off	Rebar size is not applicable	Use with supported rebars diameters
	Tension adjustment dial is too tight	Adjust tension adjustment dial (Fig.1.⑬)
Tension is too loose	The tied section is not on the Center mark (Fig.22.⑪)	Align the Center mark to the center of the crossed rebars and pull the trigger
	Rebar size is not applicable	Use with supported rebar diameters
	Tension adjustment dial is too loose	Adjust tension adjustment dial tighter (Fig.1.⑬)
Tie form is notably deformed	Worn or broken parts	Immediately discontinue operation and set the Main switch (Fig.6.⑮) at "OFF", the Trigger lock (Fig.6.②) at "LOCK" and remove the Battery pack (Fig.6.⑤) before consulting. Then contact the dealer where the tool was purchased or MAX CO., LTD. authorized distributors.
Increased frequency of jamming		

MANUAL DE INSTRUCCIONES E INSTRUCCIONES DE SEGURIDAD

ÍNDICE

1. NOMBRE DE LAS PIEZAS	21
2. LISTA DE CONTENIDOS	22
3. ADVERTENCIAS GENERALES DE SEGURIDAD SOBRE LA HERRAMIENTA ELÉCTRICA.....	22
4. ADVERTENCIAS DE SEGURIDAD RELATIVAS A LA RB441T/RB611T	24
5. DATOS TÉCNICOS Y ESPECIFICACIONES DE LA HERRAMIENTA	27
6. DATOS TÉCNICOS	28
7. AÑO DE PRODUCCIÓN	28
8. ESPECIFICACIONES DEL ALAMBRE	29
9. APLICACIONES	29
10. TAMAÑO DE ARMADURA APLICABLE	30
11. INSTRUCCIONES DE LA BATERÍA	31
12. INSTRUCCIONES DE FUNCIONAMIENTO	32
13. ALMACENAMIENTO Y MANTENIMIENTO	34
14. ALARMAS ACÚSTICAS Y PROCEDIMIENTOS A SEGUIR	35

DEFINICIONES DE LAS SEÑALES INDICATIVAS

ADVERTENCIA: indica una situación peligrosa que, si no se evita, puede provocar lesiones graves o incluso la muerte.

PRECAUCIÓN: indica una situación peligrosa que, si no se evita, puede provocar lesiones leves o moderadas.

AVISO: indica un mensaje relativo a posibles daños materiales.

1. NOMBRE DE LAS PIEZAS

Fig.1

- | | | |
|--|--------------------------|-----------------------------|
| ① Brazo | ⑧ Botón de desbloqueo | ⑮ Interruptor principal |
| ② Seguro del disparador | ⑨ Bloqueo | ⑯ Gancho |
| ③ Disparador | ⑩ Guía de curvado | ⑰ Ventanilla |
| ④ Empuñadura | ⑪ Marca central | ⑱ Engranaje de alimentación |
| ⑤ Paquete de baterías | ⑫ Número de serie | ⑲ Guía del alambre |
| ⑥ Bloqueador del compartimento de bobina | ⑬ Disco selector del par | ⑳ Gancho para cinturón |
| ⑦ Compartimento de bobina | ⑭ LED | |

Fig.2

- ⑳ Tapa del paquete
- ㉑ Terminal
- ㉒ Cierre

Fig.3

Consulte el manual de funcionamiento y mantenimiento del cargador JC925A.

Fig.12

- ㉔ Cubierta del compartimento de bobina

Fig.13

- ㉕ Ranura de sujeción

Fig.32

- ㉖ Sensor
- ㉗ Lente

Fig.33

- ㉘ Botón de comprobación de nivel de la batería
- ㉙ Indicador de nivel de la batería

Símbolos

A continuación encontrará los símbolos utilizados en la máquina.

	Mantenga las manos y el cuerpo alejados de la guía de curvado y del brazo.		PRECAUCIÓN ADVERTENCIA
	DESBLOQUEAR BLOQUEADO		Lea el manual de instrucciones y las instrucciones de seguridad antes de utilizar la herramienta.
V	Tensión nominal		No arroje las baterías o paquetes de baterías al fuego ni al agua.
	Corriente directa		Proteja la batería frente el calor, la radiación solar continua y el fuego.

2. LISTA DE CONTENIDOS

- Atadora de armaduras de refuerzo MAX / RB441T/RB611T
- Paquete de baterías de ion litio / JPL91450A
- Cargador de baterías de ion litio / JC925A
- Cable de alimentación eléctrica
- MANUAL DE INSTRUCCIONES E INSTRUCCIONES DE SEGURIDAD (este libro)

3. ADVERTENCIAS GENERALES DE SEGURIDAD SOBRE LA HERRAMIENTA ELÉCTRICA

ADVERTENCIA

Lea todas las advertencias de seguridad, instrucciones, ilustraciones y especificaciones proporcionadas con esta herramienta eléctrica. Si no respeta todas las instrucciones enumeradas abajo pueden producirse descargas eléctricas, incendios y/o lesiones graves.

Conserve todas las advertencias e instrucciones para futuras consultas.

El término "herramienta eléctrica" indicado en las advertencias se refiere a la herramienta conectada (mediante cables) a la red eléctrica o accionada por batería (inalámbrica).

1. SEGURIDAD EN LA ZONA DE TRABAJO

- **Mantenga la zona de trabajo limpia y bien iluminada.** Las zonas de trabajo abarrotadas u oscuras propician los accidentes.
- **No utilice la herramienta eléctrica en atmósferas explosivas, como por ejemplo en presencia de líquidos inflamables, gases o polvo.** Las herramientas eléctricas generan chispas que pueden prender fuego al polvo o a los humos.
- **Mantenga alejados a los niños y a los curiosos mientras utiliza la herramienta eléctrica.** Las distracciones pueden hacerle perder el control.

2. SEGURIDAD ELÉCTRICA

- **Los enchufes de las herramientas eléctricas deben guardar correspondencia con la toma de corriente. Nunca modifique el enchufe de ninguna manera. No utilice ningún enchufe adaptador con las herramientas eléctricas conectadas a tierra.** Los enchufes sin modificaciones y en correspondencia con las tomas de corriente reducirán el riesgo de descarga eléctrica.
- **Evite el contacto corporal con las superficies conectadas a tierra, como tuberías, radiadores, estufas y neveras.** Si su cuerpo está conectado a tierra el riesgo de descarga eléctrica es mayor.
- **No exponga las herramientas eléctricas a la lluvia o la humedad.** La entrada de agua a una herramienta eléctrica aumentará el riesgo de descarga eléctrica.
- **Trate el cable con cuidado. No lo use nunca para trasladar, arrastrar o desenchufar la herramienta eléctrica. Mantenga el cable alejado del calor, el aceite, los bordes cortantes y las piezas móviles.** Los cables dañados o enredados aumentan el riesgo de descarga eléctrica.
- **Cuando use una herramienta eléctrica en el exterior, hágalo utilizando un cable de extensión adecuado.** El uso de un cable adecuado para utilización en el exterior reduce el riesgo de descarga eléctrica.
- **Si la utilización de una herramienta eléctrica en un lugar mojado es inevitable, use un dispositivo de corriente residual (RCD) con suministro protegido.** La utilización de un RCD reduce el riesgo de descarga eléctrica.

3. SEGURIDAD PERSONAL

- **Cuanto utilice una herramienta eléctrica permanezca alerta, preste atención a lo que hace y aplique el sentido común. No utilice una herramienta eléctrica si está cansado o bajo los efectos de drogas, bebidas alcohólicas o medicamentos.** Un instante de descuido durante la utilización de herramientas eléctricas puede provocar graves lesiones personales.
- **Use equipo de protección personal. Use siempre protección ocular.** El equipo de protección, como máscara antipolvo, zapatos de seguridad antideslizantes, casco y protección auditiva, utilizado en las condiciones apropiadas reducirá el riesgo de lesiones personales.

- **Prevenga la puesta en marcha accidental. Antes de conectar la herramienta a la red de alimentación eléctrica y/o al paquete de baterías, recogerla o trasladarla, asegúrese de que el interruptor esté en la posición "off" ("desconectado").** El traslado de las herramientas eléctricas con el dedo en el interruptor o con el interruptor en la posición "on" propicia los accidentes.
- **Antes de poner en marcha la herramienta retire de la misma toda llave de ajuste o llave inglesa.** Una llave inglesa o llave de ajuste sujeta a una pieza giratoria de la herramienta eléctrica puede provocar lesiones personales.
- **Utilice la herramienta sin extralimitarse. Manténgase en todo momento en equilibrio, con los pies bien apoyados en el suelo.** De este modo podrá controlar mejor la herramienta eléctrica en situaciones imprevistas.
- **Vístase adecuadamente. No use ropa holgada ni joyas. Mantenga el cabello y la ropa alejados de las piezas móviles.** Las prendas holgadas, las joyas o el cabello largo pueden quedar atrapados en las piezas móviles.
- **Si la herramienta tiene dispositivos para recogida y extracción de polvo, asegúrese de que están conectados y se utilizan adecuadamente.** El uso del dispositivo de recogida de polvo puede reducir los peligros relacionados con el mismo.
- **No deje que la familiaridad adquirida por el uso frecuente de herramientas le haga bajar la guardia e ignorar los principios de seguridad de la herramienta.** Un descuido puede provocar lesiones graves en una fracción de segundo.

4. UTILIZACIÓN Y CUIDADO DE LA HERRAMIENTA ELÉCTRICA

- **No fuerce la herramienta eléctrica. Use la herramienta eléctrica adecuada a sus necesidades.** La herramienta eléctrica adecuada hará mejor el trabajo y de manera más segura a la velocidad para la que fue diseñada.
- **No use la herramienta eléctrica si el interruptor no conmuta entre las posiciones "on" ("conectado") y "off" ("desconectado").** Toda herramienta eléctrica que no puede controlarse con el interruptor es peligrosa y debe repararse.
- **Desconecte el enchufe de la red eléctrica y/o retire el paquete de baterías, si es extraíble, de la**

herramienta antes de guardarla o de realizar ajustes o cambios de accesorios. Estas medidas de seguridad preventivas reducen el riesgo de puesta en marcha accidental de la herramienta eléctrica.

- **Guarde las herramientas eléctricas fuera de uso alejadas del alcance de los niños y no deje que las utilicen personas no familiarizadas con las mismas o con estas instrucciones.** El uso de herramientas eléctricas por personas que carecen de la formación necesaria resulta peligroso.
- **Realice el mantenimiento de las herramientas eléctricas y de sus accesorios. Compruebe que las piezas móviles estén bien alineadas y sujetas, y que ninguna pieza esté dañada o en un estado que pueda afectar al funcionamiento de la herramienta eléctrica. Si detecta alguna avería, haga reparar la herramienta eléctrica antes de usarla.** El mantenimiento deficiente de las herramientas eléctricas provoca muchos accidentes.
- **Mantenga las herramientas de corte afiladas y limpias.** Las herramientas de corte adecuadamente mantenidas y con los bordes afilados tienen menos probabilidades de atascarse y son más fáciles de controlar.
- **Use la herramienta eléctrica, los accesorios, las piezas, etc. de acuerdo con estas instrucciones, teniendo en cuenta las condiciones de trabajo y la tarea que debe realizar.** El uso de la herramienta eléctrica para trabajos que no sean los previstos podría provocar una situación peligrosa.
- **Mantenga las empuñaduras y las superficies de agarre secas, limpias y libres de aceite y grasa.** Las empuñaduras y superficies de agarre resbaladizas impiden manipular y controlar la herramienta con seguridad en situaciones imprevistas.

5. UTILIZACIÓN Y CUIDADO DE LA BATERÍA DE LA HERRAMIENTA

- **Recargue la batería únicamente con el cargador especificado por el fabricante.** Un cargador apto para un determinado tipo de paquete de baterías puede provocar riesgo de incendio si se utiliza con otro tipo de paquete de baterías.

- **Use las herramientas eléctricas sólo con los paquetes de batería diseñados específicamente.** El uso de cualquier otro paquete de baterías puede provocar riesgo de lesiones e incendio.
- **Cuando el paquete de baterías esté fuera de uso, manténgalo alejado de otros objetos metálicos, como clips para papeles, monedas, llaves, clavos, tornillos u otros objetos metálicos pequeños que pueden establecer la conexión entre un terminal y otro.** La unión de los terminales de baterías puede causar quemaduras o provocar un incendio.
- **En condiciones de uso inadecuadas la batería puede proyectar líquido, cuyo contacto es necesario evitar. Si accidentalmente entra en contacto con dicho líquido, lávese bien con agua. Si el líquido entra en contacto con los ojos, lávese con agua y acuda al médico.** El líquido proyectado por la batería puede causar irritación o quemaduras.
- **No utilice una herramienta o un paquete de baterías que estén dañados o hayan sido modificados.** Las baterías dañadas o modificadas pueden presentar un comportamiento impredecible y provocar un incendio, una explosión o lesiones.
- **No exponga el paquete de baterías ni la herramienta al fuego o a una temperatura excesiva.** La exposición al fuego o a temperaturas superiores a 130 °C puede provocar una explosión.
- **Siga todas las instrucciones de carga y no cargue el paquete de baterías ni la herramienta fuera del intervalo de temperatura especificado en las instrucciones.** Una carga realizada de forma inadecuada o a una temperatura fuera del intervalo especificado puede producir daños en la batería y aumentar el riesgo de incendio.

6. REPARACIÓN

- **La reparación de la herramienta eléctrica debe confiarse a un técnico cualificado que utilice únicamente las piezas de recambio originales.** De esta manera se garantizará la seguridad de la herramienta eléctrica.
- **Nunca repare un paquete de baterías dañado.** La reparación de un paquete de baterías sólo puede ser realizada por el fabricante o por proveedores autorizados de servicio técnico.

4. ADVERTENCIAS DE SEGURIDAD RELATIVAS A LA RB441T/RB611T

1. REVISE LAS PIEZAS ANTES DE MONTAR EL PAQUETE DE BATERÍAS

- Compruebe que los tornillos están bien ajustados.
Un ajuste insuficiente puede provocar un accidente o una avería en la herramienta. Si un tornillo está flojo, vuelva a apretarlo a fondo.
- Revise las piezas para comprobar que no presentan daños.
Las piezas se deterioran con el uso. Compruebe también que no faltan piezas y que no son defectuosas o de mala calidad. Si hay alguna pieza que deba reemplazarse o repararse, diríjase al proveedor donde compró la herramienta o a un distribuidor autorizado por MAX CO., LTD.
Use únicamente las piezas de recambio originales autorizadas.

2. COLOQUE EL INTERRUPTOR PRINCIPAL (FIG.6.⑮) EN LA POSICIÓN "OFF" ("DESCONECTADO"), COLOQUE EL SEGURO DEL DISPARADOR (FIG.6.②) EN LA POSICIÓN "LOCK" ("BLOQUEADO") Y EXTRAIGA EL PAQUETE DE BATERÍAS (FIG.6.⑤) CUANDO CAMBIE EL PAQUETE DE BATERÍAS, SUSTITUYA O AJUSTE EL ALAMBRE DE AMARRE, SE PRODUZCA CUALQUIER ANOMALÍA O LA HERRAMIENTA ESTÉ FUERA DE USO

Si se deja la herramienta activada en esas situaciones, pueden producirse lesiones o averías.

3. MANTENGA LOS DEDOS Y EL CUERPO APARTADOS DEL BRAZO Y DE LA GUÍA DE CURVADO EN TODO MOMENTO (FIG.23)

El incumplimiento de esta advertencia puede provocar lesiones graves.

4. MANTENGA LOS DEDOS Y EL CUERPO APARTADOS DEL ALAMBRE DE AMARRE CUANDO LA HERRAMIENTA ESTÉ EN FUNCIONAMIENTO

El incumplimiento de esta advertencia puede provocar lesiones graves.

5. NO APUNTE A NADIE CON LA HERRAMIENTA

Si la herramienta atrapa al operario o a alguien que esté trabajando cerca de él podría provocar lesiones. Cuando trabaje con la herramienta, tenga sumo cuidado de no acercar las manos, las piernas u otras partes del cuerpo al brazo de la misma.

6. CUANDO LA HERRAMIENTA NO ESTÉ EN FUNCIONAMIENTO, quite los dedos del disparador

El incumplimiento de esta advertencia puede ocasionar el accionamiento accidental de la herramienta y provocar lesiones graves.

7. NUNCA haga funcionar la herramienta en condiciones anómalas

Si la herramienta no está en buenas condiciones de funcionamiento, o si observa alguna anomalía, desconéctela inmediatamente (coloque el interruptor principal en la posición "OFF"), bloquee el disparador y haga que la revisen y la reparen.

8. DESPUÉS DE LA INSTALACIÓN DE LA BATERÍA, SI LA HERRAMIENTA SE PONE EN MARCHA SIN ACCIONAR EL DISPARADOR O SI EL OPERARIO ADVIERTE UN CALENTAMIENTO, OLOR O SONIDO INUSUALES, DEBE interrumpirse el funcionamiento

El incumplimiento de esta advertencia puede provocar lesiones graves. Lleve la herramienta al distribuidor para que reciba una inspección de seguridad.

9. NUNCA MODIFIQUE LA HERRAMIENTA

La modificación de la herramienta incidirá negativamente en el rendimiento y en la seguridad de funcionamiento. Cualquier modificación de la herramienta puede provocar lesiones graves y dar lugar a la anulación de la garantía.

10. MANIPULE LA HERRAMIENTA CON CUIDADO

Si la deja caer o sufre algún impacto, podría provocar averías o daños.

11. MANTENGA LA HERRAMIENTA EN BUENAS CONDICIONES DE FUNCIONAMIENTO

Para garantizar un funcionamiento seguro y el máximo rendimiento, proteja a la herramienta de las averías y el desgaste. Además, mantenga limpia y seca la

empuñadura de la herramienta, especialmente sin aceite o grasa.

12. USE ÚNICAMENTE EL PAQUETE DE BATERÍAS AUTORIZADO

Si está conectada a una fuente de energía que no es el paquete autorizado, como por ejemplo una batería recargable, una pila seca o un acumulador para automóviles, la herramienta puede resultar dañada, sufrir averías, recalentarse o incluso incendiarse. No conecte esta herramienta a ninguna fuente de energía que no sea el paquete de baterías autorizado.

13. PARA GARANTIZAR EL MÁXIMO RENDIMIENTO, CARGUE POR COMPLETO LA BATERÍA ANTES DE USARLA

Un paquete de baterías nuevo o que ha estado en desuso durante un período prolongado puede haberse descargado; en ese caso, es necesario volver a cargarlo al máximo de su capacidad. Antes de poner en funcionamiento la herramienta, asegúrese de cargar el paquete de baterías con el cargador de baterías de MAX especificado.

14. PRECAUCIÓN PARA LA CARGA DE LA BATERÍA

14-1 Use únicamente el cargador de baterías de MAX y el paquete de baterías de MAX.

El incumplimiento de esta indicación puede provocar el recalentamiento o el incendio de la batería, lo cual ocasionaría lesiones graves.

14-2 Cargue la batería en un enchufe de pared de CA de enter 100V y 240V.

El incumplimiento de esta indicación puede provocar recalentamiento o una carga inadecuada, lo cual posiblemente ocasionaría lesiones graves.

14-3 Nunca use un transformador.

14-4 Nunca conecte el cargador de baterías al suministro eléctrico de corriente continua de un grupo electrógeno.

El cargador se incendiará y sufrirá averías o daños.

14-5 Evite cargar el paquete de baterías bajo la lluvia, en un lugar húmedo o donde haya salpicaduras de agua.

La carga del paquete de baterías en un lugar mojado o húmedo provocará una descarga eléctrica o un cortocircuito

- que puede causar quemaduras e incluso incendiar la herramienta.
- 14-6 No toque el cable de alimentación ni el enchufe con las manos o los guantes húmedos.**
La descarga eléctrica podría causarle lesiones.
- 14-7 No cubra el cargador de baterías con un paño u otro objeto mientras se carga el paquete de baterías.**
Si lo hace, el cargador podría recalentarse y provocar quemaduras e incluso incendiarse.
- 14-8 Mantenga el paquete de baterías y el cargador de baterías alejados del calor y las llamas.**
- 14-9 No cargue el paquete de baterías cerca de materiales inflamables.**
- 14-10 Cargue el paquete de baterías en un lugar bien ventilado.**
Evite cargar el paquete de baterías en un lugar en el que esté expuesto a la luz solar directa.
- 14-11 Cargue el paquete de baterías en un intervalo de temperatura de 41°F (5°C) a 104°F (40°C).**
- 14-12 Evite el uso continuo del cargador de baterías.**
Deje descansar al cargador durante 15 minutos entre una y otra carga para evitar problemas de funcionamiento en la unidad.
- 14-13 Todo objeto que bloquee los orificios de ventilación o el receptáculo del paquete de baterías puede provocar descarga eléctrica o problemas de funcionamiento.**
Haga funcionar el cargador sin que tenga polvo u otros materiales extraños.
- 14-14 Manipule con cuidado el cable de alimentación.**
No traslade el cargador de baterías sujetándolo por el cable de alimentación. No tire del cable de alimentación para desconectarlo del enchufe de pared; el cable resultará dañado y se romperán los hilos o se producirá un cortocircuito. No deje que el cable de alimentación entre en contacto con herramientas de bordes afilados, materiales calientes, aceite o grasa. Si el cable está dañado es necesario repararlo o cambiarlo.

14-15 No use este cargador para cargar baterías no recargables.

14-16 Los niños y las personas discapacitadas no pueden usar este cargador sin supervisión.

14-17 Es necesario vigilar a los niños para asegurarse de que no jueguen con el cargador.

14-18 Ponga la tapa (Fig.2.⑰) sobre el terminal (Fig.2.⑱) del paquete de baterías.

Cuando el paquete de baterías no esté en uso, coloque la tapa sobre el terminal para evitar cortocircuitos.

14-19 No permita que se produzcan cortocircuitos en el terminal (componente metálico) del paquete de baterías.

Un cortocircuito en el terminal generará un exceso de corriente que recalentará al paquete de baterías provocándole daños.

14-20 Durante el verano, no deje ni guarde la herramienta en un vehículo o expuesta a la luz solar directa. Si la herramienta está en un lugar con temperaturas elevadas, el paquete de baterías puede deteriorarse.

14-21 No guarde un paquete de baterías completamente descargado. Un paquete de baterías completamente descargado y retirado del sistema puede resultar dañado si no se utiliza durante un tiempo prolongado. Cuando la batería se haya descargado, recárguela inmediatamente.

15. USE GAFAS DE SEGURIDAD MIENTRAS UTILIZA LA HERRAMIENTA

El amarre de acabado tiene bordes cortantes. Para evitar lesiones graves, tenga cuidado de no tocar los bordes cortantes.

16. ANTES DE USAR LA HERRAMIENTA

(Fig.4 y 5) Asegúrese de que los dispositivos de seguridad funcionan correctamente. En caso contrario, evite usar la herramienta.

5. DATOS TÉCNICOS Y ESPECIFICACIONES DE LA HERRAMIENTA

DESCRIPCIÓN DEL PRODUCTO	Atadora de armaduras de refuerzo MAX "TWINTIER"	
N° DE PRODUCTO	RB441T	RB611T
DIMENSIONES (paquete de baterías incluido)	(Alto) 11-1/2" (295mm) (Ancho) 4-7/8" (125mm) (Largo) 13" (330mm)	(Alto) 11-7/8" (300mm) (Ancho) 4-7/8" (125mm) (Largo) 13-7/8" (350mm)
PESO (paquete de baterías incluido)	5.6lbs (2.5kg)	5.7lbs (2.6kg)
BATERÍA	Paquete de baterías de ion litio / JPL91450A	
TEMPERATURA DE FUNCIONAMIENTO	14°F a 104°F (-10°C a 40°C)	
HUMEDAD	80% HR o menos	

<CARGADOR DE BATERÍAS>

DESCRIPCIÓN DEL PRODUCTO	Cargador de baterías de ion litio
MODELO	JC925A
ENTRADA	CA 100-240 V 50/60 Hz 2,2 A
SALIDA	CC 14,4 V 4 A, CC 18 V 4 A, CC 25,2 V 2,8 A
PESO	1,7 lbs (0,7 kg)
INTERVALO DE TEMPERATURA DE FUNCIONAMIENTO	41°F a 104°F (5°C a 40°C)
INTERVALO DE HUMEDAD DE FUNCIONAMIENTO	80% HR o menos

<PAQUETE DE BATERÍAS>

DESCRIPCIÓN DEL PRODUCTO	Paquete de baterías de ion litio
MODELO	JPL91450A
VOLTAJE NOMINAL	CC 14,4 V (3,6 V x 4 celdas)
CAPACIDAD NOMINAL	4,9 Ah (4.900 mAh)
TIEMPO DE CARGA	Carga rápida: aprox. 60 min (aprox. 80% de capacidad) Carga completa: aprox. 80 min (100% de capacidad)
ACCESORIOS	Tapa del paquete
PESO	1,1 lbs (0,5 kg)
TEMPERATURA DE CARGA	41°F a 104°F (5°C a 40°C)
INTERVALO DE TEMPERATURA DE FUNCIONAMIENTO	32°F a 104°F (0°C a 40°C)
INTERVALO DE HUMEDAD DE FUNCIONAMIENTO	80% HR o menos

AMARRES POR CARGA (*bajo las siguientes condiciones: temperatura normal, batería sin uso, totalmente cargada)	Aprox. 5.000 amarres
--	----------------------

No use la herramienta eléctrica bajo la lluvia, en una superficie con salpicaduras de agua, o en un lugar húmedo o mojado. La utilización de la herramienta en esas condiciones o similares aumentaría el riesgo de descarga eléctrica, avería peligrosa y recalentamiento.

8. ESPECIFICACIONES DEL ALAMBRE

ALAMBRE DE AMARRE			TW1061T	TW1061T-PC	TW1061T-EG	TW1061T-S
TIPO DE ALAMBRE			Alambre recocido	Alambre bañado en poliéster	Alambre electrogalvanizado	Alambre inoxidable
DIÁMETRO			19GA (1,0 mm)	19GA (1,1 mm)	19GA (1,0 mm)	19GA (1,0 mm)
AMARRES POR BOBINA	RB441T	#3 × #3 (10 mm × 10 mm)	Aprox. 265 amarres	Aprox. 230 amarres	Aprox. 265 amarres	Aprox. 265 amarres
		#4 × #4 (13 mm × 13 mm)	Aprox. 240 amarres	Aprox. 210 amarres	Aprox. 240 amarres	Aprox. 240 amarres
		#7 × #5 × #5 (22 mm × 16 mm × 16 mm)	Aprox. 170 amarres	Aprox. 150 amarres	Aprox. 170 amarres	Aprox. 170 amarres
	RB611T	#5 × #5 (16 mm × 16 mm)	Aprox. 205 amarres	Aprox. 170 amarres	Aprox. 205 amarres	Aprox. 205 amarres
		#7 × #7 (22 mm × 22 mm)	Aprox. 170 amarres	Aprox. 145 amarres	Aprox. 170 amarres	Aprox. 170 amarres
		#12 × #5 (38 mm × 16 mm)	Aprox. 150 amarres	Aprox. 125 amarres	Aprox. 150 amarres	Aprox. 150 amarres
		#12 × #5 × #5 (38 mm × 16 mm × 16 mm)	Aprox. 140 amarres	Aprox. 115 amarres	Aprox. 140 amarres	Aprox. 140 amarres


• La RB441T/RB611T no es compatible con la serie TW898 ni con la serie TW1525.

9. APLICACIONES

- Paneles de hormigón prefabricado
- Cimientos de edificios
- Edificios comerciales
- Carreteras y puentes
- Tuberías de calefacción por suelo radiante

10. TAMAÑO DE ARMADURA APLICABLE


■ Combinación de 2 armaduras

		Mínimo	Máximo
	RB441T	#3 × #3 (10mm × 10mm)	#7 × #7 (22mm × 22mm) #8 × #6 (25mm × 19mm)
	RB611T	#5 × #5 (16mm × 16mm)	#10 × #9 (32mm × 29mm) #13 × #6 (41mm × 19mm)

■ Combinación de 3 armaduras

		Mínimo	Máximo
	RB441T	#3 × #3 × #3 (10mm × 10mm × 10mm)	#7 × #5 × #5 (22mm × 16mm × 16mm) #8 × #4 × #4 (25mm × 13mm × 13mm)
	RB611T	#3 × #3 × #3 (10mm × 10mm × 10mm)	#12 × #5 × #5 (38mm × 16mm × 16mm)


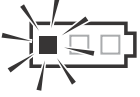



■ Combinación de 4 armaduras

		Mínimo	Máximo
	RB441T	#3 × #3 × #3 × #3 (10mm × 10mm × 10mm × 10mm)	#5 × #5 × #4 × #4 (16mm × 16mm × 13mm × 13mm)
	RB611T	#3 × #3 × #3 × #3 (10mm × 10mm × 10mm × 10mm)	#6 × #6 × #6 × #6 (19mm × 19mm × 19mm × 19mm)

11. INSTRUCCIONES DE LA BATERÍA

Acerca del indicador de nivel de la batería

- (1) Para comprobar el nivel de la batería (excepto mientras está cargando o si se está manipulando la herramienta de carga), pulse el botón de comprobación de nivel de la batería (Fig.33. 28).
- (2) El indicador de nivel de la batería (Fig.33. 29) se ilumina según el nivel de la batería.

	Nivel de la batería: 0%	Nivel de la batería: aprox. entre el 0 y el 10%	Nivel de la batería: aprox. entre el 10 y el 40%	Nivel de la batería: aprox. entre el 40 y el 70%	Nivel de la batería: aprox. entre el 70 y el 100%
Indicador de nivel de la batería					
	Todos los indicadores APAGADOS	Un indicador rojo intermitente	Un indicador rojo encendido	Dos indicadores rojos encendidos	Tres indicadores rojos encendidos

Vida útil del paquete de baterías

Si se observa alguna de las situaciones que se describen a continuación, el paquete de baterías ha llegado al final de su vida útil. Cámbielo por uno nuevo.

Aunque el paquete de baterías se haya cargado correctamente (totalmente cargado), se observa una importante reducción del tiempo de amarre.

AVISO

- Cuando esto suceda, no cargue el paquete de baterías. Si la velocidad de rotación del motor se desacelera, se considera que la energía del paquete de baterías está a punto de agotarse. Si se sigue utilizando la herramienta, se ocasionará una descarga excesiva, lo que podría acortar la vida útil del paquete de baterías y ocasionar problemas de funcionamiento del cuerpo principal de la herramienta.
- No use un paquete de baterías caducado.
- Si lo hace, el cuerpo principal del aparato sufrirá problemas de funcionamiento. Cargar un paquete de baterías caducado también provocaría problemas de funcionamiento en el cargador de baterías.
- No arroje las baterías o paquetes de baterías al fuego ni al agua. Las baterías o paquetes de baterías deben recogerse, reciclarse o eliminarse de una manera que no afecte al medioambiente.
- Proteja la batería frente el calor, la radiación solar continua y el fuego. Existe peligro de explosión.
- Cargue el paquete de baterías en un rango de temperatura de entre 41 °F (5 °C) y 104 °F (40 °C).

Reciclado de una batería de ion litio

El producto que ha adquirido funciona con una batería de ion litio que es reciclable. Cuando llegue al final de su vida útil, y según la normativa estatal y local, es ilegal eliminar la batería en el sistema ordinario de residuos municipales. Llame al 1-800-8-BATTERY para obtener información sobre cómo reciclar la batería.

El paquete de baterías MAX utiliza una batería de ion litio; puede ser ilegal eliminar esta batería en el sistema de residuos municipales. Consulte las disposiciones vigentes en su zona para el reciclado y la eliminación correcta de este tipo de producto.



PRECAUCIÓN

Cuando proceda a eliminar el paquete de baterías, asegúrese de poner la tapa del paquete en el terminal (asegurada con cinta aislante) para evitar cortocircuitos.

12. INSTRUCCIONES DE FUNCIONAMIENTO

1. Cómo instalar el alambre de amarre

(Fig.6) Coloque el interruptor principal (15) en la posición "OFF" ("DESCONECTADO"), coloque el seguro del disparador (2) en la posición "LOCK" ("BLOQUEADO") y extraiga el paquete de baterías (5).



PRECAUCIÓN

- Vigile que el alambre de amarre no se caiga o reciba un golpe fuerte. Ello podría provocar daños o averías en la herramienta.
- Tenga cuidado con la punta del alambre cuando manipule el alambre de amarre. Podría provocar lesiones.

1-1 (Fig.9) Presione el botón de desbloqueo (8) de la herramienta y confirme que dicho botón queda asegurado en el bloqueo (9).

1-2 (Fig.10) Tire de la punta del alambre de amarre expuesto.

ASEGÚRESE DE USAR ÚNICAMENTE EL ALAMBRE DE AMARRE ESPECIFICADO (SERIE TW1061T de MAX).

El uso de un alambre de amarre que no sea el especificado puede provocar averías en la herramienta. Por lo tanto, asegúrese de usar únicamente la serie TW1061T de MAX especificada.

La RB441T/RB611T no es compatible con la serie TW898 ni con la serie TW1525.

NO UTILICE ALAMBRE OXIDADO.

El uso de alambre oxidado puede provocar problemas de funcionamiento en la herramienta.

1-3 (Fig.11) Gire el bloqueador del compartimento de bobina (6) 45° hacia la izquierda.

1-4 (Fig.12, 13) Abra la cubierta del compartimento de bobina (24) e instale el alambre de amarre en el compartimento (7) de modo que el lado de la ranura de sujeción (25) de la bobina quede orientado hacia arriba.

1-5 (Fig.14) Agarre la herramienta con la mano izquierda, sujete la punta del alambre con la mano derecha, y extraiga el alambre por la ranura de sujeción.

AVISO

Las dos puntas de alambre del nuevo alambre de amarre están trenzadas.

1-6 (Fig.15) Estire la punta del alambre e introduzca el alambre trenzado a lo largo de la guía del alambre (19).

1-7 (Fig.16) Confirme a través de la ventanilla que la parte trenzada del alambre ha pasado por los dos engranajes de alimentación (18).

1-8 (Fig.17) Presione el bloqueo (9) hacia arriba y confirme que el botón de desbloqueo se ha elevado.

1-9 (Fig.18) Cierre la cubierta del compartimento de bobina y gire el bloqueador del compartimento 45° hacia la derecha.

Si la ventanilla está sucia

Abra la ventanilla (Fig.1.17) y elimine la suciedad del interior de la ventanilla con un paño. Después de limpiar, cierre de nuevo la ventanilla para asegurarse de que ningún material extraño penetre en la herramienta.

2. Cómo utilizar la RB441T/RB611T

(Fig.6) Coloque el interruptor principal (15) en la posición "OFF" ("DESCONECTADO"), coloque el seguro del disparador (2) en la posición "LOCK" ("BLOQUEADO") y extraiga el paquete de baterías (5).

2-1 (Fig.19) Introduzca el paquete de baterías en el cuerpo principal de la herramienta hasta oír un clic.

2-2 (Fig.20) Cuando el interruptor principal (15) está en posición "ON" ("CONECTADO"), el gancho (Fig.1.16) de la punta gira automáticamente para inicializarse. No acerque los dedos a ninguna pieza giratoria o móvil bajo ninguna circunstancia. Coloque el interruptor principal en la posición "ON" ("CONECTADO") y el seguro del disparador (2) en la posición "UNLOCK" ("DESBLOQUEADO").

2-3 (Fig.21) Incline la herramienta en un ángulo de 45° respecto de las armaduras entrecruzadas.

2-4 (Fig.22) Alinee la marca central (11) con el centro de las armaduras entrecruzadas.

2-5 Cuando se acciona el disparador, la herramienta completa automáticamente una serie de acciones de amarre (alimentación, corte, sujeción y amarre).



ADVERTENCIA

- (Fig.23) Cuando el interruptor principal (Fig.1.⑮) está en posición "ON" ("CONECTADO"), el gancho (Fig.1.⑯) de la punta gira automáticamente para inicializarse. No acerque los dedos a ninguna pieza giratoria o móvil bajo ninguna circunstancia.
- No toque ninguna pieza giratoria o móvil, como el gancho de la punta o el alambre de amarre, durante el trabajo de amarre (mientras la herramienta está en funcionamiento).

3. Cómo extraer el alambre de amarre

(Fig.6) Coloque el interruptor principal (⑮) en la posición "OFF" ("DESCONECTADO"), coloque el seguro del disparador (②) en la posición "LOCK" ("BLOQUEADO") y extraiga el paquete de baterías (⑤).

- 3-1 (Fig.9) Presione el botón de desbloqueo (⑧) de la herramienta y confirme que dicho botón queda asegurado en el bloqueo (⑨).
- 3-2 (Fig.11) Gire el bloqueador del compartimento de bobina (⑥) para abrir la cubierta del compartimento.
- 3-3 (Fig.24) Extraiga el alambre de amarre del compartimento de bobina.
- 3-4 (Fig.25) Extraiga el alambre con la pieza de plástico de la guía del alambre.

4. Cuando el alambre de amarre se agota

(Fig.26) La pieza de plástico se desprende cuando el alambre se agota, y puede desecharse por separado como plástico y alambre metálico (quedan unos 8" (20 cm) tras un uso normal).

(Fig.6) Coloque el interruptor principal (⑮) en la posición "OFF" ("DESCONECTADO"), coloque el seguro del disparador (②) en la posición "LOCK" ("BLOQUEADO") y extraiga el paquete de baterías (⑤).

5. Ajuste de la tensión

(Fig.27.⑬) El disco selector le permite ajustar ligeramente el par de tensión del alambre. Para aumentar la tensión, gírelo hacia la izquierda. Para disminuir la tensión, gírelo hacia la derecha.

6. Función de desconexión automática

Esta herramienta tiene una función de "Desconexión automática" que ahorra consumo de energía de la batería cuando la herramienta no está en funcionamiento. Si la herramienta está sin funcionar durante 30 minutos, se desconecta automáticamente. Cuando el suministro eléctrico se interrumpa automáticamente, coloque el interruptor principal en la posición "OFF" ("DESCONECTADO") y luego vuelva a colocarlo en la posición "ON" ("CONECTADO") para poner en funcionamiento la herramienta.

7. Para una tensión correcta

- 7-1 (Fig.21) Incline la herramienta en un ángulo de 45° respecto de las armaduras entrecruzadas.
- 7-2 (Fig.22) Alinee la marca central (⑪) con el centro de las armaduras entrecruzadas.
- 7-3 (Fig.28) Coloque la herramienta perpendicularmente a la superficie de las armaduras entrecruzadas.

Durante el funcionamiento de la herramienta

No mueva la herramienta durante la operación de amarre hasta que deje de funcionar automáticamente.

- 7-4 (Fig.29) Amarre en dirección alterna.
- 7-5 (Fig.30) Amarre entrecruzado.
Antes de realizar el segundo amarre, doble el nudo del primero.

8. Cómo instalar de nuevo un alambre de amarre previamente usado

(Fig.31) Introduzca los dos alambres en la guía del alambre (⑱) sin trenzarlos.

9. (Fig.1) Cómo colocar y extraer el gancho para cinturón de la herramienta

El gancho para cinturón puede colocarse tanto en el lado derecho como en el izquierdo de la herramienta.

Montaje/Desmontaje del gancho para cinturón

(Montaje)

Inserte el gancho para cinturón en la ranura de la herramienta. Fíjelo con un tornillo.

(Desmontaje)

Afloje el tornillo y, a continuación, desmonte el gancho para cinturón.



ADVERTENCIA

- **Cuando utilice el gancho para cinturón o cambie la posición, coloque el interruptor principal (15) en la posición "OFF" ("DESCONECTADO"), coloque el seguro del disparador (2) en la posición "LOCK" ("BLOQUEADO") y extraiga el paquete de baterías (5).**

De no observar esta instrucción, la herramienta podría ponerse en marcha accidentalmente y provocar un accidente.

- **Antes de usar el gancho para cinturón, asegúrese de que el gancho está correctamente montado en la herramienta.**

El uso de un gancho para cinturón montado incorrectamente podría provocar lesiones personales.

- **Apriete firmemente el tornillo original especificado.**

Si el tornillo se afloja a causa de la vibración o de otros movimientos generados durante el funcionamiento, el tornillo flojo puede provocar una caída accidental de la herramienta.

- **Cuando utilice el gancho para cinturón, la herramienta debe engancharse de forma segura para que no se caiga.**

Si la herramienta se cae, podría provocar un accidente.

13. ALMACENAMIENTO Y MANTENIMIENTO

No guarde la herramienta en lugares fríos.

Manténgala en un lugar templado.

Cuando no la utilice, guarde la herramienta en un lugar templado y seco. Manténgala fuera del alcance de los niños.

EXTRAIGA LA BOBINA DE ALAMBRE DE AMARRE

Al finalizar la operación de amarre con alambre, extraiga la bobina de la herramienta.

GUARDE LA HERRAMIENTA

Cuando haya finalizado la operación de amarre o cuando la herramienta no vaya a usarse durante un tiempo, coloque el interruptor principal (Fig. 1. 15) en la posición "OFF"

("DESCONECTADO"), coloque el seguro del disparador (Fig. 1. 2) en la posición "LOCK" ("BLOQUEADO") y extraiga el paquete de baterías (Fig. 1. 5).

La herramienta y los accesorios deben guardarse en un lugar seco y bien ventilado en el que la temperatura no supere los 104°F (40°C).

El paquete de baterías, con la tapa (Fig. 2. 21) instalada para evitar cortocircuitos, debe guardarse en un lugar seco y bien ventilado en el que la temperatura no supere los 86°F (30°C).

MANTENIMIENTO

No sople aire alrededor de los engranajes de alimentación (Fig. 1. 18) y los ganchos (Fig. 1. 16).

El polvo puede penetrar en la máquina y provocar errores de funcionamiento.

Si se repiten tres pitidos cortos, limpie delicadamente los laterales de los sensores (Fig. 32. 26) y la parte superior de las lentes (Fig. 32. 27) con un paño suave o con un bastoncillo de algodón.

Limpie la herramienta con un paño seco suave.

No utilice un paño húmedo o sustancias volátiles, como diluyentes o bencina.

No lubrique la herramienta.

No lubrique esta herramienta bajo ningún concepto. La aplicación de lubricante eliminará la grasa del interior de la herramienta y provocará problemas.

14.ALARMAS ACÚSTICAS Y PROCEDIMIENTOS A SEGUIR

Esta herramienta incorpora alarmas acústicas que suenan en las circunstancias siguientes. Si suena una alarma acústica, lleve a cabo los procedimientos indicados a continuación.

ADVERTENCIA

- Si se producen las circunstancias siguientes, coloque el interruptor principal (Fig.1.⑮) en la posición "OFF" ("DESCONECTADO"), coloque el seguro del disparador (Fig.1.②) en la posición "LOCK" ("BLOQUEADO") y extraiga el paquete de baterías (Fig.1.⑤) antes de llevar a cabo los procedimientos indicados.
- Cuando coloque el interruptor principal en la posición "ON", no toque las piezas de amarre o giratorias bajo ninguna circunstancia.

<Tipos de alarmas acústicas y procedimientos a seguir>

Tipos de alarmas acústicas	Causa posible	Procedimientos a seguir
Una vez (pi, pi, pi...)	El alambre está atascado en el gancho (Fig.1.⑯)	Compruebe si el alambre u otro objeto se ha atascado en el gancho.
	El motor está caliente	Deje que la herramienta descanse y se enfríe.
Dos veces (pipi, pipi, pipi...)	Queda poca carga en la batería	Cargue el paquete de baterías.
	El paquete de baterías no está bien insertado.	Inserte correctamente el paquete de baterías.
Tres veces (pipipi, pipipi, pipipi...)	El alambre de amarre se ha agotado	Cámbielo por uno nuevo.
	El alambre de amarre se ha atascado	Abra la cubierta del compartimento de bobina (Fig.12.⑳) y libere el alambre atascado.
	Limpie el sensor del compartimento de bobina.	Limpie delicadamente los laterales de los sensores y las lentes con agua o con un bastoncillo de algodón.
Pitido agudo continuo (piii...)	La guía de curvado (Fig.1.⑩) está abierta (RB441T)	Confirme los diámetros compatibles de las armaduras de refuerzo.
Sonido continuo en tonos graves y agudos (pii poh pii poh...)	Estructura interna, defecto en el mecanismo de accionamiento interno	Interrumpa el funcionamiento inmediatamente, coloque el interruptor principal (Fig.6.⑮) en la posición "OFF" ("DESCONECTADO"), coloque el seguro del disparador (Fig.6.②) en la posición "LOCK" ("BLOQUEADO") y extraiga el paquete de baterías (Fig.6.⑤) antes de consultar el problema. A continuación, póngase en contacto con el proveedor al que adquirió la herramienta o con un distribuidor autorizado por MAX CO., LTD.
Un solo sonido corto (popi)		

<Si no suena ninguna alarma acústica pero el funcionamiento parece ser incorrecto>

Síntoma	Causa posible	Procedimientos a seguir
El interruptor principal está en la posición "ON" ("CONECTADO") pero la herramienta no funciona	La carga de la batería se ha agotado	Instale una nueva batería y confirme que la herramienta funciona.
El producto no funciona	La función de desconexión automática está activada	Cambie el interruptor principal (Fig.1.⑮) de la posición "OFF" ("DESCONECTADO") a la posición "ON" ("CONECTADO").
El amarre no es correcto	El alambre toca las armaduras de refuerzo durante el amarre	Realice la operación de amarre de forma que el alambre no toque las armaduras de refuerzo.
El alambre se retuerce	El tamaño de las armaduras de refuerzo no es adecuado	Utilice armaduras de refuerzo con diámetros compatibles.
	El disco selector del par de tensión se ha ajustado en un valor demasiado alto	Ajuste el disco selector del par de tensión (Fig.1.⑬) en un valor más bajo.
La tensión es demasiado baja	El punto de amarre no está situado en la marca central (Fig.22.①)	Alinee la marca central con el centro de las armaduras entrecruzadas y accione el disparador.
	El tamaño de las armaduras de refuerzo no es adecuado	Utilice armaduras de refuerzo con diámetros compatibles.
	El disco selector del par de tensión se ha ajustado en un valor demasiado bajo	Ajuste el disco selector del par de tensión (Fig.1.⑬) en un valor más alto.
La forma del amarre está visiblemente deformada	Hay piezas desgastadas o deterioradas	Interrumpa el funcionamiento inmediatamente, coloque el interruptor principal (Fig.6.⑮) en la posición "OFF" ("DESCONECTADO"), coloque el seguro del disparador (Fig.6.②) en la posición "LOCK" ("BLOQUEADO") y extraiga el paquete de baterías (Fig.6.⑤) antes de consultar el problema. A continuación, póngase en contacto con el proveedor al que adquirió la herramienta o con un distribuidor autorizado por MAX CO., LTD.
La herramienta se atasca con mayor frecuencia		

MODE D'EMPLOI ET CONSIGNES DE SÉCURITÉ**SOMMAIRE**

1. NOM DES PIÈCES.....	38
2. LISTE DU CONTENU	39
3. AVERTISSEMENTS DE SÉCURITÉ GÉNÉRAUX RELATIFS AUX OUTILS ÉLECTRIQUES	39
4. DISPOSITIFS DE SÉCURITÉ RB441T/RB611T	41
5. CARACTÉRISTIQUES TECHNIQUES ET DONNÉES TECHNIQUES DE L'OUTIL	44
6. CARACTÉRISTIQUES TECHNIQUES	45
7. ANNÉE DE PRODUCTION.....	45
8. SPÉCIFICATIONS DU FIL.....	46
9. APPLICATIONS.....	46
10. TAILLES DE BARRES UTILISABLES.....	47
11. INSTRUCTIONS CONCERNANT LA BATTERIE	48
12. UTILISATION	49
13. ENTREPOSAGE ET ENTRETIEN	51
14. SONNERIES D'AVERTISSEMENT ET PROCÉDURES À SUIVRE	52

DÉFINITION DES MOTS-INDICATEURS

- AVERTISSEMENT :** indique une situation dangereuse qui, si elle n'est pas évitée, pourrait entraîner la mort ou des blessures graves.
- ATTENTION :** indique une situation dangereuse qui, si elle n'est pas évitée, pourrait entraîner des blessures graves mineures ou modérées.
- AVIS :** indique un message relatif à des dommages matériels

1. NOM DES PIÈCES

Fig. 1

- | | | |
|-------------------------------|---------------------------|----------------------------|
| ① Bras | ⑧ Bouton de désengagement | ⑮ Interrupteur principal |
| ② Verrouillage du déclencheur | ⑨ Verrou de levier | ⑯ Crochet |
| ③ Déclencheur | ⑩ Guide de bouclage | ⑰ Fenêtre |
| ④ Poignée | ⑪ Repère central | ⑱ Engrenage d'alimentation |
| ⑤ Bloc batterie | ⑫ Numéro de série | ⑲ Guide fil |
| ⑥ Butée du magasin | ⑬ Molette de couple | ⑳ Crochet de ceinture |
| ⑦ Magasin | ⑭ Voyant LED | |

Fig. 2

- ⑳ Couverture de batterie
- ㉑ Contact
- ㉒ Verrou

Fig. 3

Reportez-vous au manuel d'utilisation et d'entretien du JC925A

Fig. 12

- ㉔ Capot du magasin

Fig. 13

- ㉕ Fente de maintien

Fig.32









- ㉖ Capteur
- ㉗ Lentille

Fig.33

- ㉘ Bouton de vérification du niveau de batterie
- ㉙ Jauge du niveau de batterie

Symboles

Les symboles suivants sont utilisés pour la machine.

	Tenez les mains et les parties du corps éloignées du bras et du guide de bouclage.		ATTENTION AVERTISSEMENT
	DÉVERROUILLER VERROUILLER		Lisez le mode d'emploi et les consignes de sécurité avant d'utiliser l'outil.
	Volts nominaux		Ne jetez pas les blocs batteries/ batteries au feu ou dans l'eau.
	Courant continu		Protégez la batterie contre la chaleur et l'exposition au soleil.

2. LISTE DU CONTENU

- Outil de ligature de barres MAX / RB441T / RB611T
- Bloc batterie lithium-ion/JPL91450A
- Chargeur de batterie lithium-ion/JC925A
- Cordon d'alimentation
- MODE D'EMPLOI ET CONSIGNES DE SÉCURITÉ (le présent manuel)

3. AVERTISSEMENTS DE SÉCURITÉ GÉNÉRAUX RELATIFS AUX OUTILS ÉLECTRIQUES

⚠ AVERTISSEMENT

Lisez tous les avertissements de sécurité, toutes les consignes, toutes les illustrations et toutes les spécifications fournis avec cet outil électrique. Un non-respect de chacune des consignes listées ci-dessous peut entraîner un choc électrique, un incendie et/ou des blessures graves.

Conservez tous les avertissements et consignes pour une consultation ultérieure.

Le terme « outil électrique » dans les avertissements fait référence à votre outil électrique raccordé au secteur (cordon d'alimentation) ou fonctionnant avec une batterie (sans fil).

1. SÉCURITÉ DE LA ZONE DE TRAVAIL

- **Maintenez la zone de travail propre et bien éclairée.** Des zones en désordre ou sombres entraînent des accidents.
- **N'utilisez pas les outils électriques dans des atmosphères explosives, telles qu'en présence de liquides, gaz ou poussière inflammables.** Les outils électriques créent des étincelles qui enflamment la poussière ou les vapeurs.
- **Tenez les enfants ou les personnes qui vous entourent à distance lorsque vous utilisez un outil électrique.** Des distractions peuvent vous faire perdre le contrôle de l'outil.

2. SÉCURITÉ ÉLECTRIQUE

- **Les fiches des outils électriques doivent s'adapter à la prise. Ne modifiez jamais en aucune manière la fiche d'un outil. N'utilisez aucune fiche d'adaptateur avec des outils électriques mis à la terre (masse).** Des fiches non modifiées et des prises adaptées réduiront le risque de choc électrique.
- **Évitez tout contact corporel avec les surfaces mises à la terre ou à la masse, telles que des tuyaux, des radiateurs, des cuisinières et des réfrigérateurs.** Le risque de choc électrique est accru si votre corps est mis à la terre ou à la masse.
- **N'exposez pas les outils électriques à la pluie ou l'humidité.** La pénétration d'eau dans un outil électrique augmente le risque de choc électrique.
- **Ne détériorez pas le cordon. N'utilisez jamais le cordon pour porter, tirer ou débrancher l'outil électrique. Maintenez le cordon à distance de la chaleur, de l'huile, de bords tranchants et de pièces mobiles.** Des cordons endommagés ou emmêlés augmentent le risque de choc électrique.
- **Lorsque vous utilisez un outil électrique à l'extérieur, utilisez une rallonge adaptée.** L'utilisation d'une rallonge adaptée à une utilisation à l'extérieur réduit le risque de choc électrique.
- **Si vous êtes obligé d'utiliser un outil électrique dans un endroit humide, utilisez une alimentation électrique protégée par un disjoncteur différentiel de fuite à la terre (DDFT).** L'utilisation d'un DDFT réduit le risque de choc électrique.

3. SÉCURITÉ PERSONNELLE

- **Restez vigilant, regardez ce que vous faites et faites preuve de bon sens lorsque vous utilisez un outil électrique. N'utilisez pas un outil électrique lorsque vous êtes fatigué ou sous l'influence de drogues, d'alcool ou de médicaments.** Un moment d'inattention lorsque vous utilisez des outils électriques peut entraîner des blessures graves.
- **Utilisez un équipement de protection individuel. Portez toujours une protection oculaire.** Un équipement de protection tel qu'un masque antipoussière, des chaussures de

sécurité antidérapantes, un casque ou une protection auditive, utilisé dans des conditions appropriées réduira les dommages corporels.

- **Évitez tout démarrage involontaire. Vérifiez que l'interrupteur est en position Arrêt avant de brancher la source électrique et/ou le bloc batterie, de ramasser ou de transporter l'outil.**

Le transport d'outils électriques avec le doigt sur l'interrupteur ou la mise sous tension d'outils électriques dont l'interrupteur est en position Marche entraîne des risques d'accident.

- **Retirez toute clé ou clavette de calage avant de mettre l'appareil électrique sous tension.**

Une clé ou une clavette toujours fixée sur une pièce rotative de l'outil électrique peut entraîner des dommages corporels.

- **Ne tendez pas le bras trop loin. Restez bien en équilibre sur vos pieds en permanence.** Ceci permet un meilleur contrôle de l'outil électrique dans des situations inattendues.

- **Portez une tenue appropriée. Ne portez pas de vêtements amples ni de bijoux. Tenez vos cheveux et vêtements à distance des pièces mobiles.** Des vêtements amples, des bijoux ou des cheveux longs peuvent se coincer dans les pièces mobiles.

- **Si des appareils sont fournis pour le raccordement aux dispositifs de récupération et d'extraction de la poussière, vérifiez qu'ils sont raccordés et correctement utilisés.**

L'utilisation d'un dispositif de récupération de la poussière peut réduire les risques liés à la poussière.

- **La connaissance des outils, acquise par l'usage fréquent de ces derniers, ne doit pas vous dispenser d'être prudent et d'appliquer les principes de sécurité.** Une action inconsidérée peut provoquer de graves blessures en une fraction de seconde.

4. UTILISATION ET ENTRETIEN D'UN OUTIL ÉLECTRIQUE

- **N'exercez aucune force sur l'outil. Utilisez l'outil électrique adapté à votre application.** L'outil électrique adapté exécutera le travail d'une manière plus correcte et plus sûre à la vitesse pour laquelle il est conçu.

- **N'utilisez pas l'outil électrique si l'interrupteur ne fonctionne pas correctement.** Un outil électrique qui ne peut pas être commandé à l'aide de l'interrupteur est dangereux et doit être réparé.

- **Débranchez la fiche de l'alimentation électrique et/ou retirez le bloc-batterie, s'il est amovible, de l'outil électrique, avant d'effectuer un quelconque réglage, de changer d'accessoire ou de ranger l'outil électrique.** Ces mesures préventives réduisent le risque d'un démarrage accidentel de l'outil électrique.

- **Rangez des outils électriques à l'arrêt hors de portée des enfants et ne laissez pas des personnes non familiarisées avec l'outil électrique ou ces consignes utiliser cet outil.** Les outils électriques sont dangereux dans les mains d'utilisateurs non formés.

- **Entretenez les outils électriques et les accessoires. Vérifiez que des pièces mobiles ne sont pas désalignées ou coincées, que des pièces ne sont pas cassées ou vérifiez tout autre état qui pourrait gêner le fonctionnement de l'outil électrique. Si l'outil électrique est endommagé, faites-le réparer.** Un grand nombre d'accidents sont causés par des outils électriques mal entretenus.

- **Maintenez les outils de coupe affûtés et propres.** Des outils de coupe correctement entretenus avec des bords tranchants affûtés risquent moins de se coincer et sont plus faciles à contrôler.

- **Utilisez l'outil électrique, les accessoires et les embouts, etc. conformément à ces consignes, en prenant en compte les conditions de travail et le travail à réaliser.** L'utilisation de l'outil électrique pour des opérations différentes de celles pour lesquelles il est prévu peut entraîner une situation dangereuse.

- **Les poignées et les surfaces de maintien doivent toujours être propres, sèches et sans traces d'huile ni de graisse.** Les poignées et surfaces de maintien glissantes empêchent de manipuler et de contrôler l'outil en toute sécurité dans des situations imprévues.

5. UTILISATION ET ENTRETIEN D'UN OUTIL FONCTIONNANT AVEC UNE BATTERIE

- **Rechargez uniquement à l'aide du chargeur spécifié par le fabricant.** Un chargeur adapté à un type de bloc batterie peut entraîner un risque d'incendie lorsqu'il est utilisé avec un autre bloc batterie.
- **Utilisez les outils électriques uniquement avec les blocs batteries spécifiés.** L'utilisation d'autres blocs batteries peut entraîner un risque de blessure et d'incendie.
- **Lorsque le bloc batterie n'est pas utilisé, tenez-le à distance d'autres objets métalliques, tels que des trombones, pièces, clés, clous, vis ou autres petits objets métalliques, qui peuvent créer un contact entre les deux bornes.** Un court-circuit des bornes de la batterie peut entraîner des brûlures ou un incendie.
- **En cas d'utilisation incorrecte, du liquide peut être éjecté de la batterie ; évitez tout contact avec ce liquide. En cas de contact accidentel, rincez avec de l'eau. Si du liquide entre en contact avec les yeux, consultez immédiatement un médecin.** Le liquide éjecté de la batterie peut entraîner une irritation ou des brûlures.
- **N'utilisez pas un bloc batterie ou un outil endommagé ou modifié.** Les batteries endommagées ou modifiées peuvent présenter un comportement imprévisible susceptible de provoquer un incendie, une explosion ou un risque de blessure.
- **N'exposez pas un bloc batterie ou un outil au feu ou à des températures trop élevées.** L'exposition au feu ou à des températures supérieures à 130 °C peut provoquer une explosion.
- **Respectez toutes les instructions de charge et ne chargez pas le bloc batterie ou l'outil en dehors de la plage de température spécifiée dans les instructions.** Ne pas charger la batterie correctement ou la charger à des températures hors de la plage spécifiée peut endommager la batterie et augmenter le risque d'incendie.

6. RÉPARATION

- **Faites réparer votre outil électrique par un réparateur qualifié qui n'utilise que des pièces de rechange d'origine.** Ceci

garantit le maintien de la sécurité de l'outil électrique.

- **N'entretenez jamais des blocs batteries endommagés.** L'entretien des blocs batteries doit être effectué uniquement par le fabricant ou par les fournisseurs de services autorisés.

4. DISPOSITIFS DE SÉCURITÉ RB441T/RB611T

1. INSPECTEZ LES PIÈCES AVANT LA MISE EN PLACE DU BLOC BATTERIE

- Examinez les vis, afin de vérifier leur serrage.
En cas de mauvais serrage, vous risquez un accident ou une cassure. Si vous constatez une vis desserrée, resserrez-la complètement.
- Examinez l'outil, à la recherche de pièces détériorées.
Les pièces s'usent au fil de l'utilisation. Recherchez également des pièces manquantes, défectueuses ou dégradées. Si vous devez remplacer ou réparer une pièce, procurez-vous la pièce de rechange chez le distributeur où vous avez acheté l'outil ou auprès de distributeurs agréés MAX CO., LTD.
Utilisez uniquement des pièces de rechange d'origine.

2. RÉGLEZ L'INTERRUPTEUR PRINCIPAL (Fig. 6.⑤) SUR « OFF », LE VERROUILLAGE DU DÉCLENCHEUR (Fig. 6.②) SUR « LOCK » ET ÔTEZ LE BLOC BATTERIE (Fig. 6.⑤), LORSQUE VOUS CHANGEZ LE BLOC BATTERIE, QUE VOUS REMPLACEZ OU RÉGLEZ LE FIL À LIGATURE, EN CAS D'ANOMALIE OU LORSQUE VOUS N'UTILISEZ PAS L'OUTIL.

Si vous laissez l'outil sous tension dans ces conditions, vous risquez de provoquer une panne ou de l'endommager.

3. GARDEZ EN PERMANENCE LES DOIGTS ET AUTRES PARTIES DU CORPS ÉLOIGNÉS DE LA PARTIE ENTRE LE BRAS ET LE GUIDE DE BOUCLAGE (Fig. 23).

Tout manquement à cette consigne peut entraîner des blessures graves.

- 4. GARDEZ LES DOIGTS ET AUTRES PARTIES DU CORPS ÉLOIGNÉS DU FIL À LIGATURE PENDANT L'UTILISATION.**
Tout manquement à cette consigne peut entraîner des blessures graves.
- 5. NE DIRIGEZ PAS L'OUTIL VERS UNE PERSONNE.**
Vous risquez de blesser une personne travaillant à proximité, si l'outil la touche. Au cours de l'utilisation, soyez très attentif à ne pas approcher les mains, les jambes ou toute autre partie du corps, du bras de l'outil.
- 6. NE PAS GARDER LE DOIGT SUR LE DÉCLENCHEUR EN DEHORS DE L'UTILISATION**
Tout manquement à cette consigne peut provoquer une ligature accidentelle, entraînant des blessures graves.
- 7. NE PAS UTILISER L'OUTIL DANS DES CONDITIONS ANORMALES**
Si l'outil n'est pas en état correct de fonctionnement, ou si vous remarquez une condition anormale, mettez-le immédiatement hors tension (interrupteur principal sur « OFF »), verrouillez le déclencheur et faites-le examiner pour réparation.
- 8. UNE FOIS LA BATTERIE EN PLACE, SI L'OUTIL SE MET EN MARCHÉ SANS APPUYER SUR LE DÉCLENCHEUR OU SI L'OPÉRATEUR REMARQUE UN ÉCHAUFFEMENT, UNE ODEUR OU UN BRUIT INHABITUEL, ARRÊTEZ-LE.**
Tout manquement à cette consigne peut entraîner des blessures graves. Renvoyez l'outil au distributeur pour une inspection de sécurité.
- 9. NE PAS MODIFIER L'OUTIL.**
Toute modification de l'outil a une incidence sur ses performances et sa sécurité. D'autre part, toute modification peut provoquer des blessures graves et annule la garantie.
- 10. MANIPULEZ L'OUTIL AVEC PRÉCAUTION**
Le laisser tomber ou le soumettre à un choc peut entraîner des pannes ou des dommages.

- 11. MAINTENIR L'OUTIL EN BON ÉTAT DE FONCTIONNEMENT**
Pour préserver le fonctionnement optimal et la sécurité de l'outil, faites-le réparer en cas d'usure ou de détérioration. Maintenez la poignée sèche et propre, exempte tout particulièrement d'huile et de graisse.
- 12. UTILISER UNIQUEMENT LE BLOC BATTERIE RECOMMANDÉ**
Si l'outil est branché sur une alimentation autre que le bloc batterie recommandé, telle qu'une batterie rechargeable, une batterie à anode sèche ou une batterie d'accumulateurs utilisée dans l'industrie automobile, il risque d'être endommagé, de tomber en panne, de chauffer, voire même de prendre feu. Ne branchez en aucun cas l'outil sur une alimentation autre que le bloc batterie recommandé.
- 13. POUR UN MEILLEUR FONCTIONNEMENT, CHARGER COMPLÈTEMENT LA BATTERIE AVANT UTILISATION**
Un nouveau bloc batterie, ou un non utilisé pendant une période prolongée, peut être partiellement déchargé et nécessiter une charge. Avant d'utiliser l'outil, rechargez le bloc batterie à l'aide du chargeur MAX indiqué.
- 14. PRÉCAUTION POUR LA CHARGE DE LA BATTERIE**
 - 14-1 Utilisez uniquement le chargeur MAX avec le bloc batterie MAX.**
Tout manquement à cette consigne peut provoquer une surchauffe/un incendie de la batterie, entraînant de graves blessures.
 - 14-2 Chargez la batterie à partir d'une prise secteur 100 - 240 V CA.**
Tout manquement à cette consigne peut provoquer une surchauffe, ou une charge incorrecte susceptible d'entraîner des blessures graves.
 - 14-3 N'utilisez jamais de transformateur.**
 - 14-4 Ne branchez pas le chargeur sur un alternateur de moteur produisant du courant continu.**
Le chargeur tomberait en panne ou serait endommagé par la surchauffe.

- 14-5 Évitez de charger la batterie sous la pluie, dans un endroit humide, ou soumis à des éclaboussures d'eau.**
Le fait de charger la batterie dans ces conditions risquerait de provoquer un choc électrique ou un court-circuit entraînant une détérioration liée à la surchauffe, avec risque d'incendie de l'outil.
- 14-6 Ne touchez pas le cordon d'alimentation avec la main ou un gant mouillé.**
Vous risqueriez un choc électrique.
- 14-7 Ne placez pas de chiffon ni autre obstruction sur le chargeur pendant la charge de la batterie.**
Cela provoquerait une surchauffe et une détérioration consécutive, voire même l'incendie de l'outil.
- 14-8 Conservez le bloc batterie et le chargeur à l'abri des flammes et de la chaleur.**
- 14-9 Ne chargez pas le bloc batterie à proximité de matières inflammables.**
- 14-10 Chargez le bloc batterie dans un endroit bien aéré.**
Évitez de charger le bloc batterie sous les rayons directs du soleil.
- 14-11 Chargez le bloc batterie dans une température ambiante comprise entre 41 °F (5 °C) et 104 °F (40 °C).**
- 14-12 Évitez d'utiliser le chargeur de batterie de façon continue.**
Laisser reposer le chargeur 15 minutes entre deux utilisations pour éviter tout problème de fonctionnement.
- 14-13 Tout objet obstruant les orifices de ventilation ou le connecteur du bloc batterie risque de provoquer un choc électrique ou des anomalies de fonctionnement.**
Éliminez toute poussière ou objet étranger du chargeur avant son utilisation.
- 14-14 Manipulez le cordon d'alimentation avec soin.**
Ne transportez pas le chargeur par son cordon d'alimentation. N'utilisez pas le cordon d'alimentation pour le débrancher de la prise murale ; vous risquez de l'endommager, de rompre les fils ou de provoquer un court-circuit. Ne laissez pas le cordon d'alimentation entrer en contact avec des outils à bord tranchant, des matériaux chauds ou de la graisse. Un cordon d'alimentation

endommagé doit être réparé ou remplacé.

- 14-15 Ne chargez pas des batteries non rechargeables au moyen de ce chargeur.**

- 14-16 Ce chargeur ne doit pas être utilisé par des enfants ou des personnes handicapées sans la surveillance d'un responsable.**

- 14-17 Les enfants doivent être surveillés afin de s'assurer qu'ils ne jouent pas avec le chargeur.**

- 14-18 Placez un couvercle (Fig. 2.⑳) sur les contacts (Fig. 2.㉓) du bloc batterie.**

Lorsque la batterie n'est pas utilisée, placez un couvercle sur ses contacts de façon à empêcher tout court-circuit.

- 14-19 Ne laissez pas les contacts (métalliques) de la batterie entrer en court-circuit.**

Un court-circuit des contacts entraînerait un fort courant provoquant un échauffement et une détérioration de la batterie.

- 14-20 Pendant l'été, ne laissez pas l'outil dans un véhicule ou exposé aux rayons directs du soleil. La forte température risquerait d'endommager le bloc batterie.**

- 14-21 Ne stockez pas un bloc batterie complètement déchargé. Un bloc batterie retiré de l'outil pendant une longue période risque de se détériorer s'il est complètement déchargé. Rechargez-le dès qu'il est déchargé.**

15. PORT DE GANTS DE PROTECTION CONSEILLÉ PENDANT L'UTILISATION

La ligature a des bords coupants. Pour éviter les blessures graves, ne touchez pas les bords coupants.

16. AVANT TOUTE UTILISATION

(Fig. 4 et 5) Vérifiez que les dispositifs de sécurité fonctionnent correctement. Dans le cas contraire, évitez d'utiliser l'outil.

5. CARACTÉRISTIQUES TECHNIQUES ET DONNÉES TECHNIQUES DE L'OUTIL

DESCRIPTION DU PRODUIT	Outil de ligature de barres MAX « TWINTIER »	
NUMÉRO DU PRODUIT	RB441T	RB611T
DIMENSIONS (bloc batterie compris)	(H) 11-1/2" (295mm) (I) 4-7/8" (125mm) (L) 13" (330mm)	(H) 11-7/8" (300mm) (I) 4-7/8" (125mm) (L) 13-7/8" (350mm)
POIDS (bloc batterie compris)	2,5 kg (5,6 lbs)	2,6 kg (5,7 lbs)
BATTERIE	Bloc batterie lithium-ion/JPL91450A	
TEMPÉRATURE DE FONCTIONNEMENT	14 °F à 104 °F (14 °F à 104 °F)	
HUMIDITÉ	80 % d'humidité relative au maximum	

<CHARGEUR DE BATTERIE>

DESCRIPTION DU PRODUIT	Chargeur de batterie lithium-ion
MODÈLE	JC925A
ENTRÉE	100-240 V CA 50/60 Hz 2,2 A
SORTIE	14,4 V CC 4 A, 18 V CC 4 A, 25,2 V CC 2,8 A
POIDS	1,7 lbs (0,7 kg)
PLAGE DE TEMPÉRATURES DE FONCTIONNEMENT	41 °F à 104 °F (5 °C à 40 °C)
PLAGE D'HUMIDITÉ DE FONCTIONNEMENT	80 % d'humidité relative au maximum

<BLOC BATTERIE>

DESCRIPTION DU PRODUIT	Bloc batterie lithium-ion
MODÈLE	JPL91450A
TENSION NOMINALE	14,4 V CC (3,6 V x 4 cellules)
CAPACITÉ NOMINALE	4,9 Ah (4 900 mAh)
TEMPS DE CHARGE	Charge rapide – env. 60 min. (env. 80 % de la capacité) Charge complète – env. 80 min. (100 % de la capacité)
ACCESSOIRES	Couvercle de batterie
POIDS	1,1 lbs (0,5 kg)
TEMPÉRATURE DE CHARGE	41 °F à 104 °F (5 °C à 40 °C)
PLAGE DE TEMPÉRATURES DE FONCTIONNEMENT	32 °F à 104 °F (0 °C à 40 °C)
PLAGE D'HUMIDITÉ DE FONCTIONNEMENT	80 % d'humidité relative au maximum

Ligatures par charge (*dans les conditions suivantes : température normale, batterie non utilisée, complètement chargée)	Env. 5 000 ligatures
---	----------------------

N'utilisez pas l'outil électrique sous la pluie, près de projections d'eau, dans un endroit mouillé ou humide. L'utilisation de l'outil dans ces conditions ou des conditions similaires augmente le risque de choc électrique, de dysfonctionnement dangereux et de surchauffe.

8. SPÉCIFICATIONS DU FIL

FIL À LIGATURE			TW1061T	TW1061T-PC	TW1061T-EG	TW1061T-S
TYPE DE FIL			Fil recuit	Fil à revêtement multiple	Fil électrozingué	Fil inoxydable
DIAMÈTRE			19GA (1,0 mm)	19GA (1,1 mm)	19GA (1,0 mm)	19GA (1,0 mm)
LIGATURES/ BOBINE	RB441T	#3 × #3 (10 mm × 10 mm)	Env. 265 ligatures	Env. 230 ligatures	Env. 265 ligatures	Env. 265 ligatures
		#4 × #4 (13 mm × 13 mm)	Env. 240 ligatures	Env. 210 ligatures	Env. 240 ligatures	Env. 240 ligatures
		#7 × #5 × #5 (22 mm × 16 mm × 16 mm)	Env. 170 ligatures	Env. 150 ligatures	Env. 170 ligatures	Env. 170 ligatures
	RB611T	#5 × #5 (16 mm × 16 mm)	Env. 205 ligatures	Env. 170 ligatures	Env. 205 ligatures	Env. 205 ligatures
		#7 × #7 (22 mm × 22 mm)	Env. 170 ligatures	Env. 145 ligatures	Env. 170 ligatures	Env. 170 ligatures
		#12 × #5 (38 mm × 16 mm)	Env. 150 ligatures	Env. 125 ligatures	Env. 150 ligatures	Env. 150 ligatures
		#12 × #5 × #5 (38 mm × 16 mm × 16 mm)	Env. 140 ligatures	Env. 115 ligatures	Env. 140 ligatures	Env. 140 ligatures


• RB441T/RB611T n'est pas compatible avec les séries TW898 et TW1525.

9. APPLICATIONS


- Panneaux de béton préfabriqués
- Fondation de bâtiments
- Immeuble commercial
- Ponts et chaussées
- Canalisations de chauffage de sol

10. TAILLES DE BARRES UTILISABLES


■ Combinaison de 2 barres

		Minimum	Maximum
	RB441T	#3 × #3 (10mm × 10mm)	#7 × #7 (22mm × 22mm) #8 × #6 (25mm × 19mm)
	RB611T	#5 × #5 (16mm × 16mm)	#10 × #9 (32mm × 29mm) #13 × #6 (41mm × 19mm)

■ Combinaison de 3 barres

		Minimum	Maximum
	RB441T	#3 × #3 × #3 (10mm × 10mm × 10mm)	#7 × #5 × #5 (22mm × 16mm × 16mm) #8 × #4 × #4 (25mm × 13mm × 13mm)
	RB611T	#3 × #3 × #3 (10mm × 10mm × 10mm)	#12 × #5 × #5 (38mm × 16mm × 16mm)


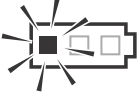



■ Combinaison de 4 barres

		Minimum	Maximum
	RB441T	#3 × #3 × #3 × #3 (10mm × 10mm × 10mm × 10mm)	#5 × #5 × #4 × #4 (16mm × 16mm × 13mm × 13mm)
	RB611T	#3 × #3 × #3 × #3 (10mm × 10mm × 10mm × 10mm)	#6 × #6 × #6 × #6 (19mm × 19mm × 19mm × 19mm)

11. INSTRUCTIONS CONCERNANT LA BATTERIE

Information sur l'indicateur du niveau de batterie

- (1) Pour vérifier le niveau de batterie (en dehors de la période de charge ou d'utilisation de l'outil de charge), appuyez sur le bouton de vérification du niveau de batterie (Fig. 33.⑳).
- (2) La jauge de niveau de batterie (Fig. 33.㉑) s'allume en fonction du niveau de batterie.

	Niveau de batterie : 0 %	Niveau de batterie : environ 0 à 10 %	Niveau de batterie : environ 10 à 40 %	Niveau de batterie : environ 40 à 70 %	Niveau de batterie : environ 70 à 100 %
Jauge du niveau de batterie	 Tous les témoins sont éteints	 Un témoin rouge clignote	 Un témoin rouge est allumé	 Deux témoins rouges sont allumés	 Trois témoins rouges sont allumés

Durée de vie du bloc batterie

Si vous constatez l'une des conditions décrites ci-dessous, le bloc batterie est en fin de vie. Procédez à son remplacement.

Bien que le bloc batterie soit correctement chargé (complètement chargé), vous constatez une baisse importante de sa puissance au niveau du temps de ligature.

AVIS

- **Ne chargez pas le bloc batterie dans ces conditions. En cas de ralentissement de la vitesse de rotation du moteur, vous pouvez considérer le bloc batterie comme presque épuisé. Si vous continuez à utiliser l'outil, vous provoquez sa décharge complète et risquez non seulement de réduire la longévité du bloc batterie, mais également de provoquer un dysfonctionnement de l'outil.**
- **N'utilisez pas un bloc batterie en fin de vie.**
- **Vous risquez de provoquer un dysfonctionnement de l'outil. Le fait de recharger un bloc batterie qui est hors de service risque également de provoquer un mauvais fonctionnement du chargeur.**
- **Ne jetez pas les blocs batteries/batteries au feu ou dans l'eau. Les blocs batteries/batteries doivent être collectés, recyclés ou mis au rebut d'une manière respectueuse de l'environnement.**
- **Protégez la batterie contre la chaleur et l'exposition au soleil. Il existe un risque d'explosion.**
- **Chargez le bloc batterie à une température comprise entre 41 °F (5 °C) et 104 °F (40 °C).**

Recyclage des batteries Li-ion

Le produit que vous avez acheté est alimenté par une batterie Li-ion recyclable. À la fin de sa durée de vie utile, dans plusieurs États et conformément à plusieurs lois, il est illégal de mettre cette batterie au rebut dans les déchets municipaux. Appelez le 1-800-8-BATTERY pour plus d'informations sur la manière de recycler cette batterie.

Le bloc batterie MAX contient des batteries Li-ion qu'il est interdit de jeter avec les ordures ménagères. Consultez votre organisme local de collecte des déchets pour connaître les possibilités de recyclage ou de mise au rebut.



ATTENTION

Lorsque vous mettez le bloc batterie au rebut, assurez-vous de placer un couvercle de batterie sur ses contacts (en le fixant avec du ruban adhésif isolant) afin d'éviter un possible court-circuit.

12. UTILISATION

1. Méthode de réglage du fil à ligature

(Fig. 6) Réglez l'interrupteur principal (15) sur « OFF », le déclencheur (2) sur « LOCK » et ôtez le bloc batterie (5).



ATTENTION

- Veillez à ne pas laisser tomber le fil à ligature ni à lui faire subir d'impact violent. Cela pourrait endommager l'outil et provoquer un dysfonctionnement.
- Faites attention à l'extrémité du fil lorsque vous ramassez le fil à ligature. Vous pourriez vous blesser.

1-1 (Fig. 9) Appuyez sur le bouton de désengagement (8) de l'outil et vérifiez qu'il est maintenu par le verrou du levier (9).

1-2 (Fig. 10) Étirez l'extrémité du fil à ligature enroulé.

ASSUREZ-VOUS D'UTILISER UNIQUEMENT LE FIL À LIGATURE RECOMMANDÉ (série MAX TW1061T).

L'utilisation d'un fil autre que celui spécifié risque de provoquer la panne de l'outil. Par conséquent, veillez à n'utiliser que la série spécifiée MAX TW1061T.

Le RB441T/RB611T n'est pas compatible avec les séries TW898 et TW1525.

N'UTILISEZ PAS DE FIL ROUILLÉ

L'utilisation d'un fil rouillé pourrait provoquer des anomalies de fonctionnement de l'outil.

1-3 (Fig. 11) Faites pivoter la butée du magasin (6) de 45° dans le sens inverse des aiguilles d'une montre.

1-4 (Fig. 12,13) Ouvrez le capot du magasin (24) et mettez en place le fil à ligature dans le magasin (7) tout en orientant vers le haut le côté de la fente de maintien (25) de la bobine.

1-5 (Fig. 14) Saisissez l'outil de la main gauche et tenez l'extrémité du fil de la main droite, puis ôtez le fil de la fente de maintien.

AVIS

Les 2 extrémités d'un nouveau fil à ligature sont torsadées.

1-6 (Fig. 15) Redressez l'extrémité du fil et insérez le fil torsadé dans le guide file (19) parallèle.

1-7 (Fig. 16) Vérifiez par la fenêtre que la partie torsadée du fil a dépassé les deux engrenages d'alimentation (18).

1-8 (Fig. 17) Appuyez sur le verrou du levier (9) vers le haut et vérifiez que le bouton de désengagement est relevé.

1-9 (Fig. 18) Fermez le capot du magasin et tournez la butée du magasin de 45° dans le sens des aiguilles d'une montre.

Si la fenêtre est sale

Ouvrez la fenêtre (Fig. 1.17) et essuyez la saleté à l'intérieur de celle-ci à l'aide d'un chiffon. Fermez à nouveau la fenêtre après l'avoir nettoyée en vous assurant qu'aucun corps étranger ne peut pénétrer à l'intérieur de l'outil.

2. Méthode d'utilisation du RB441T/RB611T

(Fig. 6) Réglez l'interrupteur principal (15) sur « OFF », le déclencheur (2) sur « LOCK » et ôtez le bloc batterie (5).

2-1 (Fig. 19) Insérez le bloc batterie sur l'outil jusqu'à ce que vous entendiez un déclic.

2-2 (Fig. 20) Lorsque l'interrupteur principal (15) est sur « ON », le crochet (Fig. 1.16) de l'extrémité pivote automatiquement pour l'initialisation ; n'approchez en aucun cas les doigts des parties tournantes et mobiles. Réglez l'interrupteur principal sur « ON » et le verrou du déclencheur (2) sur « UNLOCK ».

2-3 (Fig. 21) Inclinez l'outil à 45° par rapport à l'intersection des barres.

2-4 (Fig. 22) Alignez le repère central (11) sur le centre des barres croisées.

2-5 Après avoir tiré sur le déclencheur, l'outil effectue automatiquement une série d'actions de ligature (chargement, coupe, saisie et ligature).



AVERTISSEMENT

- (Fig. 23) Lorsque l'interrupteur principal (Fig.1.15) est sur « ON », le crochet (Fig.1.16) de l'extrémité pivote automatiquement pour l'initialisation ; n'approchez en aucun cas les doigts des parties tournantes et mobiles.

- **Ne touchez pas les parties tournantes et mobiles telles que le crochet ou le fil à ligature pendant le travail de ligature (fonctionnement de l'outil).**

3. Méthode de retrait du fil à ligature

(Fig. 6) Réglez l'interrupteur principal (15) sur « OFF », le déclencheur (2) sur « LOCK » et ôtez le bloc batterie (5).

- 3-1 (Fig. 9) Appuyez sur le bouton de désengagement (8) de l'outil et vérifiez qu'il est maintenu par le verrou du levier (9).
- 3-2 (Fig. 11) Faites tourner la butée du magasin (6) pour ouvrir le capot du magasin.
- 3-3 (Fig. 24) Ôtez le fil à ligature du magasin.
- 3-4 (Fig. 25) Ôtez le fil à l'aide du morceau de plastique du guide fil.

4. Lorsque le fil à ligature est épuisé

(Fig. 26) Normalement, le morceau de plastique se détache lorsqu'il est complètement utilisé et peut être jeté séparément comme plastique et fil métallique. (Environ 8" (20 cm) demeurent après une utilisation normale)

(Fig. 6) Réglez l'interrupteur principal (15) sur « OFF », le déclencheur (2) sur « LOCK » et ôtez le bloc batterie (5).

5. Réglage de la tension du fil

(Fig. 27.13) Cette molette permet de régler légèrement la force de tension du fil. Pour augmenter la tension, tournez la molette dans le sens inverse des aiguilles d'une montre. Pour réduire la tension, tournez la molette dans le sens des aiguilles d'une montre.

6. Fonction d'arrêt automatique

Cet outil dispose d'une fonction d'« arrêt automatique » qui permet d'économiser la batterie lorsque l'outil n'est pas utilisé.

En cas de non utilisation pendant 30 minutes, l'outil s'arrête automatiquement. Pour remettre en marche l'outil après un arrêt automatique, réglez l'interrupteur principal sur « OFF », puis sur « ON ».

7. Conseils pour un bon serrage

- 7-1 (Fig. 21) Inclinez l'outil à 45° par rapport à l'intersection des barres.
- 7-2 (Fig. 22) Alignez le repère central (11) sur le centre des barres croisées.
- 7-3 (Fig. 28) Placez l'outil perpendiculairement à la surface du treillis d'armature.

Pendant le fonctionnement

Ne déplacez pas l'outil avant la fin automatique de l'opération de ligature.

- 7-4 (Fig. 29) Alternez l'inclinaison des ligatures.
- 7-5 (Fig. 30) Faites une ligature croisée.
Pliez le nœud de la première ligature avant d'effectuer la seconde.

8. Méthode de rechargement d'un fil à ligature précédemment utilisé

(Fig. 31) Insérez les 2 fils dans le guide file sans les torsader (19).

9. (Fig.1) Installation et retrait du crochet de ceinture sur l'outil

Le crochet de ceinture peut être installée à droite ou à gauche de l'outil.

Installation/retrait du crochet de ceinture

(Installation)

Insérez le crochet de ceinture dans la fente située sur l'outil. Fixez-le à l'aide d'une vis."

(Retrait)

Desserrez la vis, puis retirez le crochet de ceinture."



AVERTISSEMENT

- **Lorsque vous utilisez le crochet de ceinture ou que vous modifiez la position, réglez l'interrupteur principal (15) sur « OFF », le déclencheur (2) sur « LOCK » et ôtez le bloc batterie (5).**

Le non-respect de cette consigne peut entraîner un démarrage involontaire de l'outil et par là même un accident.

- **Avant d'utiliser le crochet de ceinture, vérifiez que le crochet est fermement fixé à l'outil.**

L'utilisation d'un crochet de ceinture mal installé peut entraîner des blessures corporelles.

- **Serrez fermement la vis authentique désignée.**

Si la vis se desserre en raison de vibrations ou autres, générées par le fonctionnement, elle pourrait provoquer un accident en tombant.

- **Lorsque vous utilisez le crochet de ceinture, l'outil doit être fermement fixé afin qu'il ne puisse pas tomber.**

Une chute de l'outil peut provoquer un accident.

13. ENTREPOSAGE ET ENTRETIEN

Ne pas entreposer l'outil dans un endroit exposé au froid. Le conserver dans un endroit chaud. Si l'outil reste inutilisé, il faut le conserver dans un endroit chaud et sec. Le mettre hors de portée des enfants.

ÔTEZ LA BOBINE DU FIL À LIGATURE

Retirez la bobine de l'outil quand elle est vide.

RANGEMENT DE L'OUTIL

Lorsque vous avez terminé le travail de ligature ou si l'outil ne doit pas être utilisé pendant un certain temps, réglez l'interrupteur principal (Fig. 1.⑮) sur « OFF », le verrou du déclencheur (Fig. 1.②) sur « LOCK » et ôtez le bloc batterie (Fig. 1.⑤). L'outil et ses accessoires doivent être rangés dans un endroit sec et bien aéré où la température ne dépasse pas 104 °F (40 °C). Afin d'éviter un possible court-circuit, le bloc batterie, avec le couvercle en place, (Fig. 2.⑳), doit être rangé dans un endroit sec et bien aéré où la température ne dépasse pas 86 °F (30 °C).

ENTRETIEN

Ne soufflez pas d'air entre les engrenages d'alimentation (Fig.1.⑱) et les crochets (Fig.1.⑯).

De la poussière pourrait pénétrer dans l'appareil et provoquer des dysfonctionnement.

Si vous entendez trois bips brefs et répétés, essuyez doucement le côté des capteurs (Fig.32.㉔) et la partie supérieure de la lentille (Fig.32.㉕) à l'aide d'un chiffon doux ou d'un coton-tige.

Essuyez l'outil avec un chiffon doux et sec. N'utilisez pas de chiffon humide ni de substances volatiles telles que du diluant ou du benzène.

Ne lubrifiez pas l'appareil.

Ne lubrifiez en aucun cas cet appareil. Une lubrification retirerait la graisse située à l'intérieur de l'outil et entraînerait un dysfonctionnement de l'outil.

14. SONNERIES D'AVERTISSEMENT ET PROCÉDURES À SUIVRE

Cet outil fait retentir une sonnerie dans les conditions décrites ci-dessous. Si la sonnerie retentit, suivez les procédures appropriées aux conditions décrites ci-dessous.



AVERTISSEMENT

- Si la condition décrite ci-dessous se produit, réglez l'interrupteur principal (Fig. 1.⑮) sur « OFF », le verrou du déclencheur (Fig. 1.②) sur « LOCK » et ôtez le bloc batterie (Fig. 1.⑤) avant de suivre les procédures.
- En aucune circonstance vous ne devez toucher les éléments de liaison ou les parties rotatives de l'extrémité lorsque vous réglez l'interrupteur principal sur « ON ».

<Types de sonnerie et procédures à suivre>

Types de sonnerie	Cause possible	Procédure à suivre
Une fois (bip, bip, bip...)	Le fil est coincé dans le crochet (Fig. 1.⑯)	Vérifiez si le fil ou autre chose est bloqué dans le crochet
	Le moteur est chaud	Laissez l'outil reposer et refroidir
Deux fois (bip bip, bip bip, bip bip...)	Batterie faible	Chargez le bloc batterie
	Le bloc batterie n'est pas inséré à fond	Insérez correctement le bloc batterie
Trois fois (bip bip bip, bip bip bip, bip bip bip,...)	Le fil à ligature est épuisé	Remplacez-le par un nouveau fil à ligature
	Le fil à ligature est coincé	Ouvrez le capot du magasin (Fig. 12.⑳) et débloquez le fil coincé
	Essuyez le capteur dans le magasin.	Essuyez doucement le côté des capteurs et des lentilles à l'aide d'eau ou d'un coton-tige.
Bip continu à tonalité élevée (Biiip...)	Le guide de bouclage (Fig.1.⑩) est ouvert (RB441T)	Vérifiez le diamètre des barres prises en charge
Carillon continu à tonalité élevée et basse (Bip poo bip poo...)	Structure interne ; panne au niveau du mécanisme interne du moteur	Cessez immédiatement l'utilisation et réglez l'interrupteur principal (Fig. 6.⑮) sur « OFF », le verrou du déclencheur (Fig. 6.②) sur « LOCK » et ôtez le bloc batterie (Fig. 6.⑤) avant de suivre les procédures. Puis, contactez le distributeur auprès de qui vous avez acheté l'outil ou des distributeurs agréés MAX CO., LTD.
Bip unique et bref (Pobip)		

<Si aucune sonnerie ne retentit mais que vous suspectez un dysfonctionnement>

Symptôme	Cause possible	Procédure à suivre
L'interrupteur principal est réglé sur « ON », mais ne fonctionne pas	La batterie est complètement déchargée	Mettez en place une nouvelle batterie et vérifiez si l'outil fonctionne
Le produit ne fonctionne pas	La fonction d'arrêt automatique est actionnée	Essayez de régler l'interrupteur principal (Fig. 1.⑮) de OFF à ON
La ligature n'est pas correcte	Le fil touche les barres pendant la ligature	Faites une ligature en veillant à ce que le fil ne touche pas les barres
Détorsadé	La taille des barres n'est pas applicable	Utilisez des diamètres de barre pris en charge
	La molette de réglage de la tension est trop serrée	Régalez la molette de réglage de la tension (Fig. 1.⑬)
La tension est trop lâche	La section ligaturée ne se trouve pas au niveau du repère central (Fig. 22.⑪)	Alignez le repère central sur le centre du treillis d'armature et appuyez sur le déclencheur
	La taille des barres n'est pas applicable	Utilisez des diamètres de barre pris en charge
	La molette de réglage de la tension est trop lâche	Régalez la molette de réglage de la tension plus fermement (Fig. 1.⑬)
L'aspect de la ligature est déformé	Pièces usées ou cassées	Cessez immédiatement l'utilisation et réglez l'interrupteur principal (Fig. 6.⑮) sur « OFF », le verrou du déclencheur (Fig. 6.②) sur « LOCK » et ôtez le bloc batterie (Fig. 6.⑤) avant de suivre les procédures. Puis, contactez le distributeur auprès de qui vous avez acheté l'outil ou des distributeurs agréés MAX CO., LTD.
Fréquence accrue des blocages		