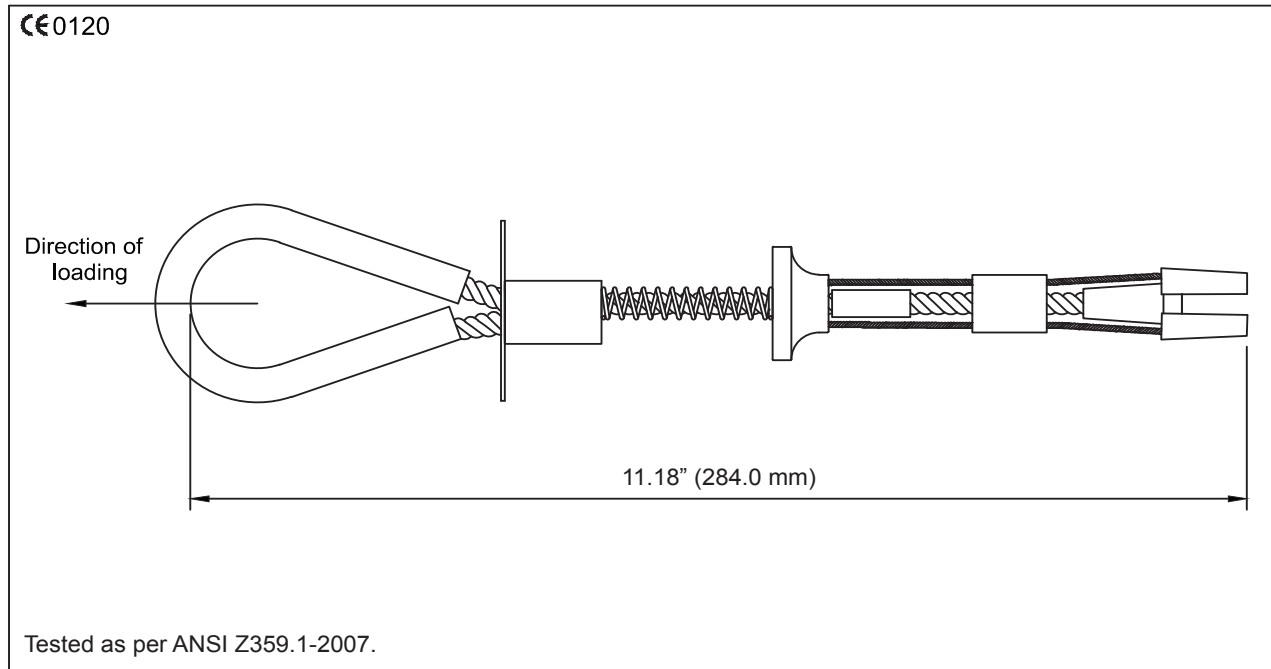


PN: A345000

TECHNICAL SPECIFICATIONS

3/4" Reusable Concrete Anchor 5000 lbs.

Reusable Concrete Anchor 3/4" Hole. 5000 lbs. Conforms to ANSI Z359.1-2007.



- DESIGN:**
- Anchor is capable of being installed on concrete having minimum thickness of 5.9" through a predefined hole of 3/4" diameter.
 - Easy to install on a concrete structure using a single hand.

MATERIAL: Cable: Galvanized steel 0.24" diameter
Clamping Jaws: Stainless steel

MINIMUM BREAKING STRENGTH: 5000 lbs.

CONFORM TO NORM: Meets or exceeds ANSI Z359.1-2007

WEIGHT: 0.33 lbs. ± 0.02 lbs.