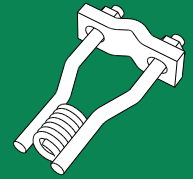


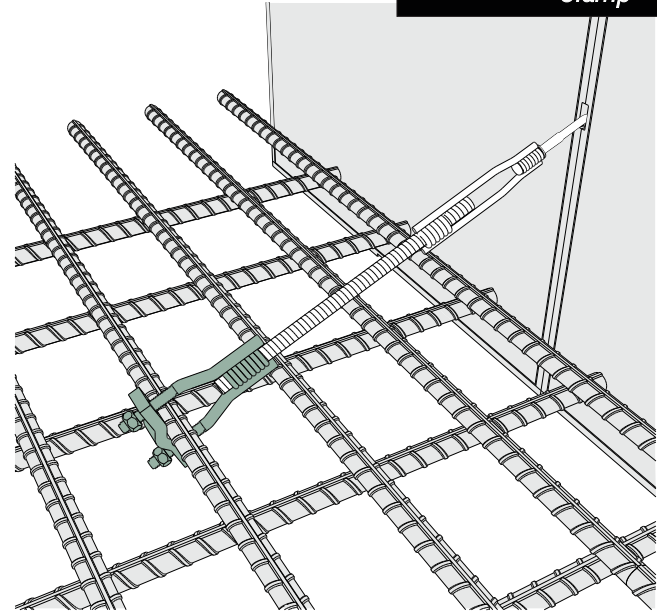
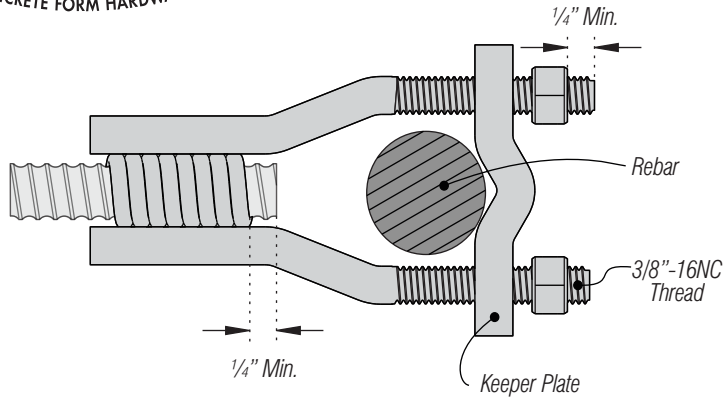


Rebar Coil Clamp™

One-Sided Forming Hardware



RHC Rebar Coil Clamp™



Rebar Coil Clamp

The Steel Dog® Rebar Clamp is a heavy duty version of our popular Rebar Hook. This clamp will allow you to tie onto rebar up to size #11.

FEATURES:

- Symmetrical design
- Hook held in position by the connecting threaded rod.
- Attach to up to #11 rebar.

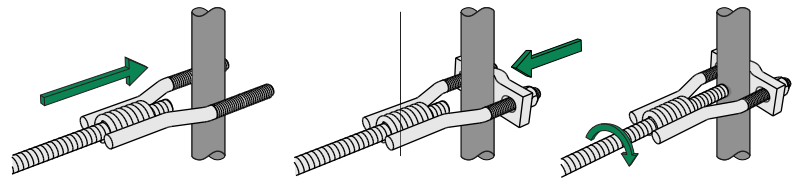
MATERIAL: Carbon steel. Available in other finishes on special order.

FINISH: None.

APPLICATIONS:

- Stay-Form blind side wall ties
- Tying low edge forms to rebar mats for slab pours
- Tying bottoms of forms into vertical mudslab rebar
- Self-supporting insert for shotcrete walls

Installation:

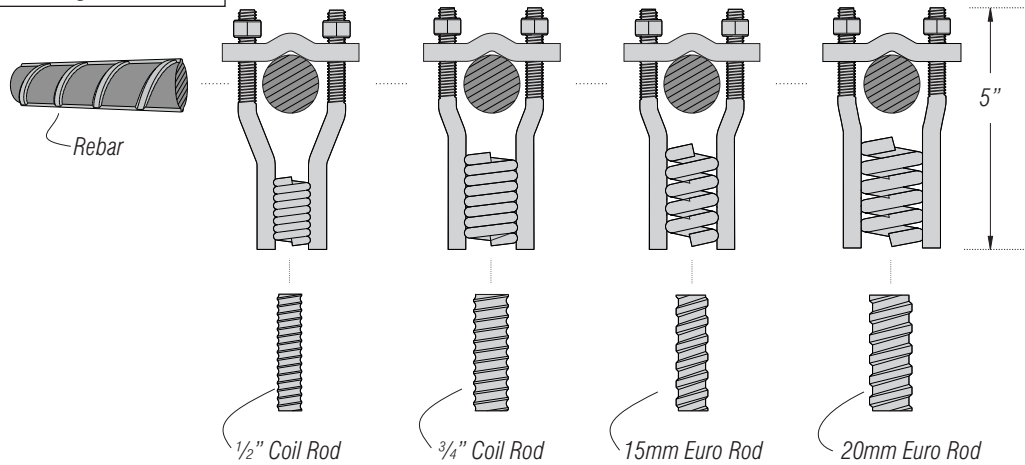


1. Push onto rebar

2. Screw Keeper Plate against Rebar

3. Cinch Rebar between Rod and Keeper Plate by either turning Rod or tightening Bolts

Ordering Information



Product Code	RHC-4	RHC-6	RHC-D15	RHC-D20
Safe Working Load*	3000 lb	3000 lb	3000 lbs	3000 lbs
Carton Quantity	50	50	50	50
Carton Weight	33 lbs	43 lbs	44 lbs	49 lbs
Max. Rebar Size	#11	#11	#11	#11
Coil Thread	1/2" Coil	3/4" Coil	15mm Coil	20mm Coil

*2-to-1 safety factor