

RH

Rebar Hooks

MADE IN USA

Right Angle Connector: Threaded Rod to Rebar

Steel Dog® **Rebar Hooks™** are a low-cost, fast means of connecting threaded rod at right angles anywhere along the length of rebar for variety of purposes. The unique arrangement of two opposing hooks makes it easy to make a field connection to rebar with limited clearance.

FEATURES:

- Unique “opposed hook” design provides secure attachment in limited space
- Hook held in position by the connecting threaded rod. **NO SEPARATE NUTS OR OTHER FASTENERS REQUIRED.**
- Different hooks for **four standard threaded rod types**
- Attach to up to #8 rebar (for larger sizes, see Rebar Coil Connector)

MATERIAL: Carbon steel. Some sizes available in stainless steel on special order.

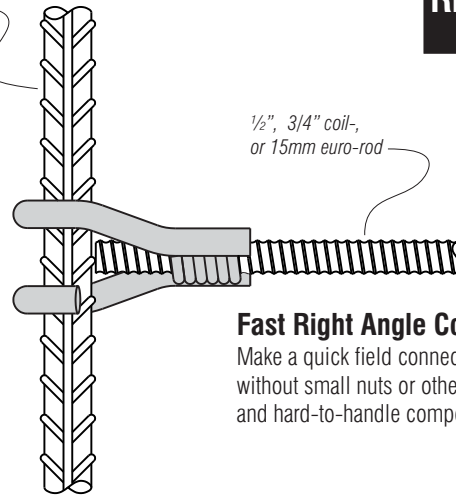
FINISH: None. Electroplated zinc, galvanized, and epoxy finishes available: consult factory.

MAXIMUM SAFE WORKING LOAD: See chart

APPLICATIONS:

- Stay-Form blind side wall ties
- Tying low edge forms to rebar mats for slab pours
- Tying bottoms of forms into vertical mudslab rebar
- Self-supporting insert for shotcrete walls

Attach to up to #8 rebar



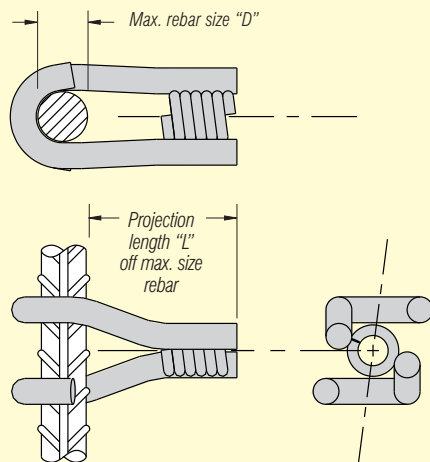
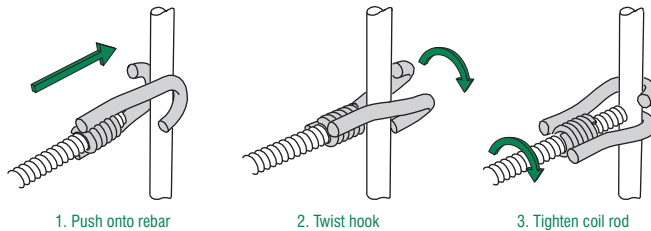
1/2", 3/4" coil-, or 15mm euro-rod

Fast Right Angle Connection

Make a quick field connection to rebar without small nuts or other easy-to-lose and hard-to-handle components.



Installation:



Standard Rebar Hooks

Product Code

Safe Working Load (lbs)

Max. Size Rebar “D”

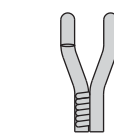
Threaded Rod Type

Projection length “L” (see dwg)

No. Of Coil Turns

Box Quantity

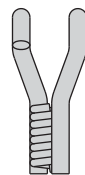
Box Weight



RH-6 | **RH-6NC**



RH-48 | **RH-48NC**



RH-8



RH-8D

1800

3000

3000

3000

#6

#8

#8

#8

1/2" coil | 1/2"-13NC

1/2" coil | 1/2"-13NC

3/4"

15mm*

2-1/4"

3-1/4"

3-1/4"

3-1/4"

6

8

8

8

100

50

50

50

40

40

44

44

*such as Dywidag THREADBAR or Dayton D/R Thread Bar

Applications



Attachment of plywood-backed form liners for slip-formed highway barriers. Galvanized RH-6.



RH-48 Rebar Hooks and LCT-7 Turnbuckle ties used to tie Steel Ply edge forms to rebar mat on 20' x 30' x 3' slab pour.

CAUTION

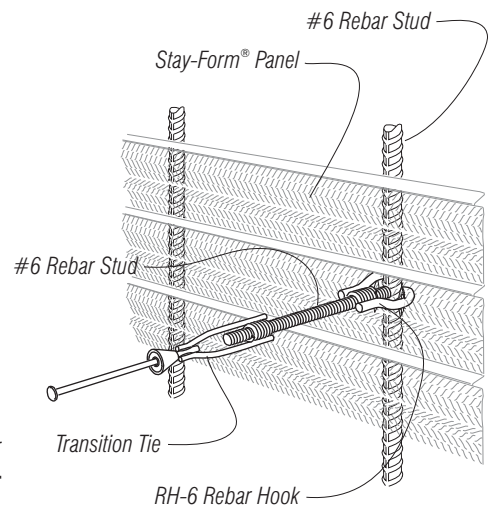
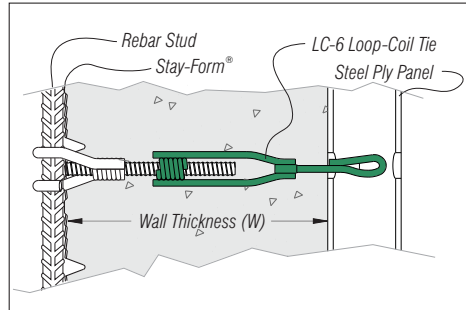
- DO NOT EXCEED THE SAFE WORKING LOAD (see chart on page one)
- REBAR HOOKS ARE INTENDED ONLY FOR MAKING TEMPORARY ATTACHMENTS TO REBAR FOR THE PLACEMENT OF CONCRETE. NOT FOR USE AS A PERMANENT LOAD CARRYING ELEMENT
- BE SURE THAT THE THREADED ROD EXTENDS AT LEAST 1/4" BEYOND COIL
- DO NOT BEND, TWIST OR HAMMER REBAR HOOKS
- DO NOT USE ANY PARTS THAT APPEAR TO BE DAMAGED, CRACKED, OR ABUSED
- NEVER USE FOR LIFTING PURPOSES

Stay-Form Blind Side Walls



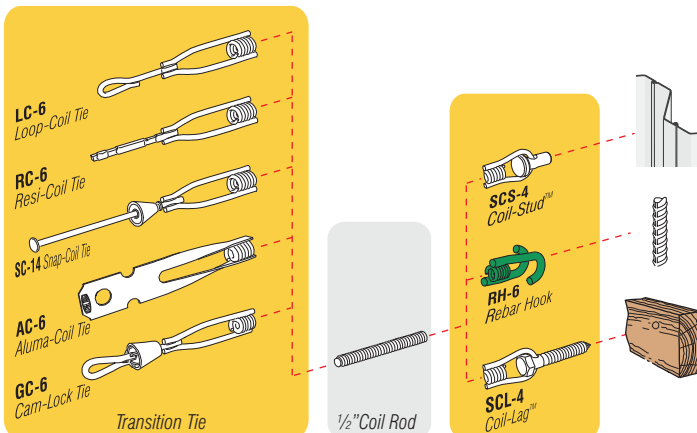
Stay-Form blind side wall tie using RH-6's and LC-6 Loop-Coil Ties.

A blind side wall is a freestanding concrete wall formed inches off from an existing wall--too close for removable form panels to be used on the "blind" side. A stay-in-place steel mesh--such as **Amico Stay-Form**--forms the blind side, and is attached to reusable formwork with RH-6's and Steel Dog Transition Ties.



Rebar Hooks: Part of an Interchangeable Form Tie System

The Steel Dog® **Rebar Hooks** are part of a versatile family of off-the-shelf, interchangeable forming components using industry-standard 1/2" coil rod as the threaded element. Choose the components for your form system and application and get an adjustable, labor-saving, no lead-time forming solution.



For Larger Rebar:

See also the Steel Dog **RHC Rebar Coil Clamp**, for attachment to up to #11 rebar, using a keeper plate and nuts.

