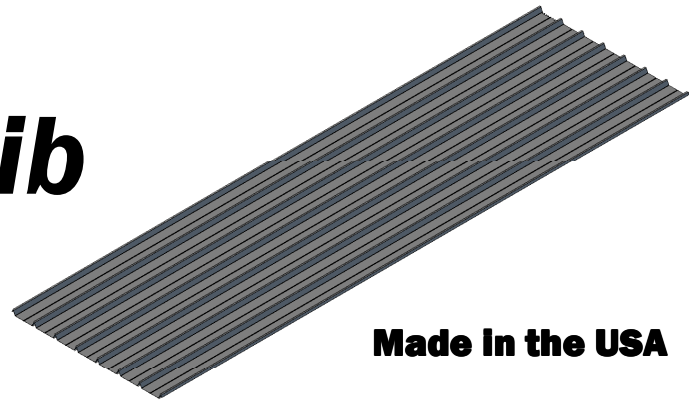




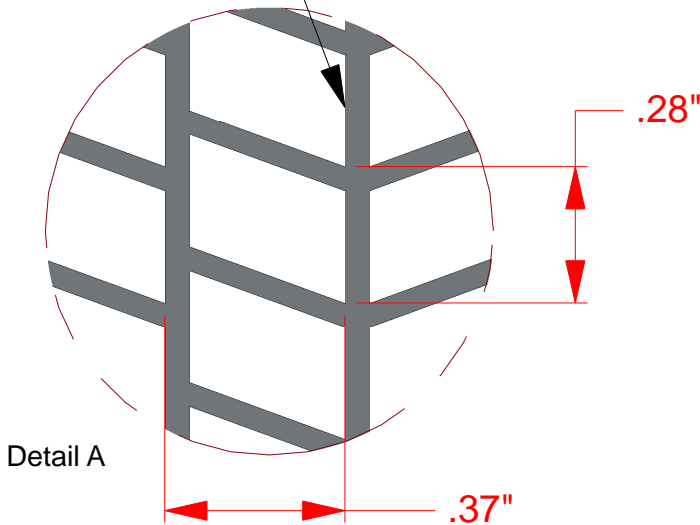
CONSTRUCTION PRODUCTS

Stay Rite™ Metal Rib



Made In the USA

Expanded Metal
between
Solid Ribs



Part Number	115-0001	
Sheet Size	27.125" x 97"	18 sq. ft
Bundle	5 Sheets	90 sq. ft
Skid	250 Sheets (50 Bundles)	4500 sq. ft

Stay Rite™ Metal Rib is manufactured from Hot Dipped Galvanized Steel to meet ASTM A653 G60-A60

